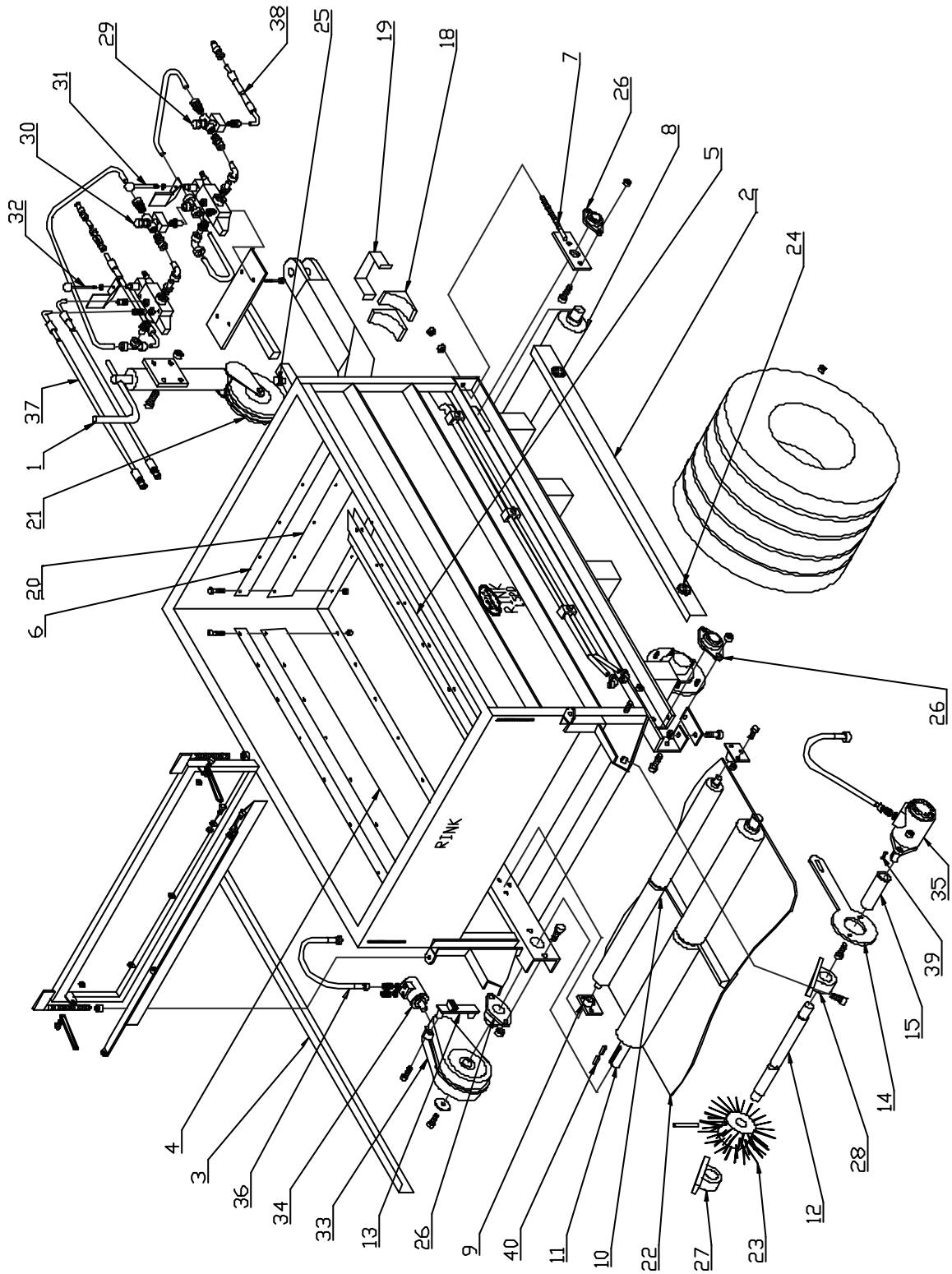


Rink 3045  
Most important parts



Part No	Designation	Order No.	Remarks
1	Jockey wheel with fixture	15222-3045	
2	Belt cover right	15411-3045	
3	Belt cover left	15412-3045	
4	Stripper left	15426-3045	
5	Stripper right	15009-3045	
6	Clamp rail	15319-3045	
7	Clamping device	15704-3045	
8	Transport roller front	16049-3045	
9	Pedestal	15703-3045	
10	Intermediate roller	16045-3045	
11	Transport roller rear	16072-3045	
12	Shaft for brush roller	16018-3045	
13	Torque support for conveyor belt drive	16039-3045	
14	Torque support for brush roller drive	16055-3045	
15	Connecting sleeve	15128-3045	
16	Complete lock-in lever brake	11007-3045	Special equipment
17	Lighting unit	11009-3045	Special equipment
18	Wheel chock	11016-3045	
19	Holder for wheel chock	10123-3045	
20	Rubber stripper front	11037-3045	
21	Rubber tyre for jockey wheel	10303-3045	
22	Conveyor belt	10385-3045	
23	Spreading roller section	10130-3045	
24	Round reflector	11013-3045	
25	Star handle	11041-3045	
26	Flange bearing	11035-3045	Lubrication instructions !
27	Pedestal bearing	10133-3045	Lubrication instructions !
28	Pedestal bearing	10165-3045	Lubrication instructions !
29	Regulator	10336-3045	
30	Regulator	10335-3045	
31	Brush roller shift lever	10668-3045	
32	Conveyor belt shift lever	10669-3045	
33	Conveyor belt gear	10344-3045	Oil change instructions !
34	Hydraulic motor for transport roller	10367-3045	
35	Hydraulic motor for brush roller	10140-3045	
36	Hydraulic hose	10659-3045	
37	Hydraulic hose	10666-3045	
38	Hydraulic hose	10657-3045	
39	Feather key A 8x7x30	11000-3045	
40	Feather key A 10x8x30	11040-3045	