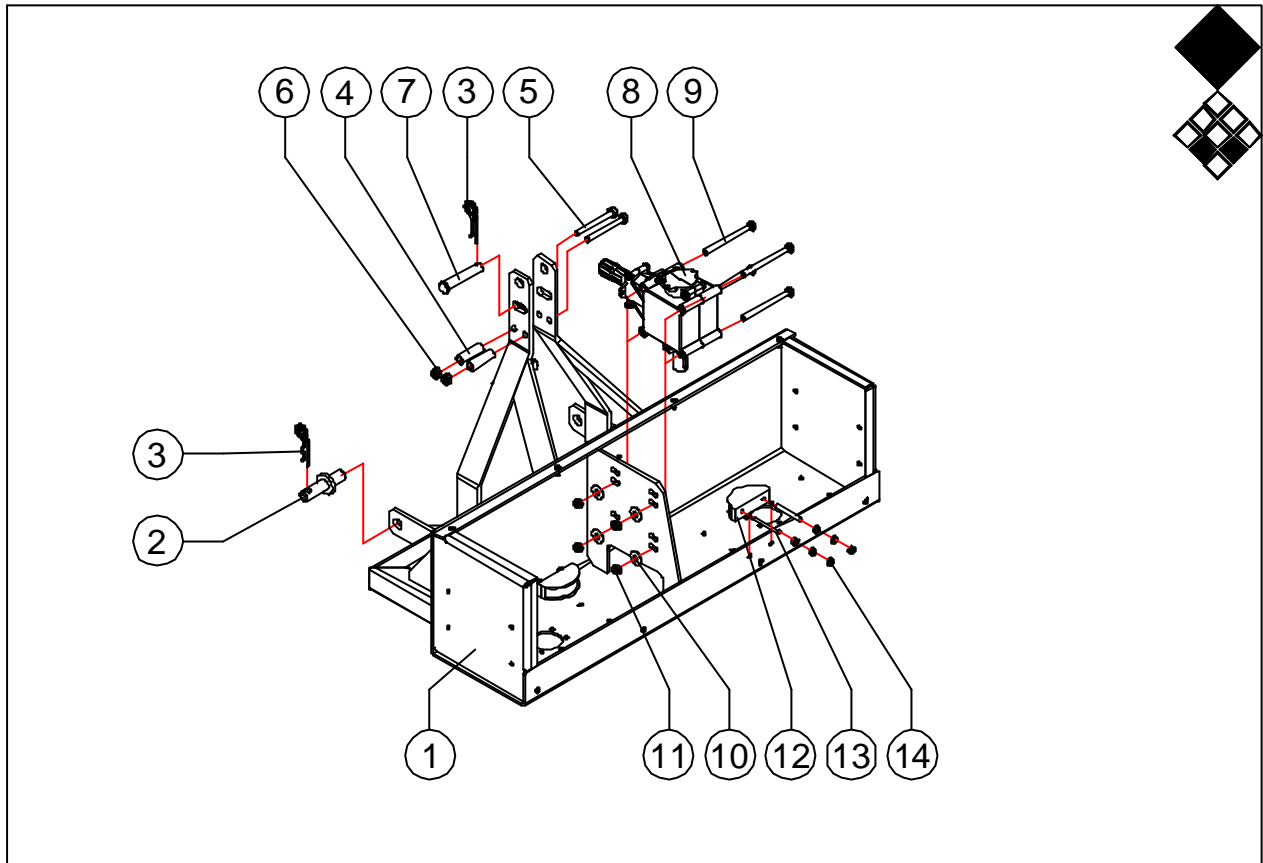


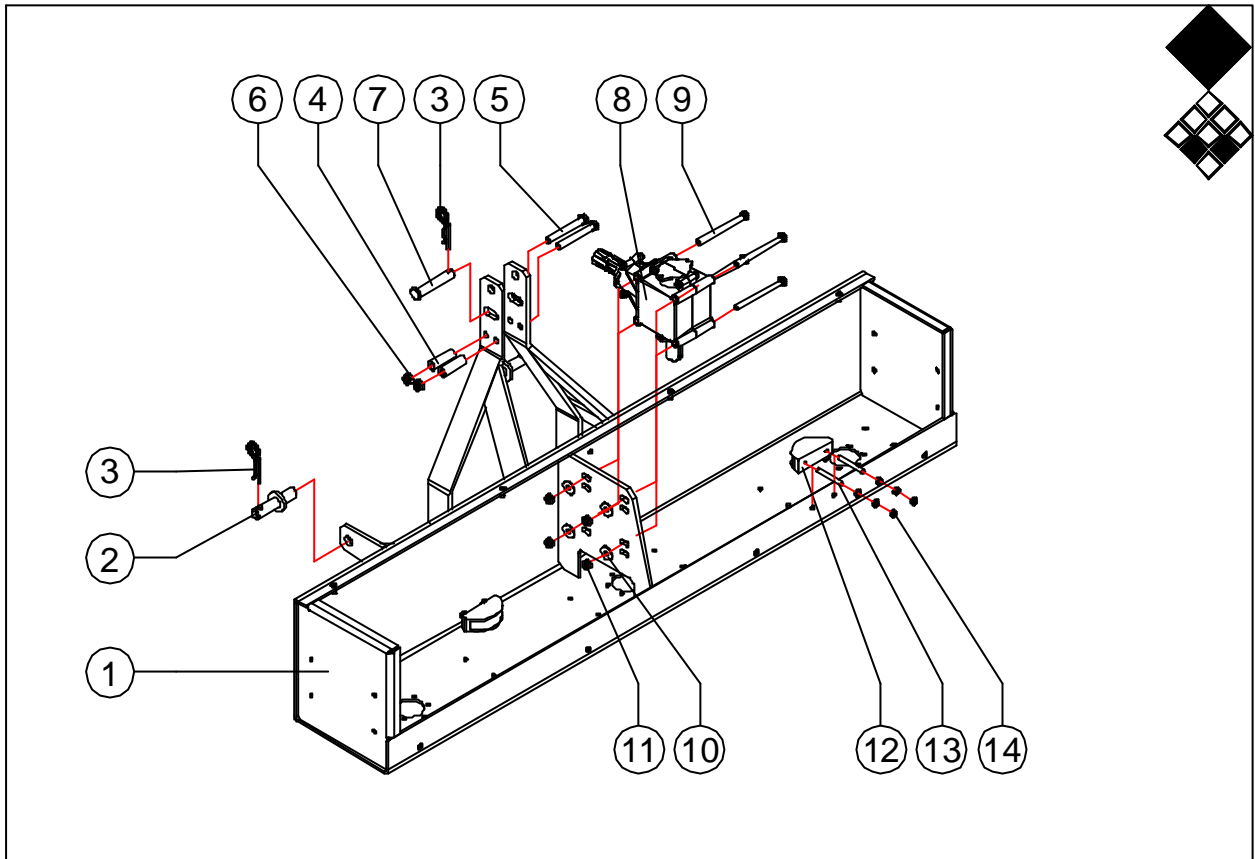
Redexim-Charterhouse Extreme Clean pag 01 code 0831

	PART 1200	PART 1800	DESCRIPTION	REMARKS	QUA
1	SEE PP 02	SEE PP 03	Frame Extreme Clean 1200 / 1800		1
2	SEE PP 04	SEE PP 05	Cover brushes		1
3	SEE PP 06	SAME	Wheel support		2
4	SEE PP 07	SAME	Brush Unit		2 / 3
5	991.143.400	SAME	Manual / Toolbox empty		1
6	991.140.600	SAME	Cover Manual / Toolbox empty		2
7	900.280.402	SAME	Safety label Manual / Toolbox empty		1
8	848.901.200	SAME	U-bolt complete		2
9	456.120.400	468.029.161	Top Cover		1
10	804.060.200	SAME	Bolt M6 x 20		8
11	629.210.190	SAME	Protection cover PTO		1
12	816.080.160	SAME	Screw M8 x 16		4
13	830.080.080	SAME	Nut M8		20 / 24
14	804.080.250	SAME	Bolt M8 x 25		8
15	804.080.200	SAME	Bolt M8 x 20		8 / 12
16	900.260.422	SAME	Decall PTO 350 – 540		1
17	900.260.403	SAME	Redexim Logo		1
18	921.280.402	SAME	Safety Decall		1
19	942.120.400	SAME	Label Extreme Clean		1
20	942.300.202	942.300.200	Label 1200 / Label 1800		1
21	613.805.100	SAME	PTO Complete		1
22	804.080.120	SAME	Bolt M8 x 12		1 / 2
23	826.080.032	SAME	Low nut M8		1 / 2
24					
25					
26					
27					
28					
29					
30					
31					
32					
33					
34					
35					
36					



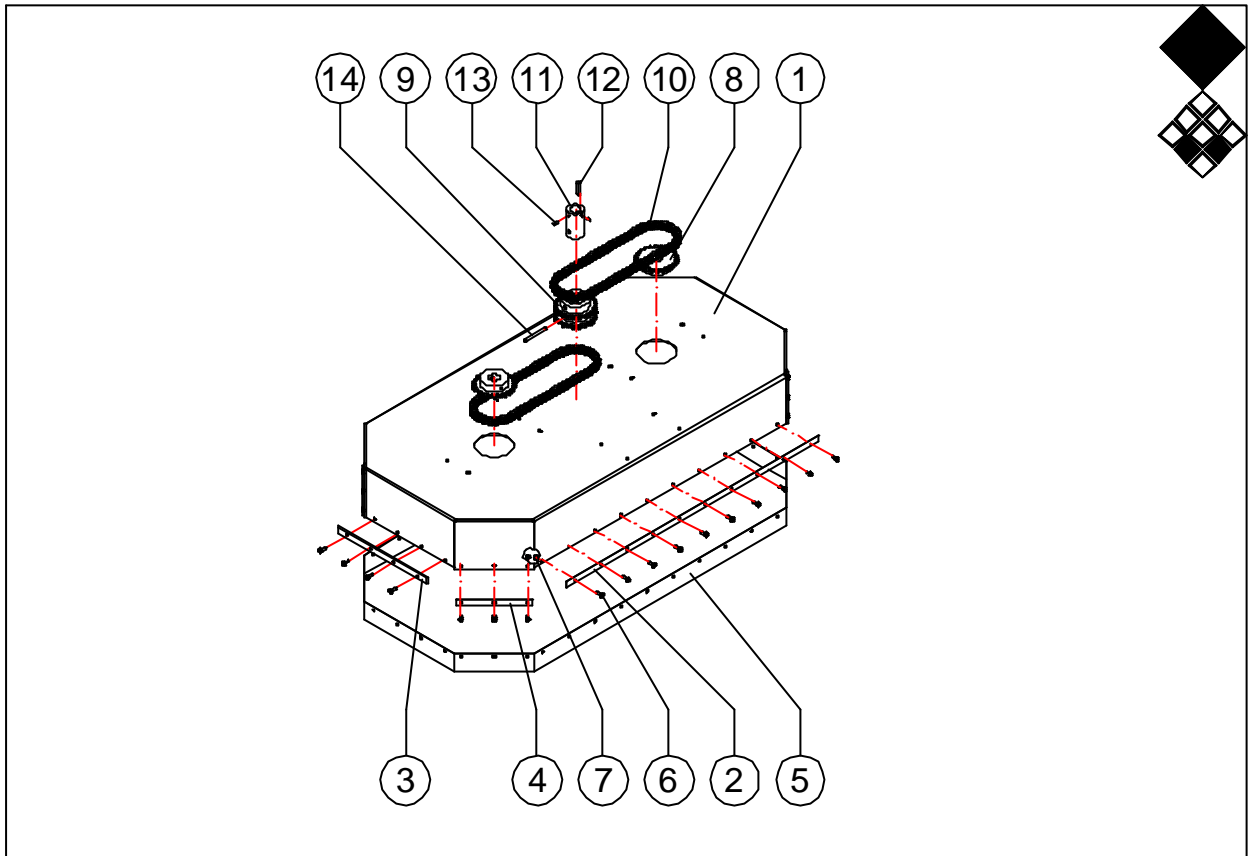
Redexim-Charterhouse Frame Extreme Clean 1200 pag 02 code 0831

	PART #	DESCRIPTION	REMARKS	QUA
1	494.120.280	Frame Extreme Clean 1200		1
2	2490881	3-point bottom pin		2
3	523.051.000	R-Pin		3
4	406.120.600	Distance bush 3-point top		2
5	802.121.000	Bolt M12 x 100		2
6	830.120.120	Nut M12		2
7	2490825	Top link pin		1
8	622.105.359	Gearbox Comer T-281A (281.014)		1
9	804.101.300	Bolt M10 x 130		4
10	830.100.100	Nut M10		4
11	864.100.031	Washer M10		4
12	444.301.000	Tensioner block		2
13	852.080.700	Threaded rod M8 x 70		4
14	826.080.080	Nut M8		12
15				
16		Tensioner complete : 490.301.000		
17				
18				
19				
20				
21				
22				
23				
24				
25				
26				
27				
28				
29				
30				
31				
32				
33				
34				
35				
36				
37				



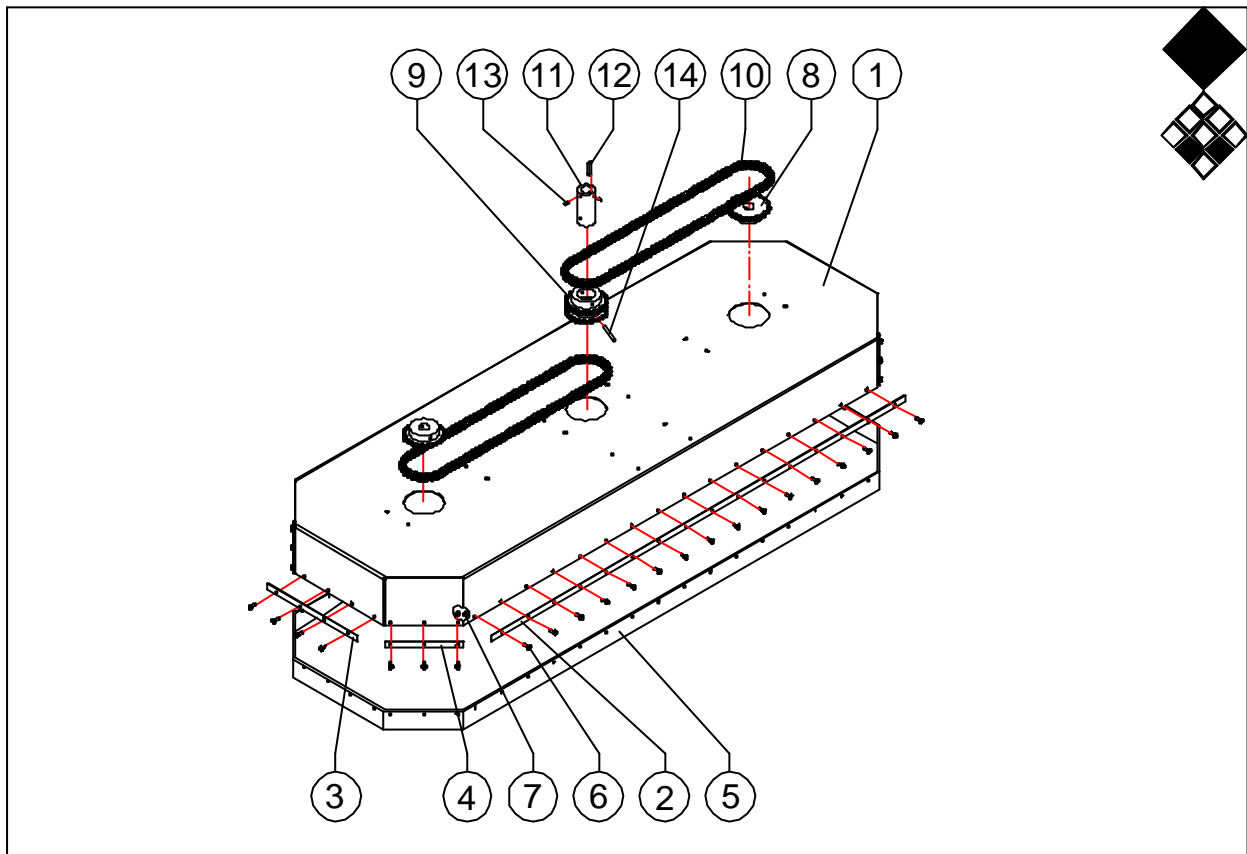
Redexim-Charterhouse Frame Extreme Clean 1800 pag 03 code 0831

	PART #	DESCRIPTION	REMARKS	QUA
1	494.161.270	Frame Extreme Clean 1800		1
2	2490881	3-point bottom pin		2
3	523.051.000	R-Pin		3
4	406.120.600	Distance bush 3-point top		2
5	802.121.000	Bolt M12 x 100		2
6	830.120.120	Nut M12		2
7	2490825	Top link pin		1
8	622.105.359	Gearbox Comer T-281A (281.014)		1
9	804.101.300	Bolt M10 x 130		4
10	830.100.100	Nut M10		4
11	864.100.031	Washer M10		4
12	444.301.000	Tensioner block		2
13	852.080.700	Threaded rod M8 x 70		4
14	826.080.080	Nut M8		12
15				
16		Tensioner complete : 490.301.000		
17				
18				
19				
20				
21				
22				
23				
24				
25				
26				
27				
28				
29				
30				
31				
32				
33				
34				
35				
36				
37				



Redexim-Charterhouse Cover brushes Extreme Clean 1200 pag 04 code 0831

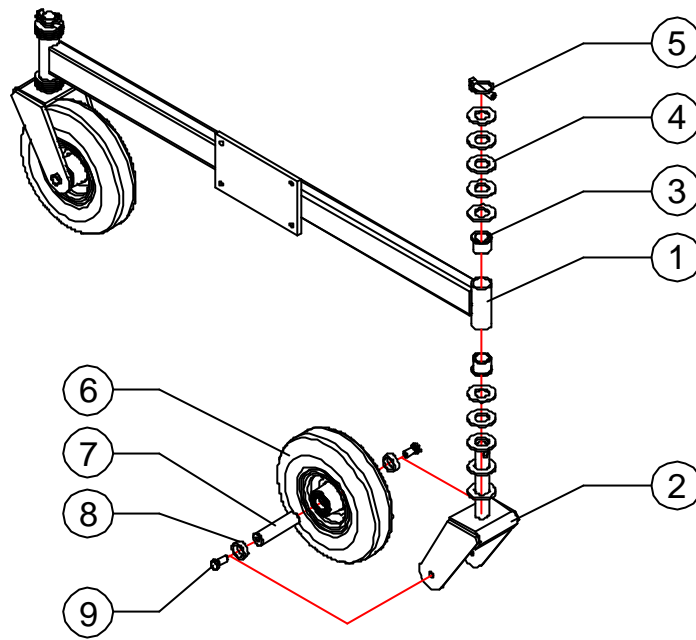
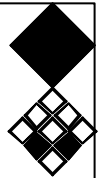
	PART #	DESCRIPTION	REMARKS	QUA
1	494.126.640	Cover brushes		1
2	464.039.600	Mounting strip long		2
3	464.033.400	Mounting strip middle long		2
4	464.032.100	Mounting strip short		4
5	492.029.340	Flap		1
6	804.060.160	Bolt M6 x 16		40
7	830.060.060	Nut M6		40
8	430.301.202	Chain wheel KRL 5/8" x 3/8"		2
9	492.601.200	Weldment double chain wheel		1
10	631.161.030	Chain 5/8" x 3/8"		2
11	472.500.800	Coupling bush		1
12	884.080.450	Key 8 x 7 x 45		1
13	816.080.160	Set screw M8 x16		2
14	878.080.800	Pin 8 x 80		1
15				
16				
17				
18				
19				
20				
21				
22				
23				
24				
25				
26				
27				
28				
29				
30				
31				
32				
33				
34				
35				
36				
37				



Redexim-Charterhouse Cover brushes Extreme Clean 1800 pag 05 code 0831

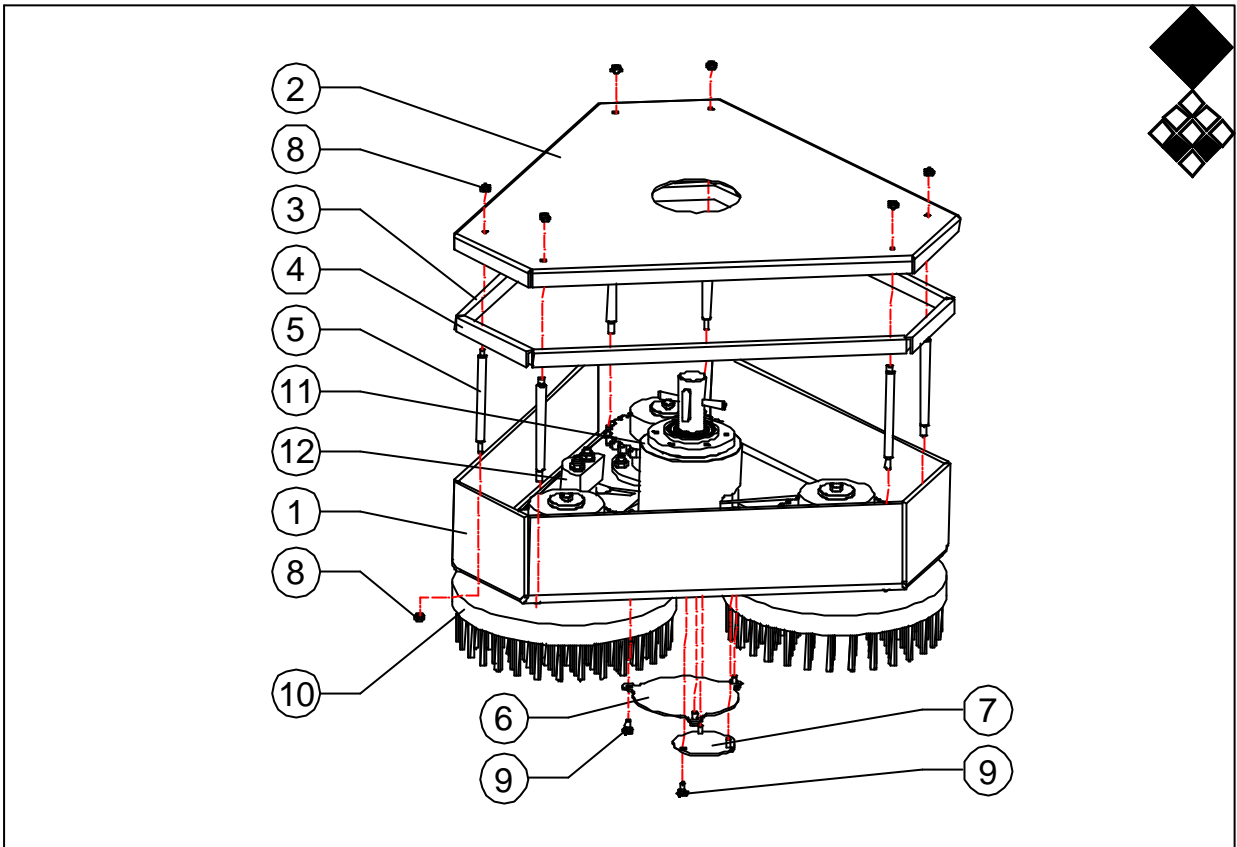
	PART #	DESCRIPTION	REMARKS	QUA
1	494.126.640	Cover brushes		1
2	464.039.158	Mounting strip long		2
3	464.033.400	Mounting strip middle long		2
4	464.032.100	Mounting strip short		4
5	492.029.470	Flap		1
6	804.060.160	Bolt M6 x 16		52
7	830.060.060	Nut M6		52
8	430.301.202	Chain wheel KRL 5/8" x 3/8"		2
9	492.601.200	Weldment double chain wheel		1
10	631.161.603	Chain 5/8" x 3/8"		2
11	472.501.050	Coupling bush		1
12	884.080.450	Key 8 x 7 x 45		1
13	816.080.160	Set screw M8 x 16		2
14	878.080.800	Pin 8 x 80		1
15				
16				
17				
18				
19				
20				
21				
22				
23				
24				
25				
26				
27				
28				
29				
30				
31				
32				
33				
34				
35				
36				
37				

Left and right are the same



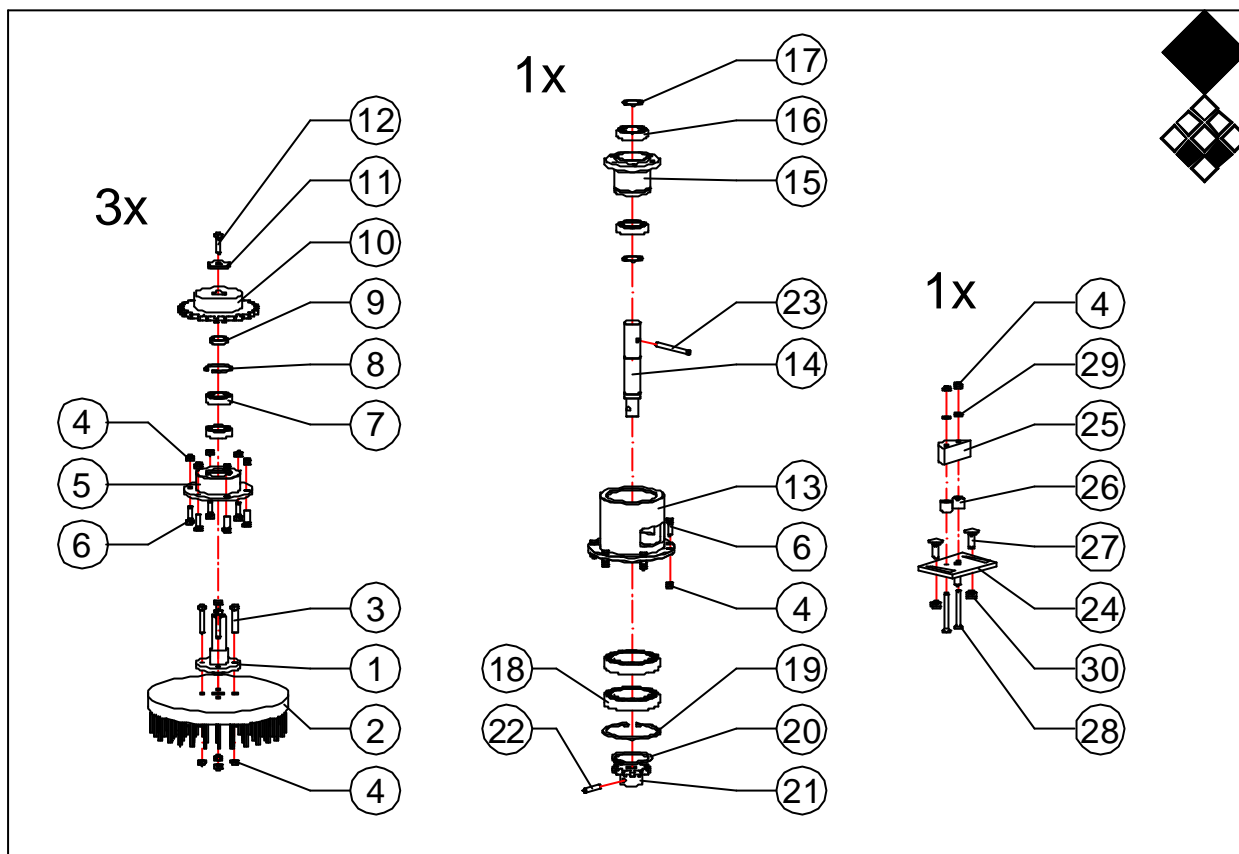
Redexim-Charterhouse Wheel support pag 06 code 0831

	PART #	DESCRIPTION	REMARKS	QUA
1	462.301.040	Wheel frame		1
2	470.061.740	Wheel bracket		2
3	444.250.280	Bush		4
4	864.260.030	Washer M26		20
5	523.100.570	Linch pin d10		2
6	511.255.085	Wheel		2
7	416.250.950	Wheel axle		2
8	406.250.100	Distance bush		4
9	804.100.250	Bolt M10 x 25		4
10				
11				
12				
13				
14				
15				
16				
17				
18				
19				
20				
21				
22				
23				
24				
25				
26				
27				
28				
29				
30				
31				
32				
33				
34				
35				
36				
37				



Redxim-Charterhouse Brush unit pag 07 code 0831

	PART #	DESCRIPTION	REMARKS	QUA
1	494.490.560	Base plate weldment		1
2	470.025.720	Cover brush		1
3	446.100.180	Rubber seal		3
4	446.100.182	Rubber seal		3
5	472.101.220	Stud brush cover		6
6	468.021.380	Inspection cover		1
7	468.020.702	Grease cover		1
8	830.060.060	Nut M6		12
9	804.060.100	Bolt M6 x 10		6
10		SEE NEXT PAGE		3
11		SEE NEXT PAGE		1
12		SEE NEXT PAGE		1
13				
14				
15				
16				
17				
18				
19				
20				
21				
22				
23				
24				
25				
26				
27				
28				
29				
30				
31				
32				
33				
34				
35				
36				
37				



Redexim-Charterhouse Brush unit parts pag 08 code 0831

	PART #	DESCRIPTION	REMARKS	QUA
1	474.801.080	Drive weldment		3
2	486.702.550	Brush		3
3	802.080.450	Bolt M8 x 45		12
4	830.080.080	Nut M8		38
5	474.800.360	Bearing part		3
6	804.080.250	Bolt M8 25		24
7	713.250.120	Bearing 6005 2RS		6
8	872.047.180	Clip 47 x 1,75		3
9	406.250.600	Distance bush		3
10	635.250.350	Gear 5/8 x 3/8, T27, D25		3
11	472.050.400	Ring		3
12	804.080.300	Bolt M8 x 30		3
13	474.111.030	Bearing bracket		1
14	422.301.750	Shaft brush element		1
15	472.980.650	Bearing bar with flange		1
16	713.300.130	Bearing 6006 2RS		2
17	870.030.160	Clip 30 x 1,5		2
18	713.650.180	Bearing 6013 2Rs		2
19	872.100.300	Clip 100 x 3		1
20	870.065.250	Clip 65 x 2,5		1
21	635.200.350	Gear 5/8 x 3/8, T12, D20		1
22	878.080.400	Pin 8 x40		1
23	878.080.800	Pin 8 x 80		1
24	470.081.200	Tensiner bracket		1
25	444.300.700	Tensioner		1
26	406.090.180	Distance bush		2
27	820.100.300	Bolt M10 x 30		2
28	816.080.700	Bolt M8 x 70		2
29	864.080.030	Washer M8		2
30	830.100.100	Nut M10		2
31				
32				
33				
34				
35				
36				
37				