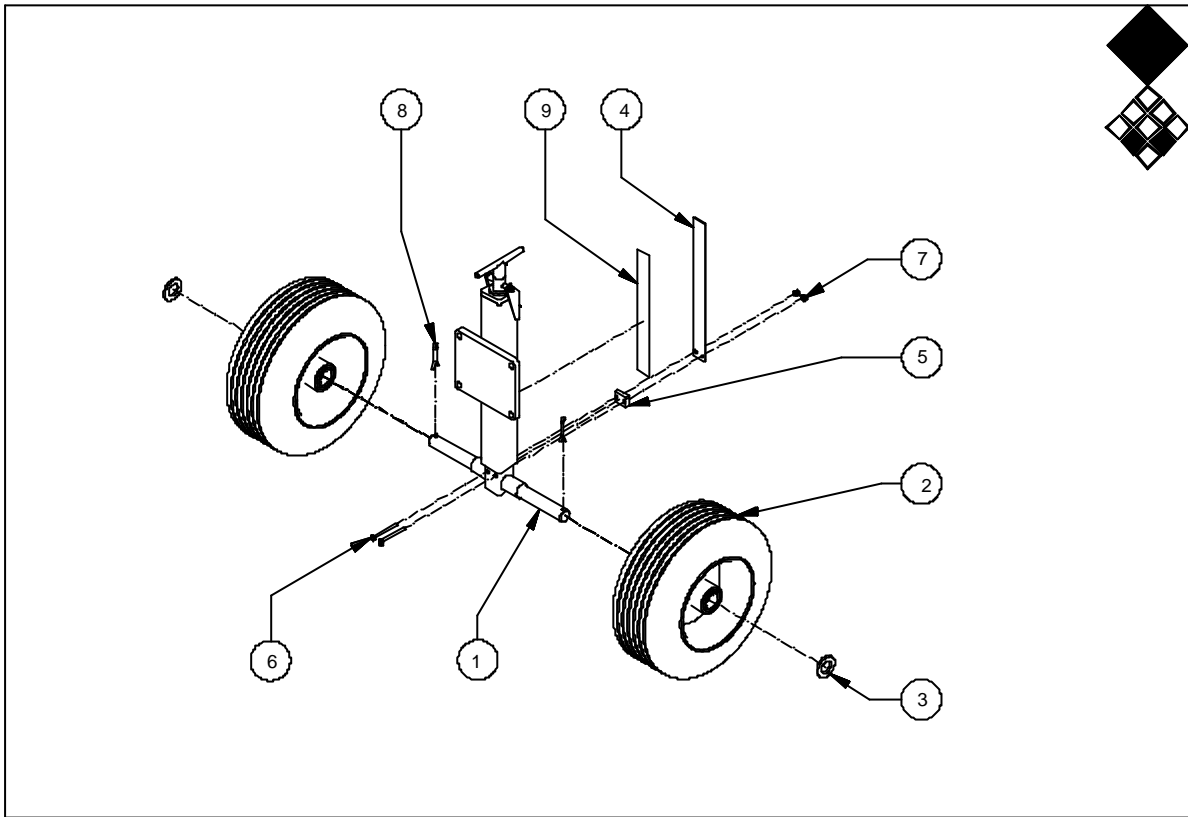


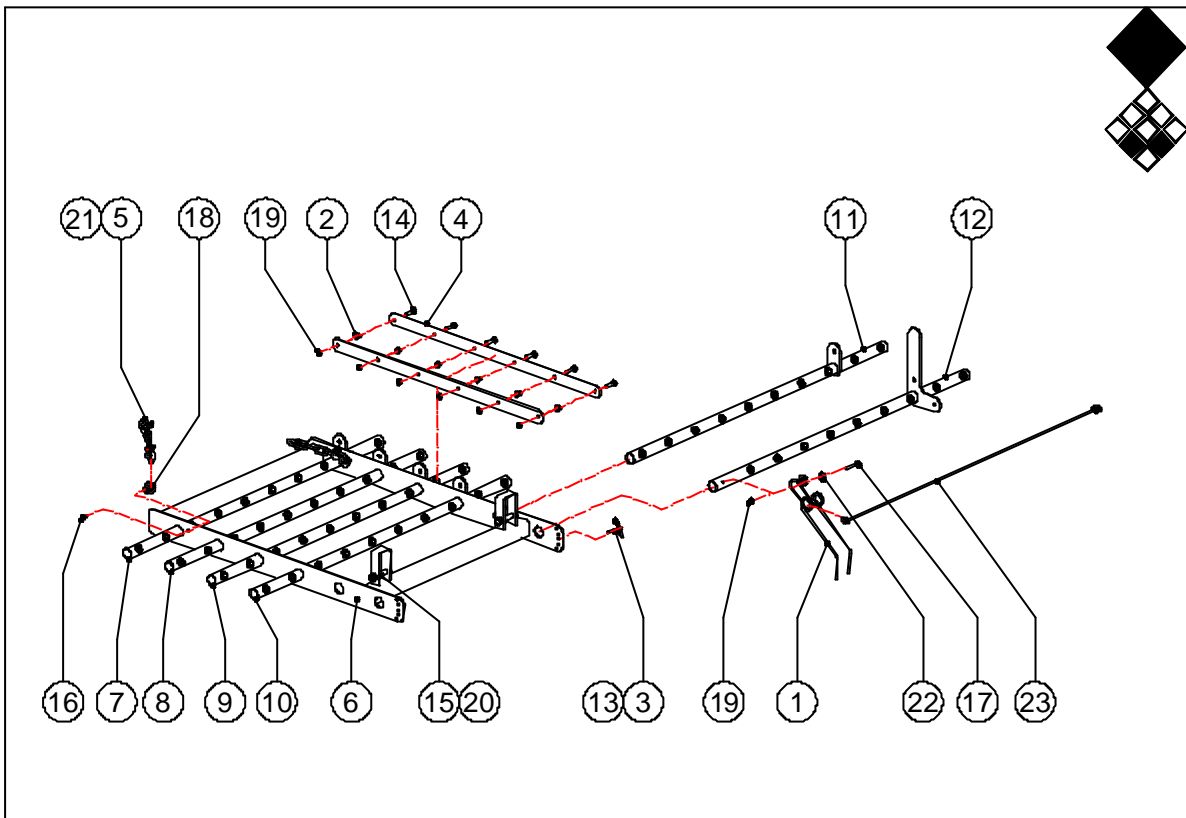
**Redexim-Charterhouse Verti-Rake Machine carrier pag 01 code 0748**

	<b>PART #</b>	<b>DESCRIPTION</b>	<b>REMARKS</b>	<b>QUA</b>
1	462.109.170	Main beam		1
2	470.121.910	Bottom link assy		2
3	468.121.350	Mounting plate square 135		4
4	470.124.850	Top link assy		1
5	470.801.850	Pivot lock		1
6	404.501.240	Pivot bush		1
7	476.250.660	Distance bush 3 point		1
8	521.221.600	3 point pin		2
9	961.120.200	Manual		2
10	880.060.100	Grease nipple		1
11	523.051.000	R-Clip		3
12	521.191.600	Top link pin		1
13	802.121.400	Bolt M12 x140		20
14	830.120.120	Self lock nut M12		20
15	802.160.140	Bolt M16 x 140		1
16	830.160.160	Self lock nut M16		2
17	802.161.100	Bolt M16 x 110		1
18	468.031.430	Mounting plate manual tube		1
19	991.143.400	Manual / Toolbox empty		1
20	991.140.600	Cover toolbox		2
21	848.901.200	U-bolt complete		2
22	830.080.080	Self lock nut M8		4
23	900.280.402	Safety label Manual		1
24	900.260.403	Logo Label Redexim		1
25	933.280.402	Safety Label		2
26				
27				
28				
29				
30				
31				
32				
33				
34				
35				
36				
37				
38				
39				



Redxim-Charterhouse Verti-Rake Jack complete pag 02 code 0748

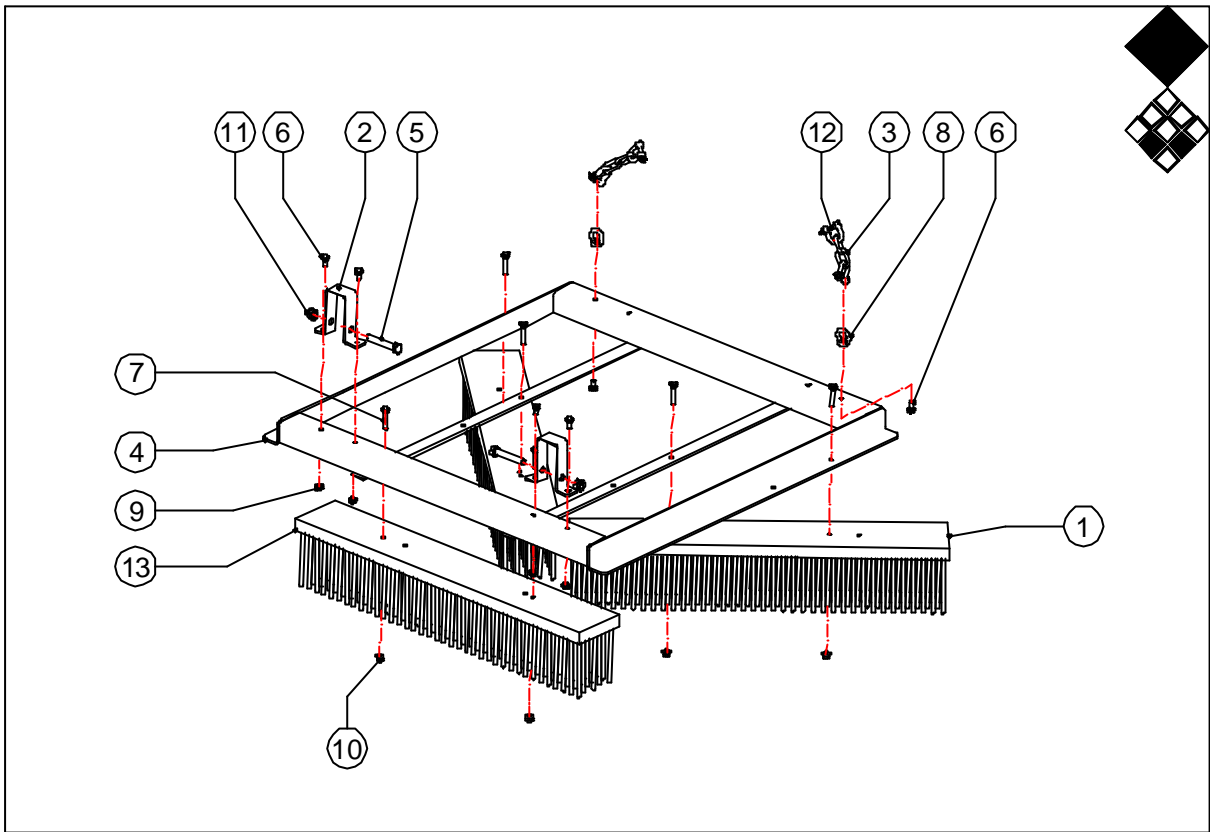
	PART #	DESCRIPTION	REMARKS	QUA
1	460.325.609	Weld assy jack		1
2	511.325.135	Wheel		2
3	864.240.044	Washer		2
4	464.043.150	Height indicator strip		1
5	464.080.300	Distance block		1
6	802.060.600	Bolt M6 x 60		2
7	830.060.060	Nut		2
8	882.050.400	Split pin		2
9	900.260.414	Decal ruler 280		1
10				
11				
12				
13				
14				
15				
16				
17				
18				
19				
20				
21				
22				
23				
24				
25				
26				
27				
28				
29				
30				
31				
32				
33				
34				
35				
36				
37				
38				
39				



**Redexim-Charterhouse Verti-Rake Rake section 1500-2000 pag 03 code 0748**

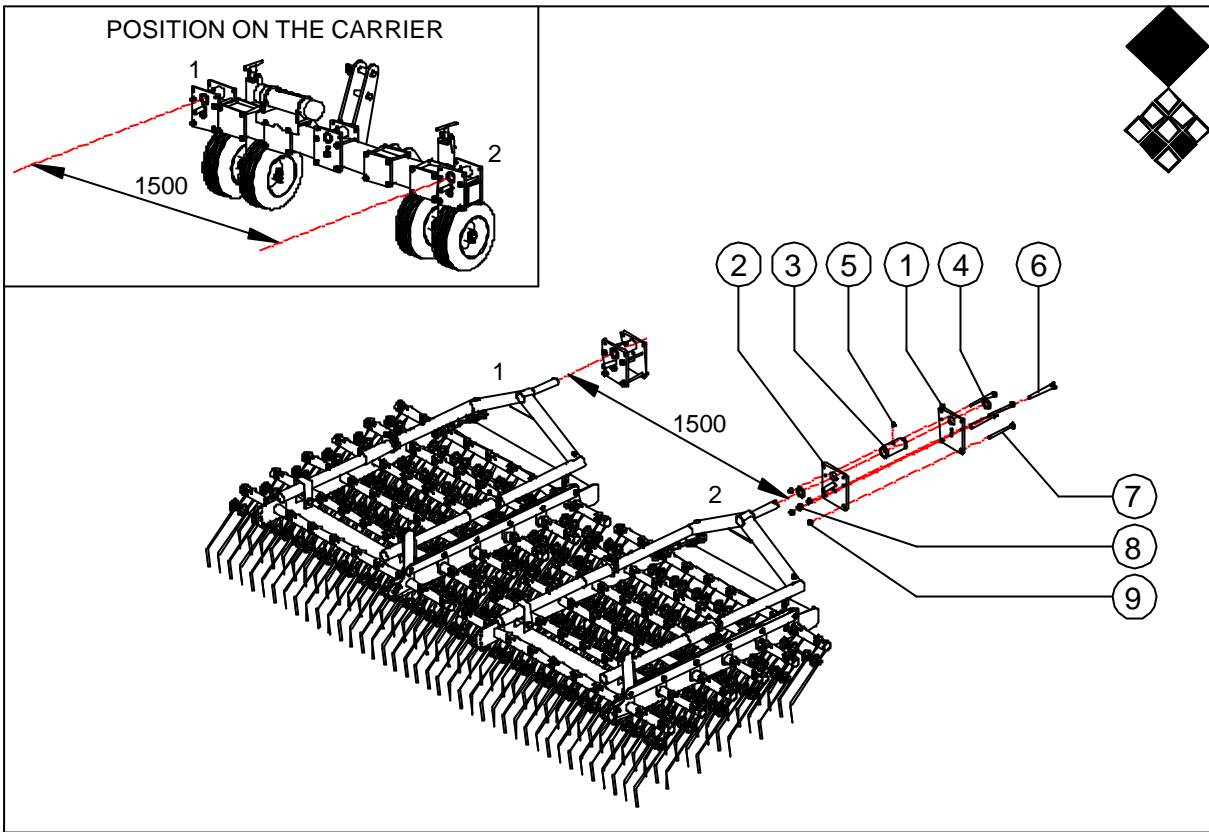
	PART # 1500	PART # 2000	DESCRIPTION	DESCRIPTION	QUA 1500 / 2000
1	361.505.390	SAME	Tine for Verti-Rake		60 / 84
2	404.100.160	SAME	Pivot bush		6 / 6
3	424.100.590	SAME	Lock pin		1 / 1
4	464.069.110	SAME	Guide strip for angle setting		2 / 2
5	482.081.360	SAME	Chain		2 / 2
6	494.127.091	SAME	Rake frame		1 / 1
7	494.128.105	494.175.105	Tine support tube 1		1 / 1
8	494.128.106	494.175.106	Tine support tube 2		1 / 1
9	494.128.107	494.175.107	Tine support tube 3		1 / 1
10	494.128.108	494.175.108	Tine support tube 4		1 / 1
11	494.128.109	494.175.109	Tine support tube 5		1 / 1
12	494.128.270	494.175.270	Tine carrier		1 / 1
13	523.030.750	SAME	R-Clip		1 / 1
14	802.100.400	SAME	Bolt M10 x 40		6 / 6
15	802.160.900	SAME	Bolt M16 x 90		2 / 2
16	804.100.200	SAME	Bolt M10 x 20		2 / 2
17	802.100.650	SAME	Bolt M10 x 65		60 / 84
18	822.100.360	SAME	Eye nut M10		2 / 2
19	830.100.100	SAME	Self lock nut M10		66 / 90
20	830.160.160	SAME	Self lock nut M16		2 / 2
21	846.100.471	SAME	D-Shackle		4 / 4
22	864.100.031	SAME	Large washer M10		60 / 84
23	899.080.150	899.080.200	Rope for spring tines		6 / 6
24					
25					
26			The 3 meter rake section, needs twice the quantity from above		
27					
28					
29					
30					
31					
32					
33					
34					
35					
36					
37					





**Redexim-Charterhouse Verti-Rake Brush section 1500-2000 pag 05 code 0748**

	<b>PART # 1500</b>	<b>PART # 2000</b>	<b>DESCRIPTION</b>	<b>DESCRIPTION</b>	<b>QUA 1500 / 2000</b>
1	386.185.910	SAME	Brush 1 for VR		2 / 2
2	464.041.420	SAME	Bracket brush		2 / 2
3	482.080.800	SAME	Chain assy Verti-brush		2 / 2
4	494.099.090	494.099.911	Frame for brush		1 / 1
5	802.160.900	SAME	Bolt M16 x 90		2 / 2
6	804.100.200	SAME	Bolt M10 x 20		6 / 6
7	804.100.500	SAME	Bolt M10 x 50		6 / 6
8	822.100.360	SAME	Eye nut M10		2 / 2
9	830.100.100	SAME	Self lock nut M10		4 / 4
10	830.100.105	SAME	Self lock nut with washer M10		6 / 6
11	830.160.160	SAME	Self lock nut M16		2 / 2
12	846.100.471	SAME	D-Shackle 10		4 / 4
13	386.185.910	386.185.912	Brush 2 for VR		1 / 1
14					
15					
16			The 3 meter rake section, needs twice the quantity from PART # 1500 above		
17					
18					
19					
20					
21					
22					
23					
24					
25					
26					
27					
28					
29					
30					
31					
32					
33					
34					
35					
36					



Redexim-Charterhouse Verti-Rake 3000 pag 06 code 0748

	PART #	DESCRIPTION	REMARKS	QUA
1	468.121.780	Mounting Plate Rake Section Pivots		2
2	470.801.850	Pivot Lock		2
3	404.501.240	Pivot bush For Rake Section Main Tube		2
4	476.500.040	Washer		4
5	880.060.100	Grease nipple		2
6	802.160.140	Bolt M16 x 140		2
7	802.121.400	Bolt M12 x 140		8
8	830.160.160	Self lock nut M16		2
9	830.120.120	Self lock nut M12		8
10				
11				
12		Rest of the parts see previous pages		
13				
14				
15				
16				
17				
18				
19				
20				
21				
22				
23				
24				
25				
26				
27				
28				
29				
30				
31				
32				
33				
34				
35				
36				
37				
38				
39				