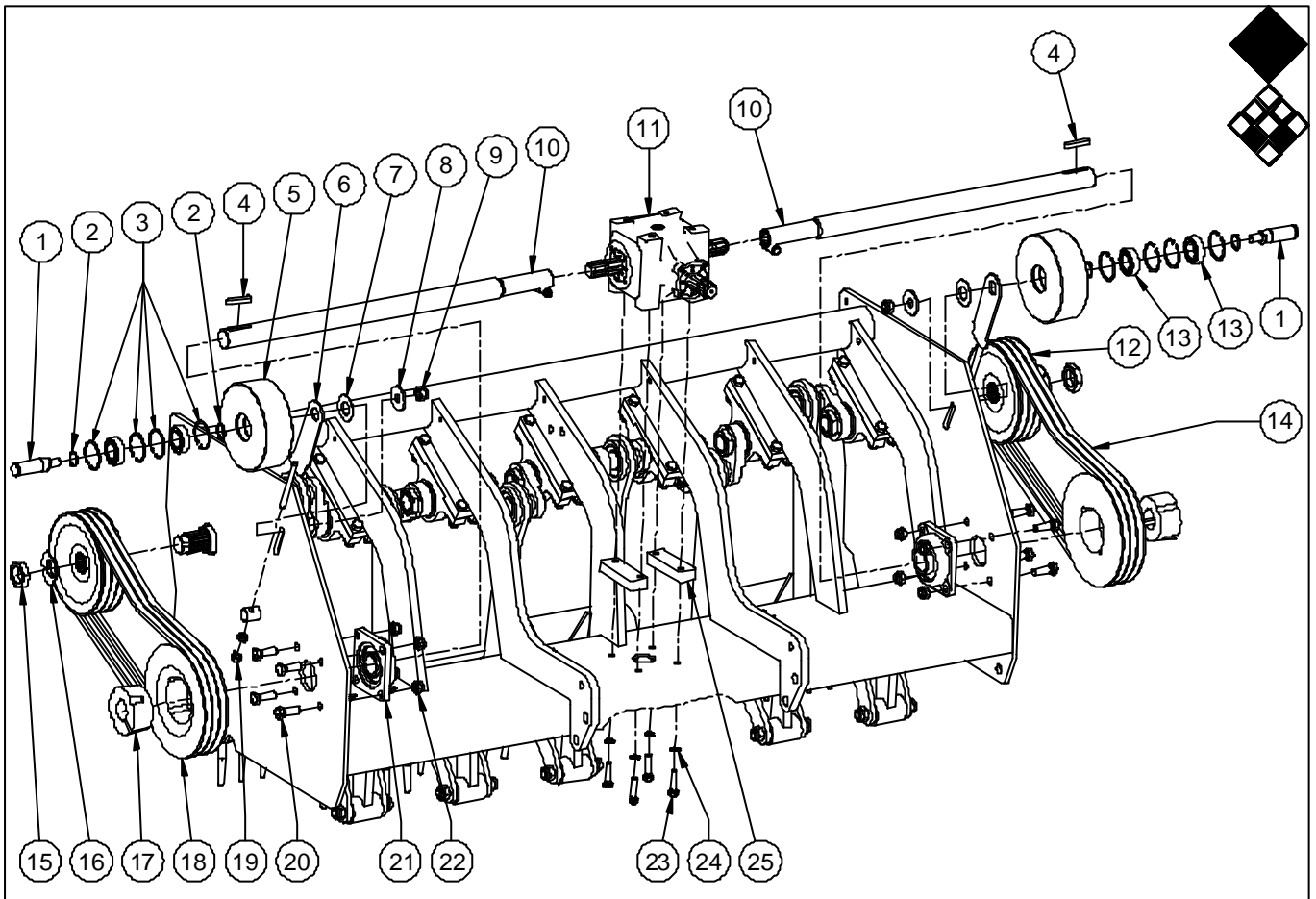


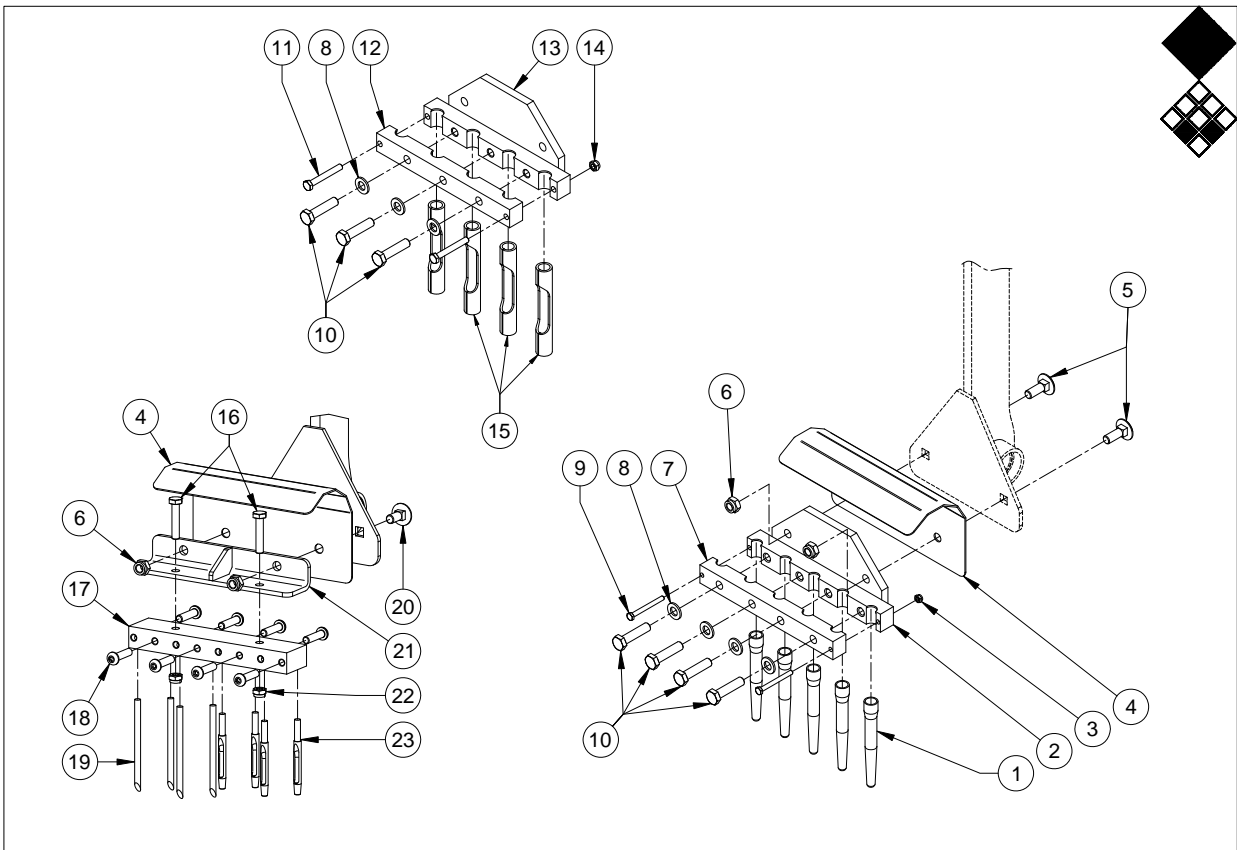
Redexim-Charterhouse Verti-Core II 1600 pag 06 code 0838

	PART #	DESCRIPTION	REMARKS	QUA
1	468.155.750	Front Roller Support		2
2	418.250.750	Stop Turf Hold Down Frame		2
3	478.050.250	Roll Pin		2
4	804.120.350	Bolt M12 x 35		4
5	822.100.802	Eye Bolt M10 x 100		2
6	826.100.100	Nut M10		2
7	464.080.860	Bracket		2
8	864.100.031	Large Washer M10		2
9	830.100.100	Self Lock Nut M10		6
10	836.100.260	Knurled Knob M10		2
11	830.160.160	Self Lock Nut M16		4
12	742.250.360	Bearing UCFL 205		2
13	466.101.340	Pivot Bracket		2
14	802.160.600	Bolt M16 x 60		4
15	442.300.150	Bearing Bush		2
16	468.102.640	Bracket THD Beam Right		1
17	468.102.642	Bracket THD Beam Left	Mirror part of 468.102.640	1
18	864.160.030	Washer M16		2
19	802.100.650	Bolt M10 x 65		2
20	864.100.030	Washer M10		2
21	438.251.020	Spring		2
22	404.100.340	Bush THD Spring		2
23	488.140.917	Front Roller		1
24	830.140.140	Self Lock Nut M14		2



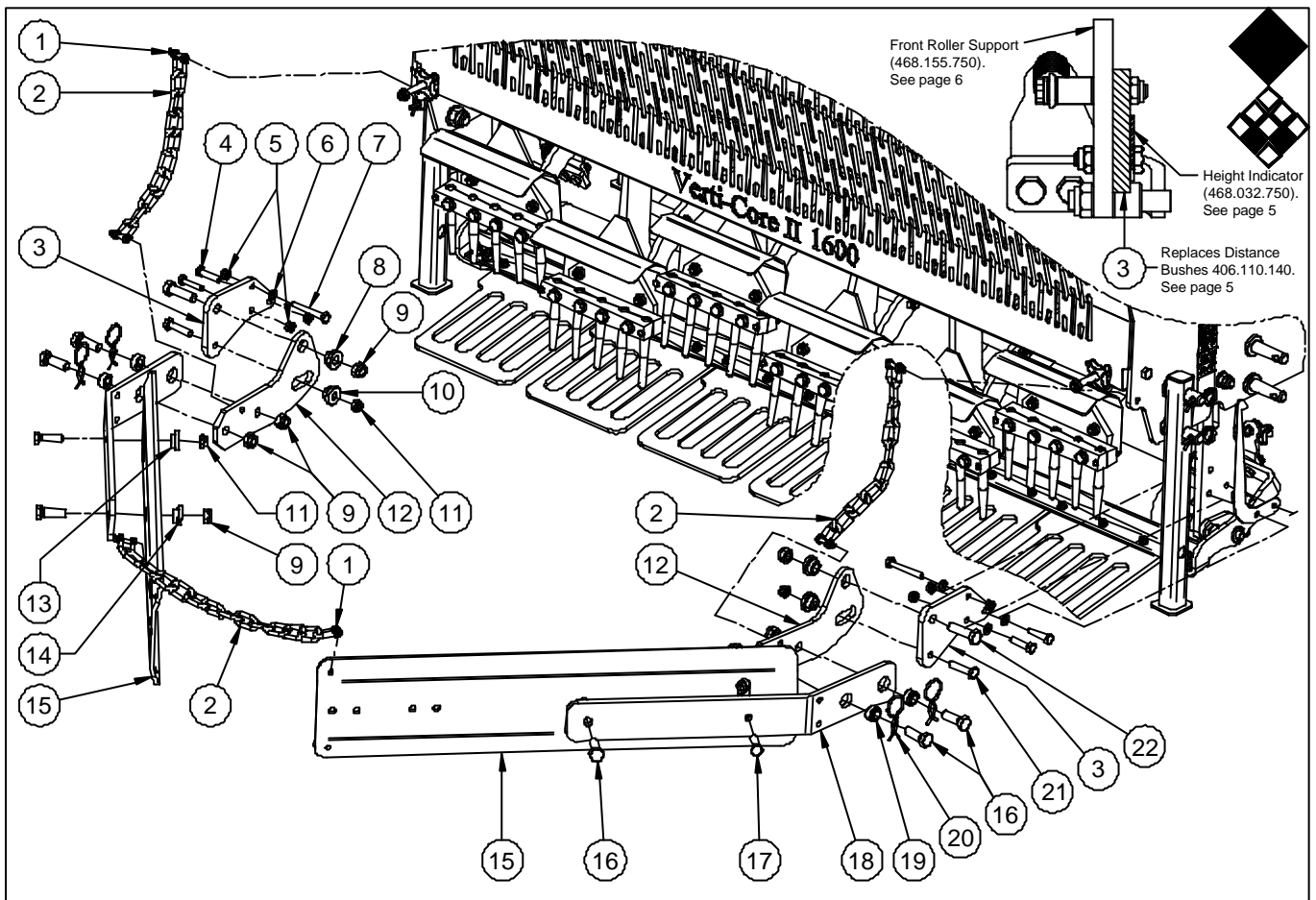
Redxim-Charterhouse Verti-Core II 1600 pag 07 code 0838

	PART #	DESCRIPTION	REMARKS	QUA
1	424.301.150	Shaft Tensioner		2
2	870.030.160	Circlip Ø30		4
3	872.062.200	Circlip Ø62		8
4	884.140.630	Key 14 x 9 x 63		2
5	428.702.000	Idler		2
6	470.053.050	Tensioner		2
7	412.310.020	Shim		2
8	864.200.041	Large Washer M20		2
9	830.180.180	Self Lock Nut M18		2
10	474.458.550	Main Shaft		2
11	622.175.206	Gearbox		1
12	646.022.243	Splined Pulley		2
13	713.300.160	Bearing 6206		4
14	642.171.700	V-Belt XPB 1700		6
15	4109600	Crank Shaft Nut		2
16	2281539	Lock Plate		2
17	648.453.020	Taperlock 3020 – Ø45		2
18	646.022.503	Pulley SPB 250-3		2
19	826.120.120	Nut M12		4
20	804.160.450	Bolt M16 x 45		8
21	741.450.570	Bearing UELF 209		2
22	830.160.160	Self Lock Nut M16		8
23	804.120.500	Bolt M12 x 50		4
24	866.120.020	Spring Washer M12		4
25	464.251.400	Distance Strip		2



Redxim-Charterhouse Verti-Core II 1600 pag 11 code 0950

	PART #	DESCRIPTION	REMARKS	QUA
1	311.219.138	Hollow Tine 19 x 110 (3/4" x 4 1/2")		5
2	466.122.650	Tine Holder	5 Tines	1
3	830.060.060	Self Lock Nut M6		2
4	468.032.650	Core Catch Plate		1
5	820.120.350	Mushroom Head Bolt M12 x 35		2
6	830.120.120	Self Lock Nut M12		2
7	472.302.650	Contra Block Tine Holder		1
8	864.120.030	Washer M12		4/3
9	802.060.600	Bolt M6 x 60		2
10	802.120.500	Bolt M12 x 50		4/3
11	802.080.600	Bolt M8 x 60		2
12	472.302.550	Contra Block Tine Holder 7/8 inch tines		1
	472.302.552	Contra Block Tine Holder 3/4 inch tines	standard	1
13	466.122.550	Tine Holder 7/8 inch tines	4 Tines	1
	466.122.552	Tine Holder 3/4 inch tines	4 Tines standard	1
14	830.080.080	Self Lock Nut M8		2
15	311.222.140	Hollow Tine 22 x 110 (7/8" x 4 1/2")		4
15	9990075	Hollow tine 15/16"	standard	4
16	802.100.500	Bolt M10 x 50		2
17	314.430.254	Multi Tine Holder Block		1
18	812.100.401	Tine Securing Bolt M10 x 40		8
19	311.108.095	Solid Tine 8 x 95 (5/16" x 3.875")		8
20	820.120.350	Mushroom Head Bolt M12 x 35		2
21	464.062.500	Angle Support For Adapter		1
22	830.100.100	Self Lock Nut M10		2
23	311.210.080	Hollow Tine 10 x 80 (3/8" x 3 1/4")		8



Redexim-Charterhouse Verti-Core II 1600 pag 13 code 0838

	PART #	DESCRIPTION	REMARKS	QUA
1	846.080.241	Dee Shackle d=8		6
2	846.064.300	Chain d=6 (14 shackles)		3
3	468.121.900	Mount Strip		2
4	802.100.450	Bolt M10 x 45		4
5	830.100.100	Self Lock Nut M10		6
6	864.100.030	Washer M10		2
7	802.100.750	Bolt M10 x 75		2
8	404.170.180	Distance Bush		2
9	830.160.160	Self Lock Nut M16		8
10	404.130.180	Distance Bush		2
11	830.120.120	Self Lock Nut M12		4
12	468.103.002	Pivot Plate		2
13	406.130.150	Distance Bush		2
14	406.160.150	Distance Bush		2
15	468.089.000	Windrow Plate		2
16	804.160.450	Bolt M16 x 45		6
17	804.120.450	Bolt M12 x 45		2
18	464.106.350	Windrow Support		2
19	406.170.150	Distance Bush		4
20	523.030.750	R-Clip d=3		4
21	802.120.500	Bolt M12 x50		2
22	802.160.550	Bolt M16 x 55		2
	212.160.012	Complete windrow kit		