

Redexim-Charterhouse Verti-Drain 7621 pag 04 code 0838

	PART #	DESCRIPTION	REMARKS	QUA
1	802.201.000	Bolt M20 x 100		2
2	468.085.070	Tine Angle Adjustment Lever		1
3	464.031.400	Distance Plate		2
4	464.251.250	Lock Strip		2
5	848.791.360	U-Bolt		2
6	802.221.400	Bolt M22 x 140		6
7	864.220.030	Washer M22		12
8	464.152.570	Adjustment Plate For Central Bar		2
9	830.220.220	Self Lock Nut		6
10	412.210.020	Shim Central Bar 2mm		4
11	412.210.030	Shim Central Bar 3mm		4
12	412.210.250	Distance Bush Central Bar		4
13	802.160.600	Bolt M16 x 60		2
14	830.140.140	Self Lock Nut M14		4
15	466.279.000	Support Bolt Assy Central Bar		2
16	864.160.030	Washer M16		4
17	830.160.160	Self Lock Nut M16		2
18	494.261.022	Central Bar		1
19	466.200.020	Spring Washer		4
20	802.200.900	Bolt M20 x 90		2





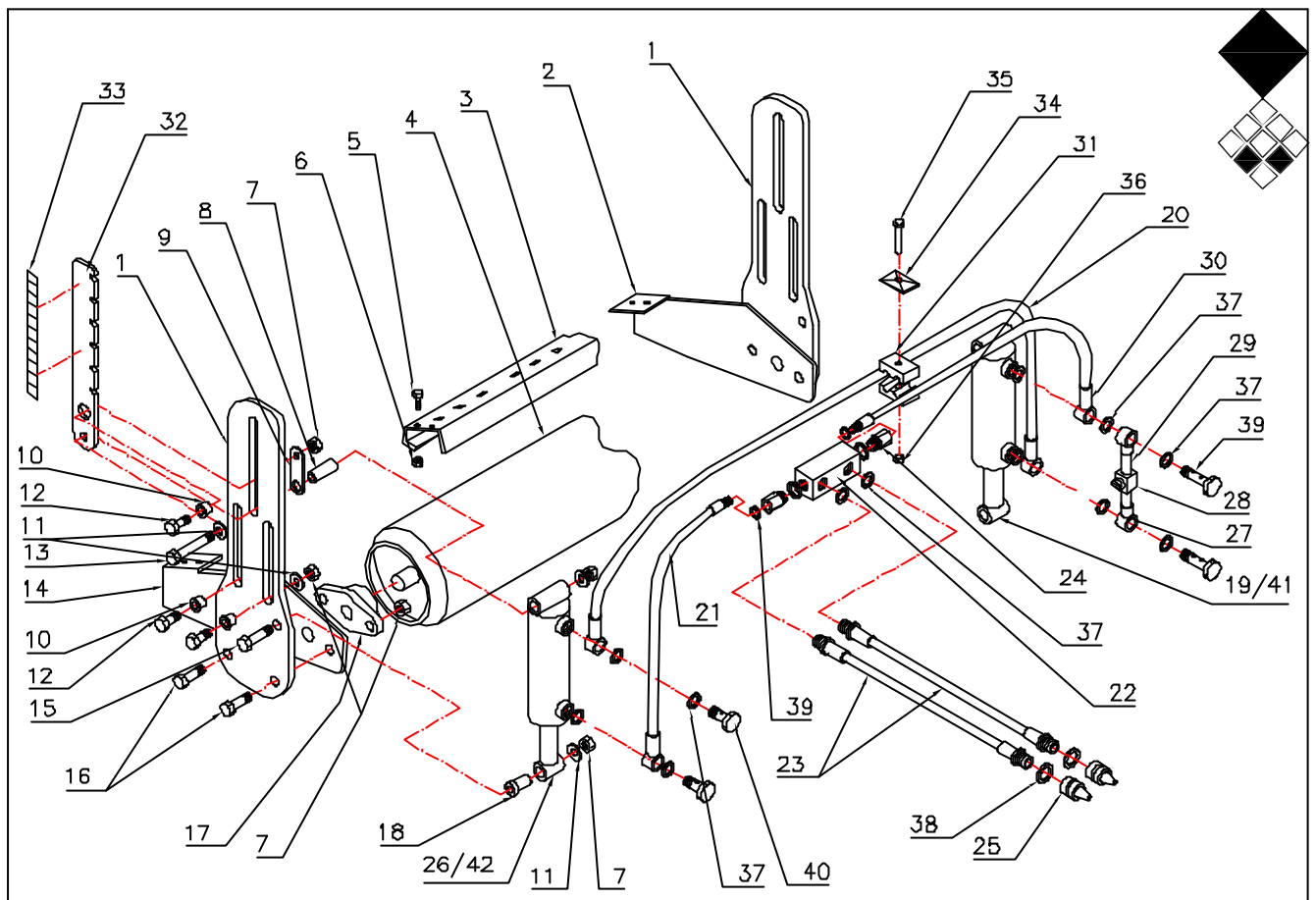








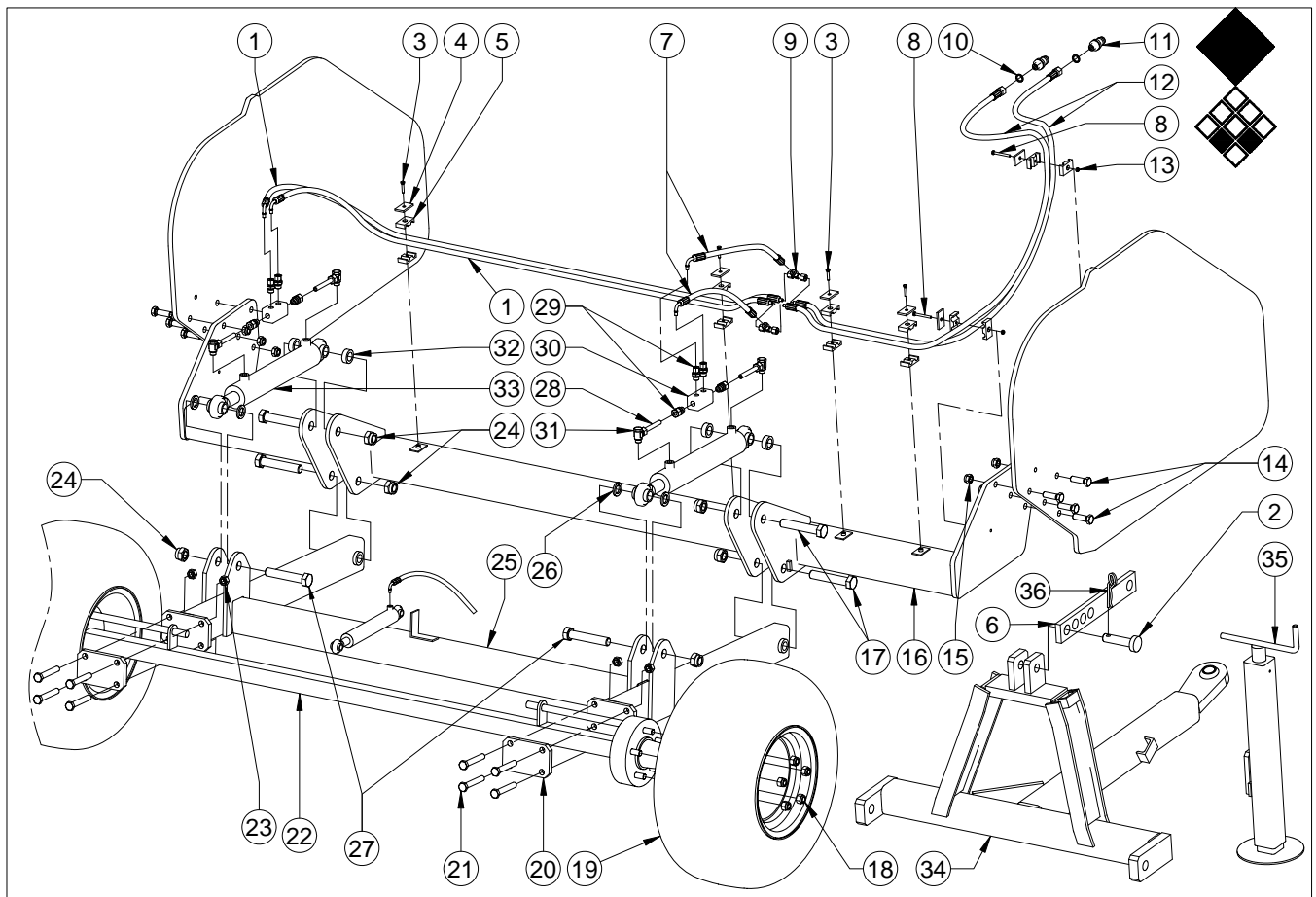




**Redexim-Charterhouse Verti-Drain 7621 pag 11 code 0838**

	PART #	DESCRIPTION	REMARKS	QUA
1	468.208.790	Front Roller Support		002
2	468.083.480	Front Roller Scraper Support Left		001
3	468.089.262	Front Roller Scraper		001
4	488.273.92	Front Roller		001
5	802.120.300	Bolt M12x30		004
6	830.120.120	Self Lock Nut M12		004
7	830.160.160	Self Lock Nut M16		016
8	406.250.750	Distance Bush Hydraulic adjustment		002
9	468.030.880	Hydraulic Cilinder Support Strip		002
10	404.170.260	Slide Bush Front Roller Support		006
11	864.160.030	Washer M16		014
12	802.160.650	Bolt M16x65		004
13	802.161.200	Bolt M16x120		002
14	468.083.482	Front Roller Scraper Support Right		001
15	802.160.900	Bolt M16x90		002
16	802.160.800	Bolt M16x80		004
17	742.400.630	Complete front roller bearing		002
18	404.170.450	Bush For Hydraulic Cilinder Rod Side		002
19	534.454.000	Cilinder For Depth Adjustment Left		001
20	541.133.100	Hose Between Cilinders		001
21	541.131.952	Hose On Right Cilinder		001
22	535.401.000	Pressure Controlled One Way Valve		001
23	541.131.950	Hose To Tractor		002
24	543.130.420	Extension Nipple		002
25	545.210.800	Quick Connector Male 1/2"		002
26	534.404.000	Cilinder For Depth Adjustment Right		001
27	542.100.950	Bottom Tube Left Cilinder		001
28	546.250.750	Ball Valve		001
29	542.101.200	Top Tube Left Cilinder		001
30	541.131.750	Hose On Left Cilinder		001
31	547.150.150	Hose Clamp 2x15mm		014
32	464.054.030	Depth Control Strip		002
33	900.260.412	Depth Label 400		002
34	547.070.510	Cover Plate		014
35	802.080.450	Bolt M8x45		014
36	830.080.080	Self Lock Nut M8		014
37	874.130.020	Copper Washer 1/4"		016
38	874.210.020	Copper Washer 1/2"		002
39	543.130.430	Hollow Bolt Left Cilinder		002
40	543.130.250	Hollow Bolt Right Cilinder		002
41	764.200.450	Seal Kit For Cilinder Depth Adjustment		001
42	764.200.400	Seal Kit For Cilinder Depth Adjustment		001





**Redexim-Charterhouse Verti-Drain 7621 pag 13 code 1114**

	<b>PART #</b>	<b>DESCRIPTION</b>	<b>REMARKS</b>	<b>QUA</b>
1	541.172.000	Hose, TL=2000 HST10 PGLO1018 + PGLO101890		002
2	2490830	Pin		001
3	804.080.300	Bolt M8 x 30		004
4	547.070.510	Cover plate		006
5	547.150.150	Hose clamp 2x15mm		006
6	2282906	Top link		001
7	541.170.575	Hose, TL=575 HST10 PGLO1018 + PGLO101890		002
8	804.080.550	Bolt M8 x 55		002
9	544.124.125	T-connector		002
10	874.210.020	Copper washer 1/2"		002
11	545.210.800	Quick connector male 1/2"		002
12	541.174.850	Hose, TL=4850 HST10 PGLO1018 + PN108		002
13	830.080.080	Self lock nut M8		002
14	804.160.500	Bolt M16 x 50		008
15	830.160.160	Self lock nut M16		008
16	494.064.215	Static frame		001
17	808.010.060	Bolt 1" x 6" unc		004
18	9990135	Wheel nut M16 x 1.5		010
19	511.660.305	Wheel complete		002
20	464.151.600	Wheel axle lock plate		002
21	802.161.000	Bolt M16 x 100		008
22	519.050.919	Wheel axle complete		001
22	519.050.920	Wheel axle with hydraulic brake	OPTION	001
23	830.160.160	Self locking nut M16		008
24	838.010.220	Self lock nut 1" unc		006
25	494.094.162	Rotating frame		001
26	412.260.050	Distance bush		004
27	808.010.060	Bolt 1" x 6" unc		002
28	542.120.780	Tube for cylinder	cut to the right length	004
29	544.170.120	Straight connector 3/8"		008
30	535.401.001	Pressure controlled one way valve		002
31	544.123.122	Screwable L conector 3/8"x 12 mm		004
32	412.260.150	Distance bush		004
33	534.353.000	Hydraulic cylinder		002
34	494.911.970	Draw bar		001
35	2283017	Spindle		001
36	523.051.000	R clips 5 mm		001
	211.762.008	Brake axle complete with cylinder, hose connectors and bracket	Hydraulic brake kit	