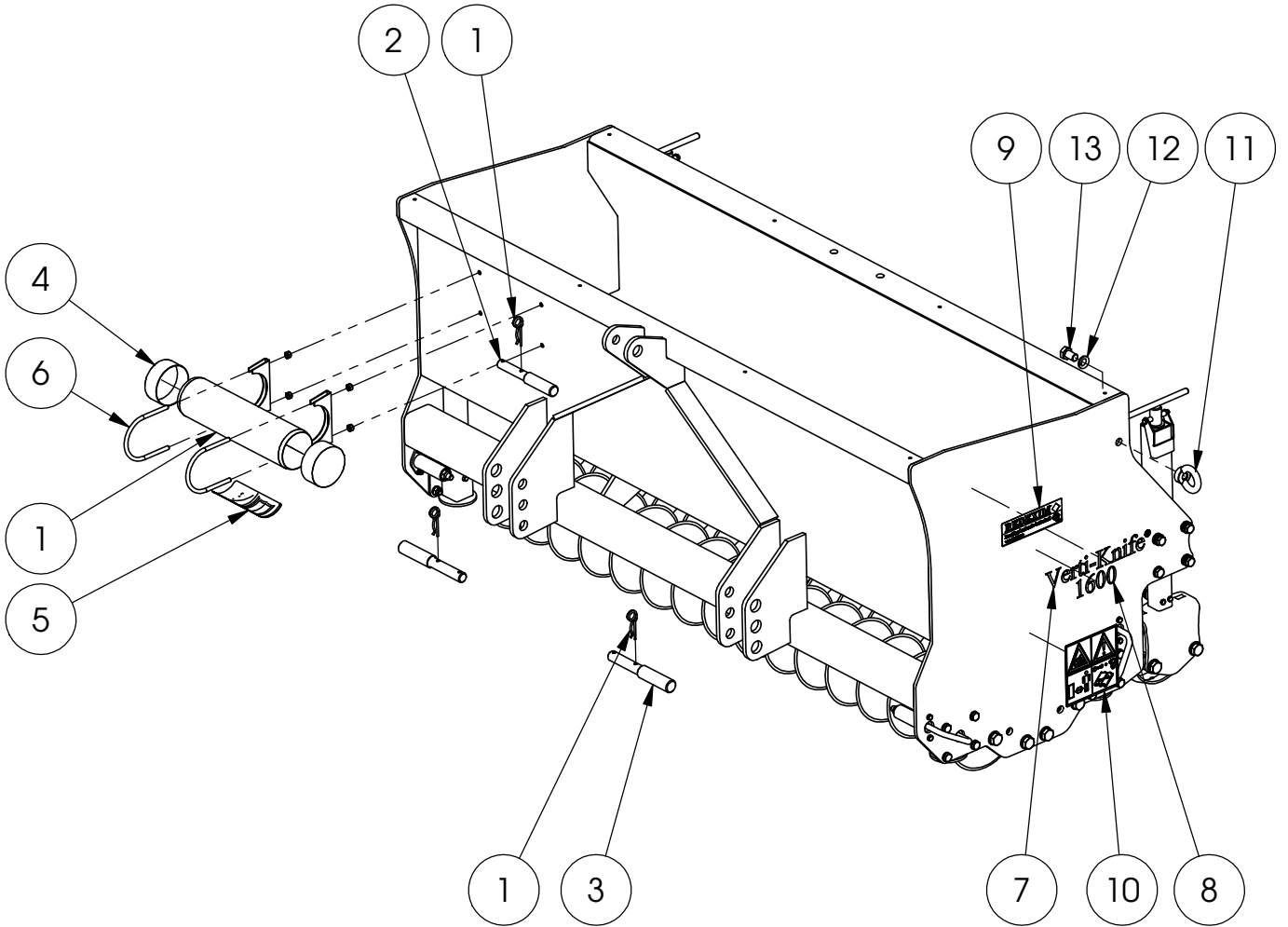
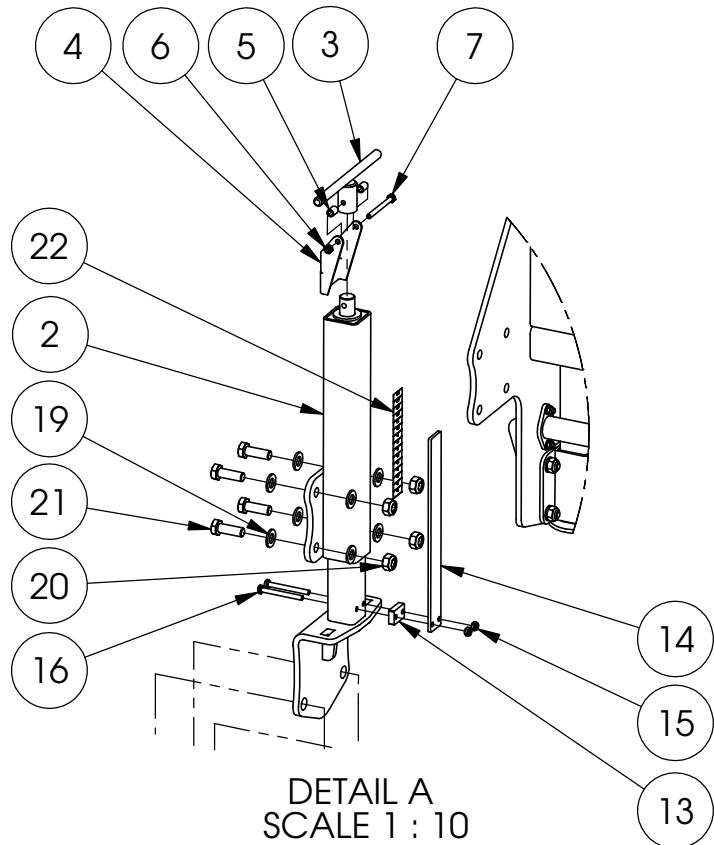
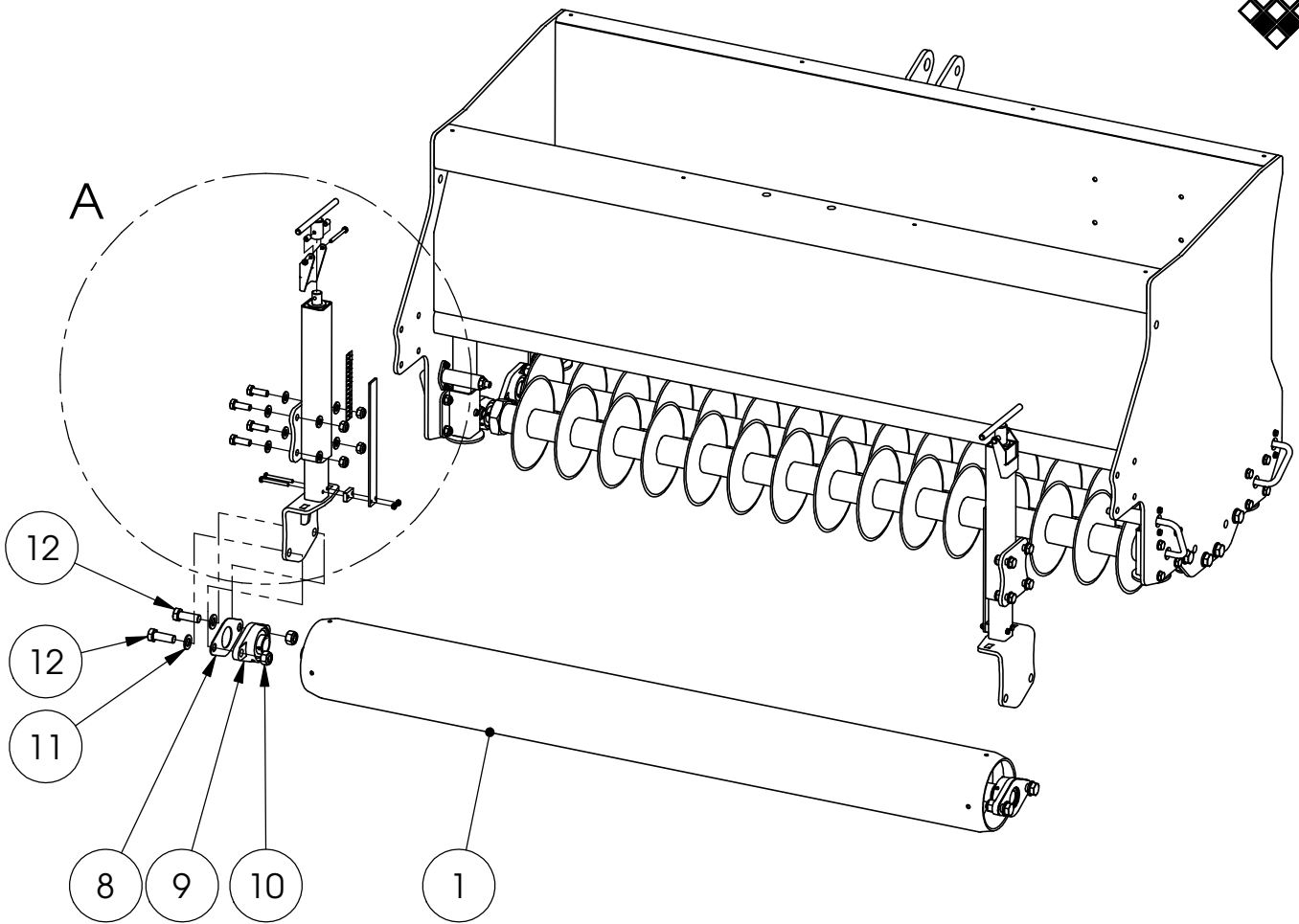
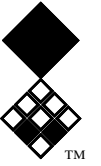


Parts manual



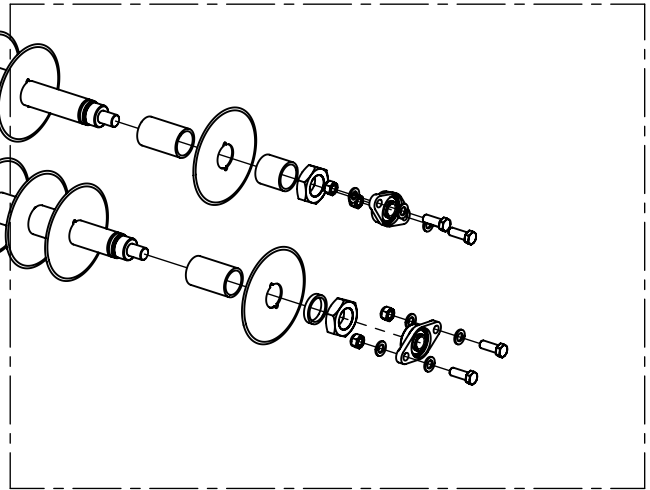
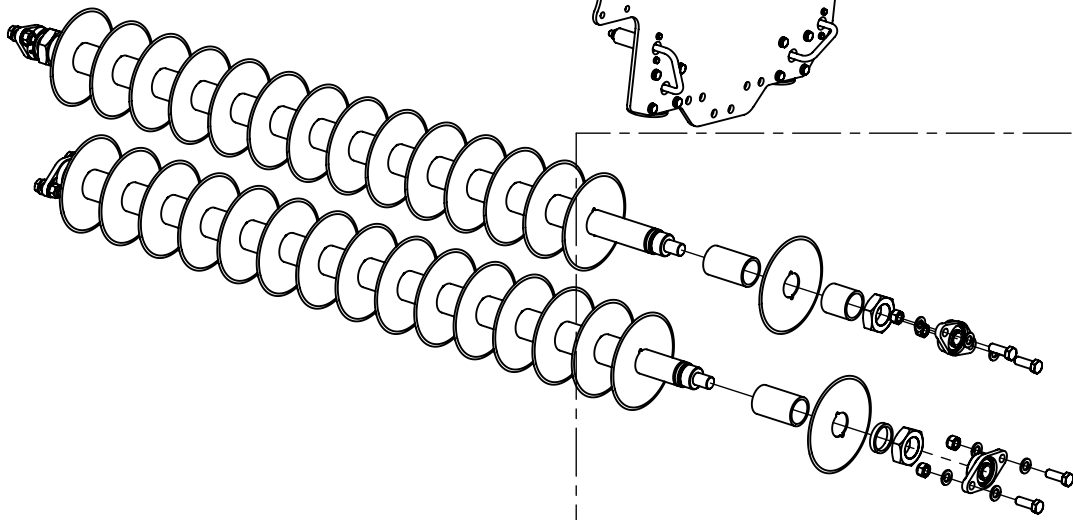
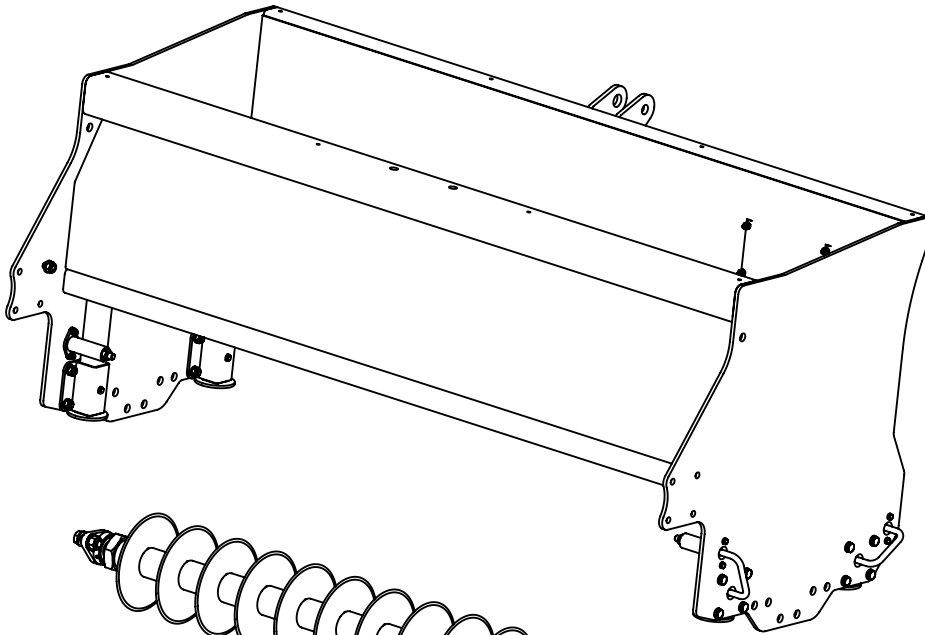
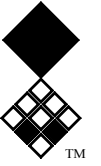


ITEM	PART NUMBER	DESCRIPTION	REMARKS	QUA
1	523.030.750	R-Clip Round 3, DIN 11024		3
2	414.251.750	Top Link Pin		1
3	414.281.950	3-Point Pin		2
4	991.140.600	Cover For PVC Pipe Ø90		2
5	900.280.402	Safety decall tool box		1
6	848.901.200	U-Bolt Complete M8 Ø90		2
7	916.260.200	Label Verti-Knife side		2
8	912.260.404	Label 1600		2
9	900.260.403	Logo Label Rev.B		2
10	921.280.402	Safety decall VS		2
11	822.160.360	Lifting Eye Nut M16 - DIN 582		2
12	866.160.020	Spring Washer M16 - DIN 127		2
13	804.160.250	Bolt M16 x 25 - ISO 4017		2

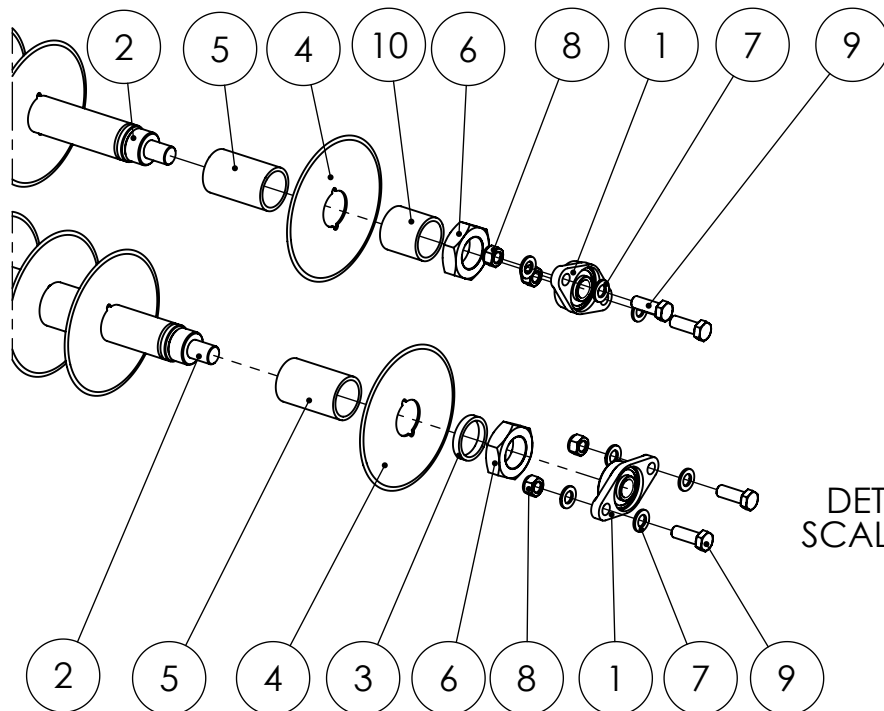


DETAIL A
SCALE 1 : 10

ITEM	PART NUMBER	DESCRIPTION	REMARKS	QUA
1	478.059.162	Weld Assy Roller D168.3, L= 1580		1
2	460.505.530	Weld Assy Jack		2
3	474.251.800	Handle Spindle		2
4	460.505.450-S05	Lock Plate		2
5	460.505.450-S06	Distance Bush		4
6	830.060.060	Self Lock Nut M6 - ISO 10511		2
7	802.060.650	Bolt M6 x 65 - ISO 4014		2
8	468.021.480	Roller Fill Strip		2
9	742.300.400	Bearing UCFL206		2
10	830.160.160	Self Lock Nut M16 - ISO 10511		4
11	864.160.030	Washer M16 - ISO 7089		4
12	804.160.450	Bolt M16 x 45 - ISO 4017		4
13	464.080.300	Distance Block		2
14	464.042.800	Height indicator strip		2
15	830.060.060	Self Lock Nut M6 - ISO 10511		4
16	802.060.600	Bolt M6 x 60 - ISO 4014		4
17	494.063.072-S05	Strip For Toplink Bar		2
18	464.101.800	Pull Eye Plate Bogy		2
19	864.120.030	Washer M12 - ISO 7089		16
20	830.120.120	Self Lock Nut M12 - ISO 10511		8
21	804.120.350	Bolt M12 x 35 - ISO 4017		8
22	900.260.414	Decall Ruler		2

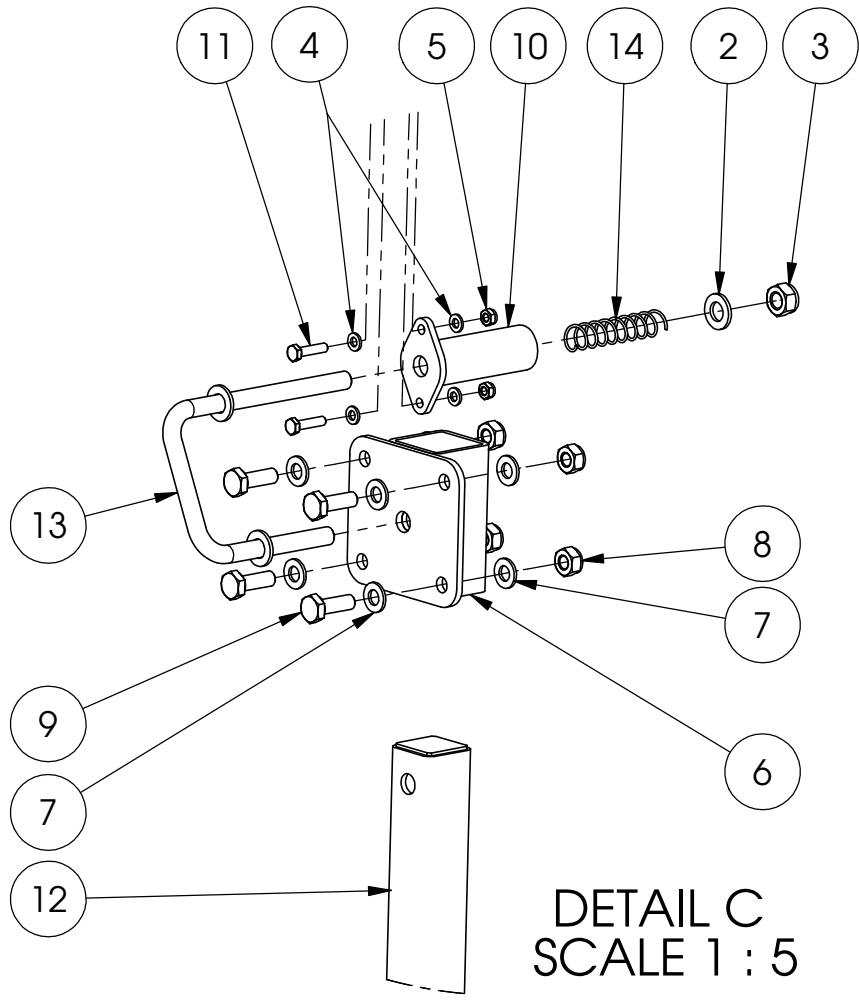
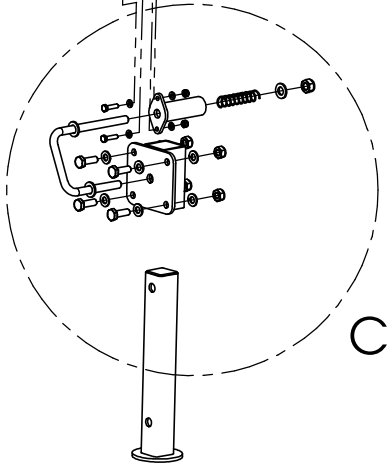
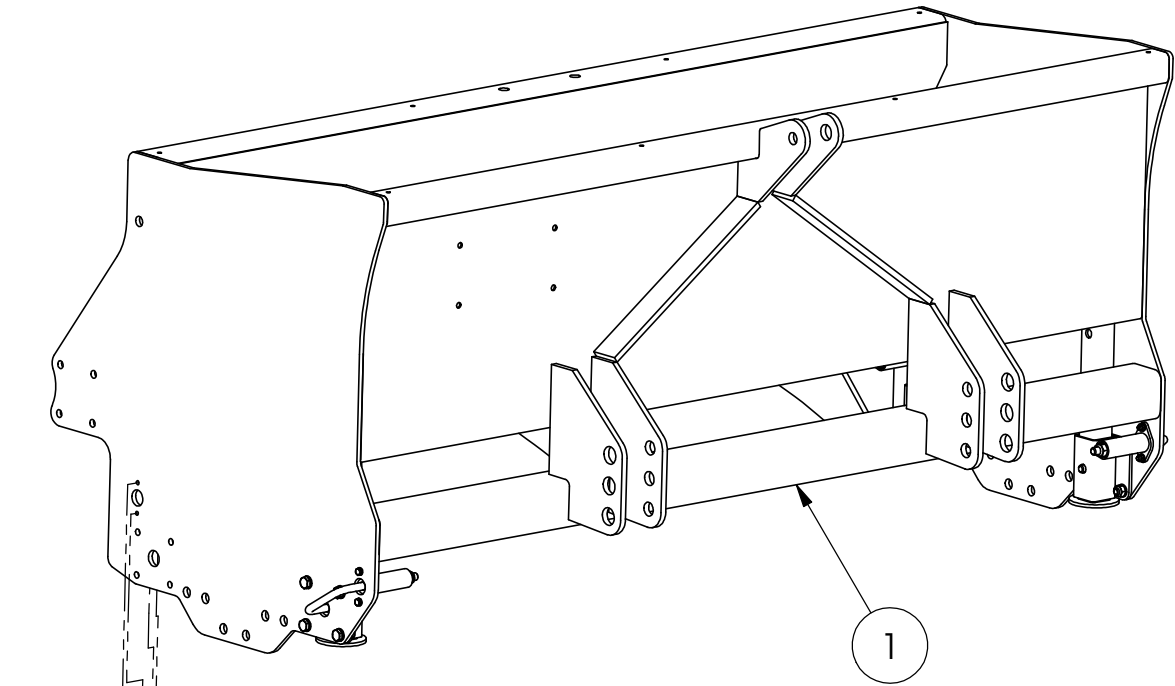
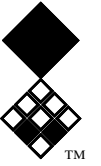


A



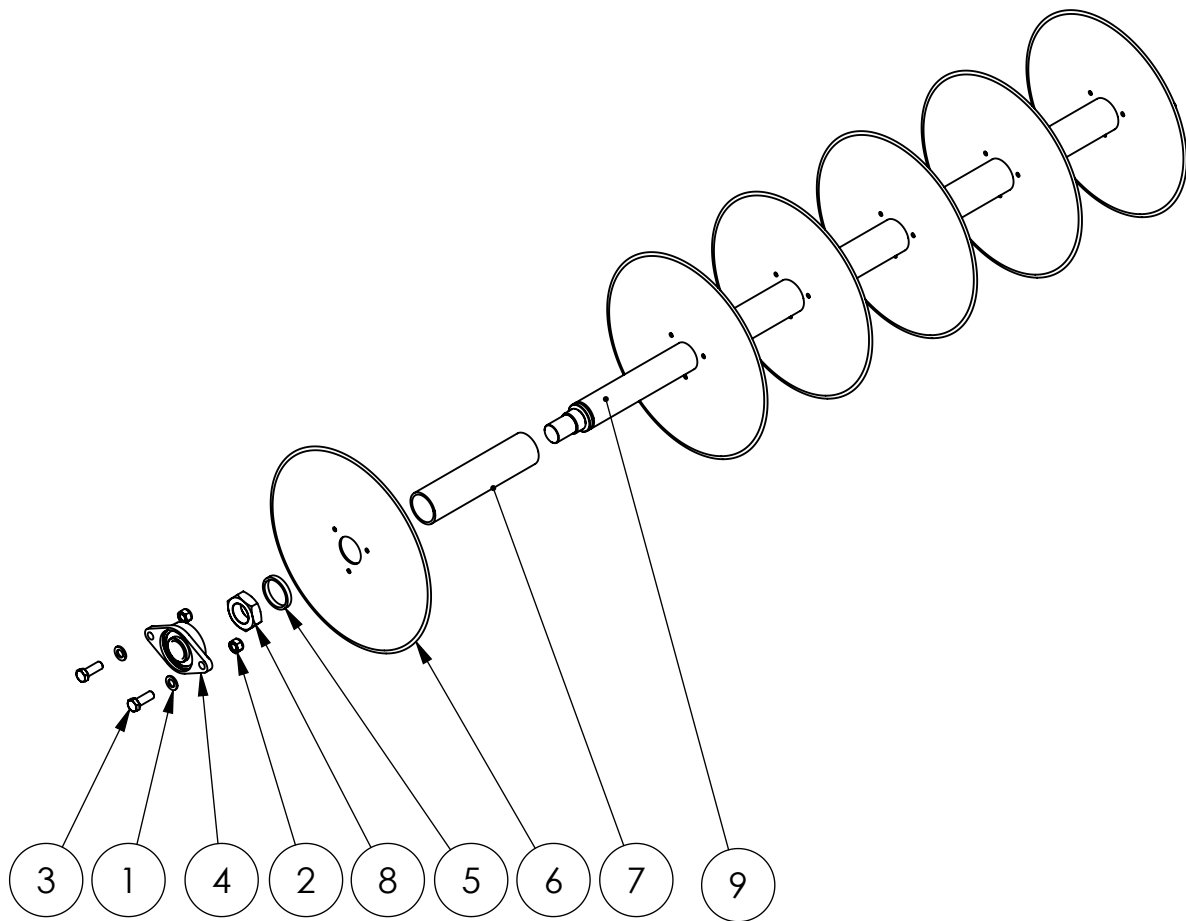
DETAIL A
SCALE 1 : 10

ITEM	PART NUMBER	DESCRIPTION	REMARKS	QUA
1	742.250.360	Bearing UCFL 205		4
2	478.050.916	Main Shaft Knives Ø200		2
3	406.500.100	Distance Bush Ø60/Ø50, L= 10		2
4	I 005137R	Disc Ø200 / 3mm		31
5	406.500.970	Distance Bush Ø60/Ø50, L= 97		29
6	828.450.220	Low Nut M45 x 1.5 Fine - DIN 439		4
7	864.160.030	Washer M16 - ISO 7089		16
8	830.160.160	Self Lock Nut M16 - ISO 10511		14
9	804.160.450	Bolt M16 x 45 - ISO 4017		8
10	406.500.600	Distance Bush Ø60/Ø50, L= 60		2
11	478.060.916	Main Shaft Knives Ø450		1



DETAIL C
SCALE 1 : 5

ITEM	PART NUMBER	DESCRIPTION	REMARKS	QUA
1	494.167.096	Frame Verti-Knife 1600		1
2	864.120.030	Washer M12 - ISO 7089		4
3	830.120.120	Self Lock Nut M12 - ISO 10511		4
4	864.060.030	Washer M6 - ISO 7089		16
5	830.060.060	Self Lock Nut M6 - ISO 10511		16
6	462.501.000	Jack Holder		4
7	864.100.030	Washer M10 - ISO 7089		32
8	830.100.100	Self Lock Nut M10 - ISO 10511		16
9	804.100.300	Bolt M10 x 30 - ISO 4017		16
10	462.300.900	Jack Lock		4
11	804.060.250	Bolt M6 x 25 - ISO 4017		8
12	460.403.020	Jack		4
13	474.123.700	Weldment hand grip		4
14	576.180.110	Pressure spring		4



ITEM	PART NUMBER	DESCRIPTION	REMARKS	QUA
1	864.160.030	Washer M16 - ISO 7089		4
2	830.160.160	Self Lock Nut M16 - ISO 10511		4
3	804.160.450	Bolt M16 x 45 - ISO 4017		4
4	742.400.520	Bearing UCFL 208		2
5	406.600.100	Distance Bush Ø70/Ø60, L= 10		2
6	1 007981	Disc Ø450 / 4mm		6
7	406.602.900	Distance Bush Ø70/Ø60, L= 290		5
8	828.450.220	Low Nut M45 x 1.5 Fine - DIN 439		2
9	478.060.916	Main Shaft Knives Ø450		1