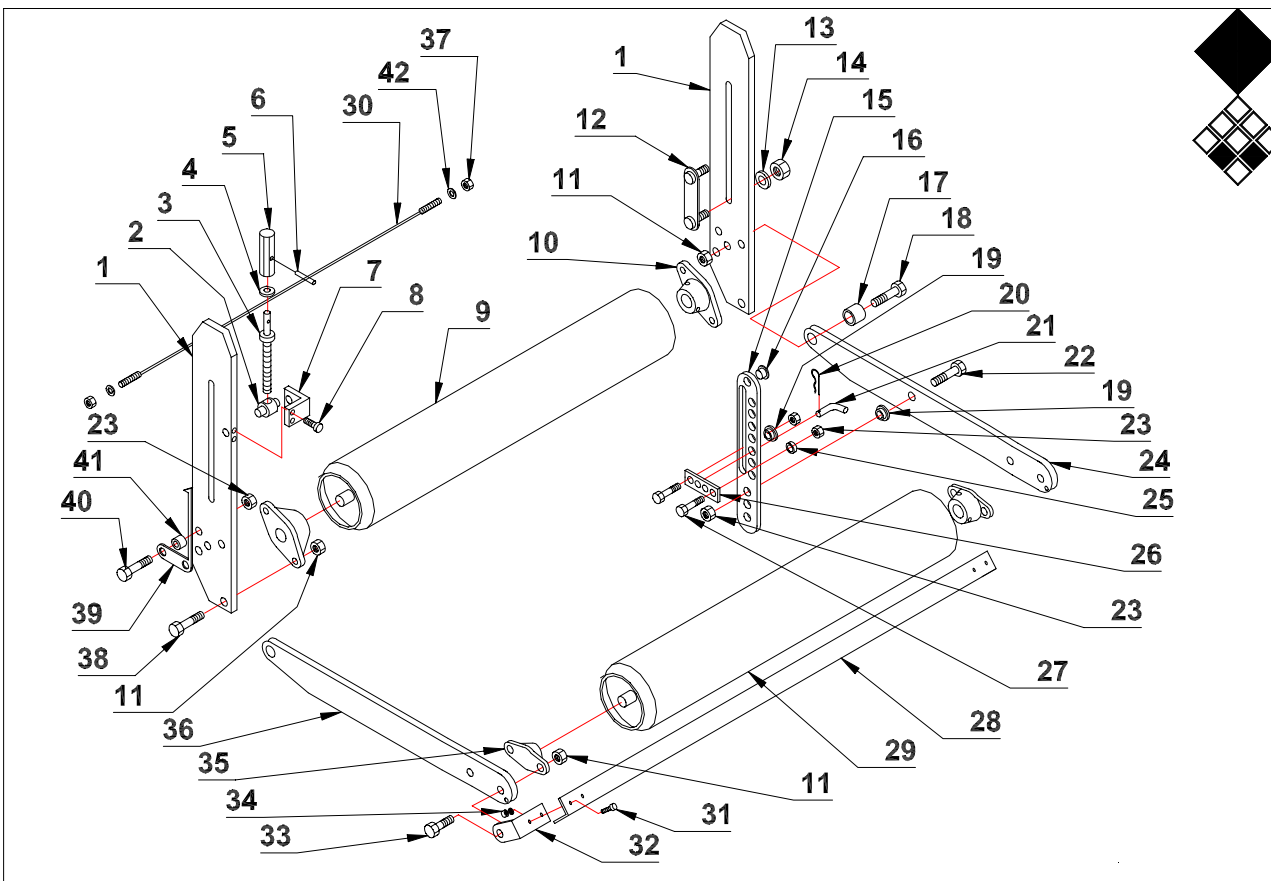


**Redexim-Charterhouse Verti-Drain 7212 pag 01 code 0401**

	PART #	DESCRIPTION	REMARKS	QUA
1	4191100	Winged nut		10
2	4100800	Self lock nut M6		10
3	2281783	Bottom PTO protection cover		1
4	4001030	Bolt M6 x 16		10
5	2281782	Top PTO protection cover		1
6	4397008	R pin		3
7	2251388	Top linkage strip		2
8	2611518	Distance bush top link		1
9	2490825	Top link pin		1
10	4123800	Self lock nut M16		1
11	4122600	Self lock nut M12		4
12	9100030	Manual/ tool box complete		1
13	9100004	Operators and parts manual 7212		1
14	9100025	Combi tool		1
15	2211492	Front cover 7212		1
16	2305998	Main frame 7212		1
17	2282178	Rear cover 7212		1
18	4012114	Gearbox fix bolt 7212		4
19	4122000	Self lock nut M10		2
20	4122000	Self lock nut M10		6
21	4091050	Eye bolt		2
22	2891200	Knurled nut		2
23	4001688	Bolt M 10 x 50		2
24	9100002	Set safety decalls		1
25	9100000	Set machine decalls for 7212		1
26	2281736	Protection plate		2
27	4001644	Bolt M10 x 25		4
28	4122000	Self lock nut M10		4
29	4001653	Bolt M10 x 30		2
30	4122000	Self lock nut M10		6
31	4001644	Bolt M10 x 25		6
32	4121400	Self lock nut M8		2
33	4972008	Rubber stop		2
34	4001858	Bolt M12 x 45		2
35	2490881	3-point bottom pin		2
36	4001866	Bolt M12 x 50		2
37	2251384	Top linkage support strip		2
38	4002408	Bolt M16 x 120		1
39	4125800	Self lock nut M 22		2

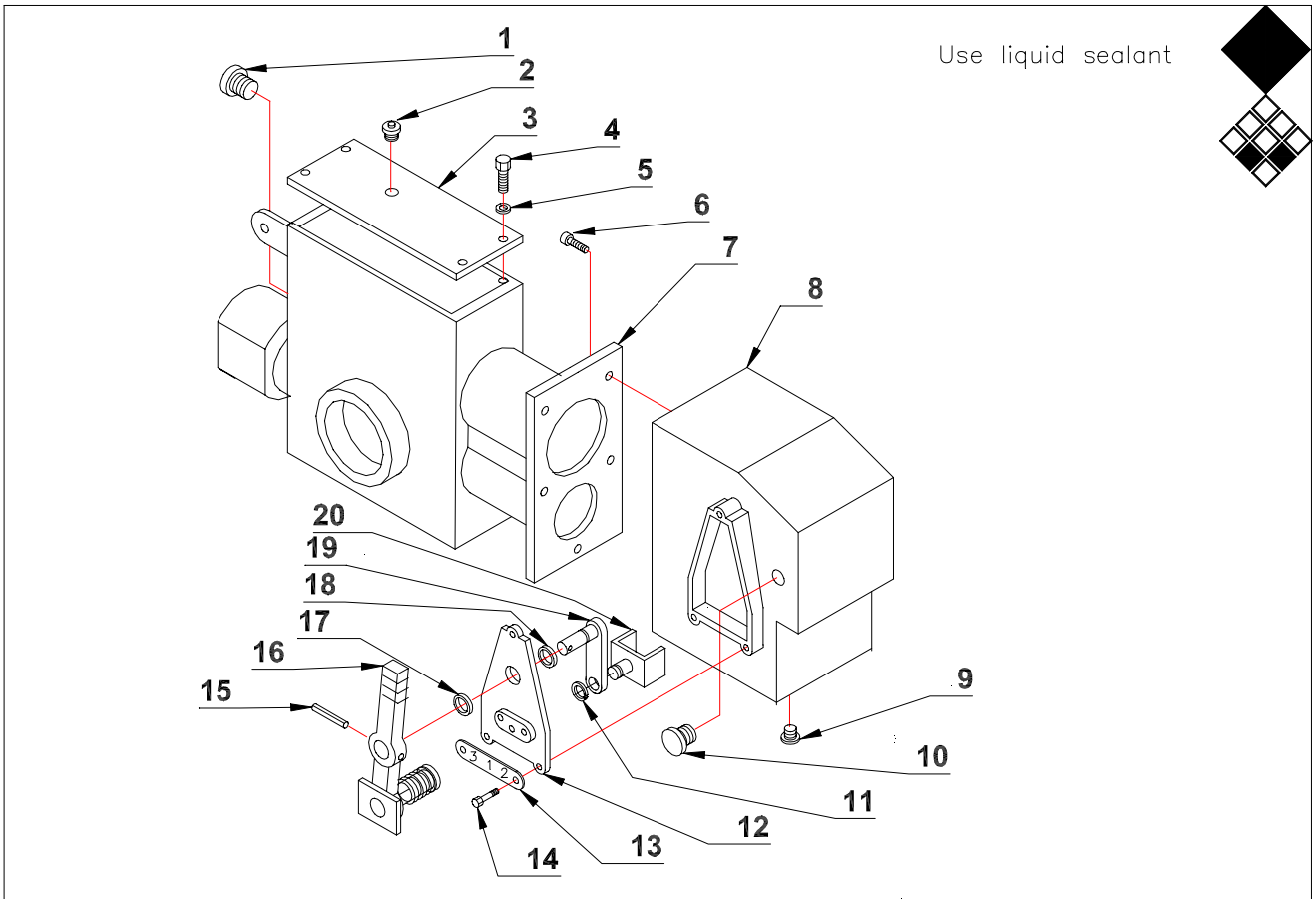


**Redxim-Charterhouse Verti-Drain 7212 pag 02 code 0720**

Check on your machine which front roller scraper and rear roller supports you have see page 03

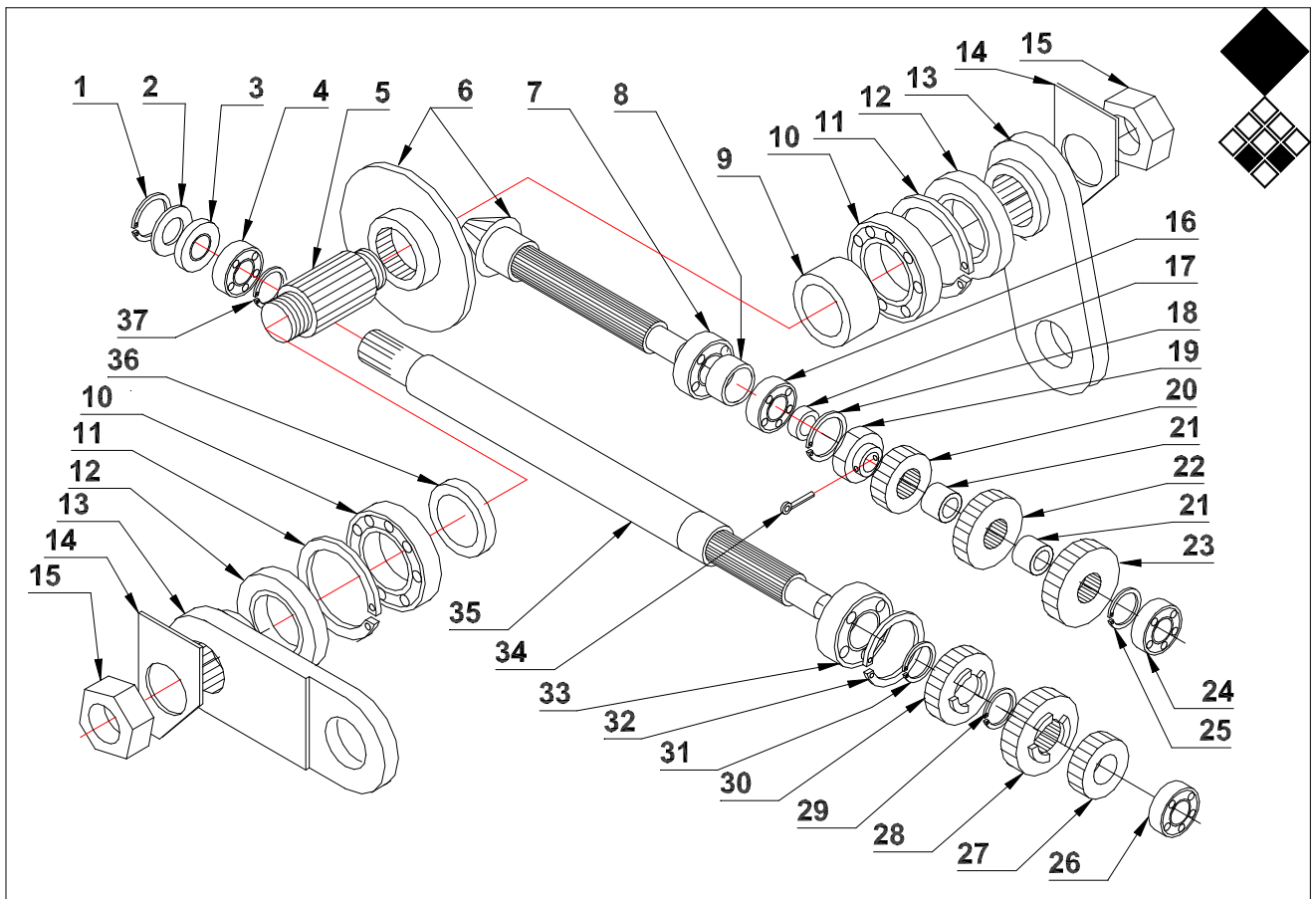
	PART #	DESCRIPTION	REMARKS	QUA
1	2281746	Front roller support 7212		2
2	2282098	Spindle nut		2
3	2692101	Spindle		2
4	4910120	Washer		2
5	2282094	Spindle head		2
6	4311020	Roll pin		2
7	2282096	Spindle nut bracket		2
8	4001432	Bolt M8 x 25		4
9	2343992	Front roller 7212		1
10	4833990	Front roller bearing		2
11	4122600	Self lock nut M12		10
12	2282092	Bolt assembly		2
13	4910160	Washer M 16		4
14	4123800	Self lock nut M16		4
15	2281745	Rear roller support guide		2
16	4972550	Plastic stop		2
17	2611514	Pivot bush rear roller support		2
18	4001866	Bolt M12 x 50		2
19	2611510	Guide bush		4
20	4397000	R pin		2
21	2499114	Lock pin rear roller support guide		2
22	4001680	Bolt M10 x 45		2
23	4122000	Self lock nut M 10		8
24	2281741	Rear roller support right		1
25	2611516	Distance bush		2
26	2281744	Plate		2
27	4001680	Bolt M10 x 45		4
28	2281960	Rear roller scraper profile		1
29	2343992	Rear roller 7212		1
30	2281737	Wire scraper		1
31	4001424	Bolt M8 x 20		4
32	2281962	Bracket support for rear roller scraper		2
33	4001866	Bolt M 12 x 50		4
34	4121400	Self lock nut M8		4
35	4833990	Rear roller bearing 7212		2
36	2281743	Rear roller support left		1
37	4100800	Nut M6		4
38	4001858	Bolt M12 x 45		4
39	2281738	Height indicator		2
40	4001680	Bolt M10 x 45		4
41	2611516	Distance bush		4
42	4910060	Washer		2





Redexim-Charterhouse Verti-Drain 7212 pag 04 code 0401

PART #	DESCRIPTION	REMARKS	QUA
1	4561000	Tap	1
2	4067008	Breather gearbox	1
3	2471220	Top plate gearbox	1
4	4001424	Bolt m 8 x 20	4
5	4211040	Washer	4
6	4001424	Bolt m 8 x 20	5
7	2401203	Front part gearbox	1
8	2401204	Rear part gearbox	1
9	4561000	Drain plug	1
10	2696010	Level/ fill glass	1
11	4752009	Cir clip	1
12	2471241	Side cover gearbox	1
13	2281739	Gear indicator plate	1
14	4001424	Bolt m 8 x 20	3
15	4311000	Roll pin	1
16	1991400	Handle gearbox	1
17	2894039	Plastic washer	1
18	4420170	O ring	1
19	2469200	Lever with pin	1
20	2779976	Fork	1
1441203	Gearbox complete		
	Gearbox to be filled with life time grease EP 00		2.4ka
	Use silicon paste to seal all covers.		



Redexim-Charterhouse Verti-Drain 7212 pag 05 code 0950

PART #	DESCRIPTION	REMARKS	QUA
1	4720072	Cir Clip	1
2	2661256	Washer	1
3	4406420	Oil seal	1
4	4815110	Ball bearing	1
5	2462010	Splined main shaft	1
6	2526400	Crownwheel and pinion	1
7	4810470	Ball bearing	1
8	2611200	Distance bush	1
9	2613000	Distance bush	1
10	4817050	Bearing	2
11	4720100	Cir clip	2
12	4409160	Oil seal	2
13	2447200	Splined arm	2
14	2281800	Lock plate	2
15	4109200	Nut	2
		Use loctite as well	
16	4810470	Bearing	1
17	2611208	Distance bush	1
18	4720080	Cir clip	1
19	4135000	Castle Nut	1
20	2504381	Gear wheel z=13	1
21	2611212	Distance bush	2
22	2504420	Gearwheel z=17	1
23	2504400	Gearwheel z=15	1
24	4816750	Bearing	1
25	4710035	Cir clip	1
26	4816750	Bearing	1
27	2504467	Gearwheel z=21	1
28	2504442	Gearwheel z= 19	1
29	4755035	Cir clip	1
30	2504481	Gearwheel z=23	1
31	4710035	Cir clip	1
32	4720072	Cir clip	1
33	4815110	Bearing	1
34	4317430	Cotter pin	1
35	2460400	Input shaft	1
36	4307030	Distance bush	1
37	4710035	Cir clip	1





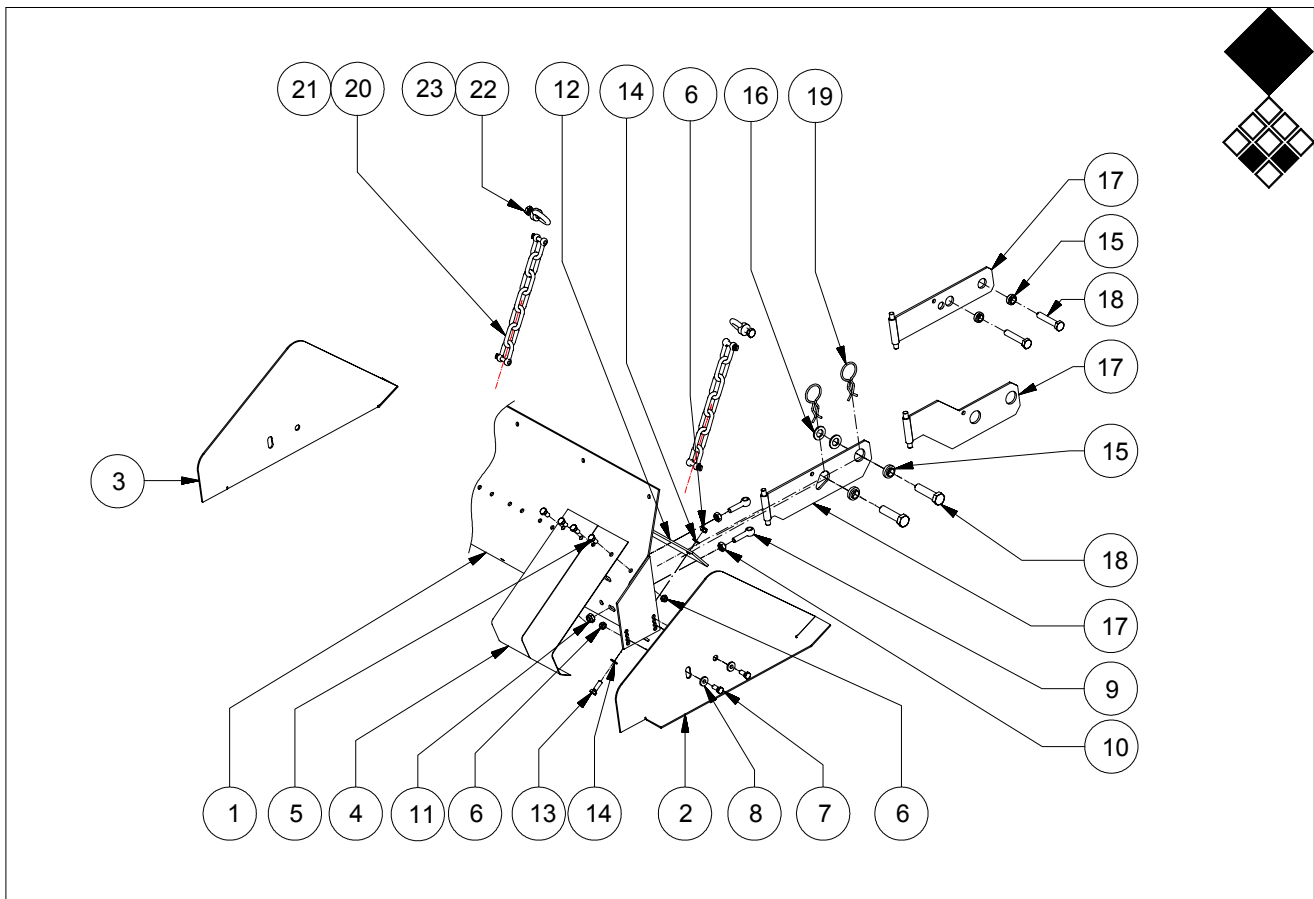












**Redexim-Charterhouse Verti-Drain Core Collector pag 12 code 0638**

	<b>PART # 7316 / 7416 / 7516</b>	<b>PART # 7215</b>	<b>PART # 7212</b>	<b>PART # 7113</b>	<b>PART # 7117</b>	<b>DESCRIPTION</b>	<b>QUA</b>
1	470.049.182	470.049.182	470.049.156	470.049.182	470.049.202	Frame beam	1 / 1 / 1 / 1
2	468.035.420	same	same	same	same	Right side plate	1 / 1 / 1 / 1
3	468.035.422	same	same	same	same	Left side plate	1 / 1 / 1 / 1
4	468.013.100	same	same	same	same	Blade spring	18 / 18 / 15 / 20
5	804.080.160	same	same	same	same	Bolt M8 x 16	36 / 36 / 30 / 40
6	830.080.080	same	same	same	same	Nut M8	49 / 49 / 43 / 53
7	804.080.200	same	same	same	same	Bolt M8 x 20	4 / 4 / 4 / 4
8	404.080.700	same	same	same	same	Distance bush D=8mm h=6.5mm	4 / 4 / 4 / 4
9	822.100.400	same	same	same	same	Eye bolt	4 / 4 / 4 / 4
10	826.100.100	same	same	same	same	Nut M10	4 / 4 / 4 / 4
11	830.100.100	same	same	same	same	Self locking nut M10	4 / 4 / 4 / 4
12	446.049.181	446.049.181	446.049.151	446.049.181	446.049.201	Rubber strip	1 / 1 / 1 / 1
13	804.080.250	same	same	same	same	Bolt M8 x 25	9 / 9 / 9 / 9
14	864.060.030	same	same	same	same	Washer M8	18 / 18 / 18 / 18
15	404.160.100	404.120.100	404.120.100	404.160.100	404.160.100	Distance bush	4 / 4 / 4 / 4
16	864.160.030	864.120.030	864.120.030	864.160.030	864.160.030	Washer	4 / 4 / 4 / 4
17	470.052.950	470.052.800	470.052.800	470.053.000	470.053.000	Support arm	2 / 2 / 2 / 2
18	802.160.650	802.120.650	802.120.650	802.160.650	802.160.650	Bolt M16x65	4 / 4 / 4 / 4
19	523.030.752	same	same	same	same	Special R-Clip d=3	4 / 4 / 4 / 4
20	846.064.300	same	same	same	same	Chain d=5mm, 0.5mtr	2 / 2 / 2 / 2
21	846.080.241	same	same	same	same	D-shakle M8	4 / 4 / 4 / 4
22	822.100.360	same	same	same	same	Eye nut M10	2 / 2 / 2 / 2
23	802.100.300	same	same	same	same	Bolt M10 x 30	2 / 2 / 2 / 2
24							
25							
26							
27							
28							
29							
30							
31							
32							
33							
34							
35							
36							
37							
38							
39							
40							

