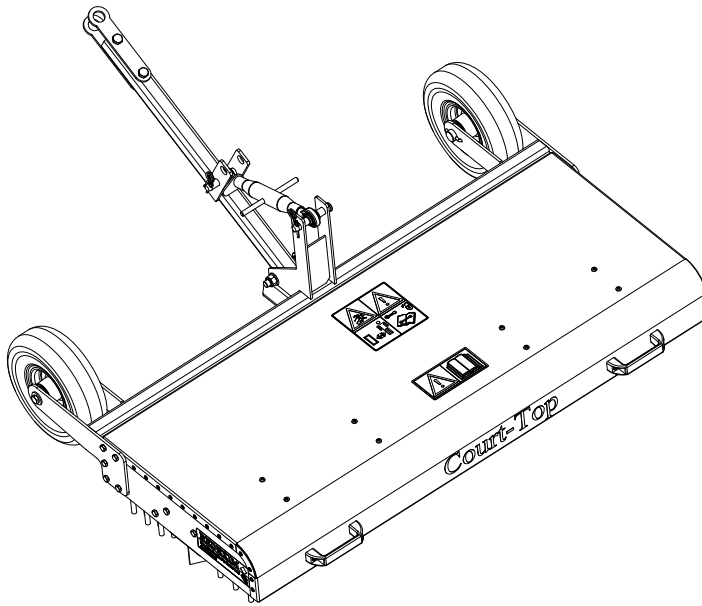
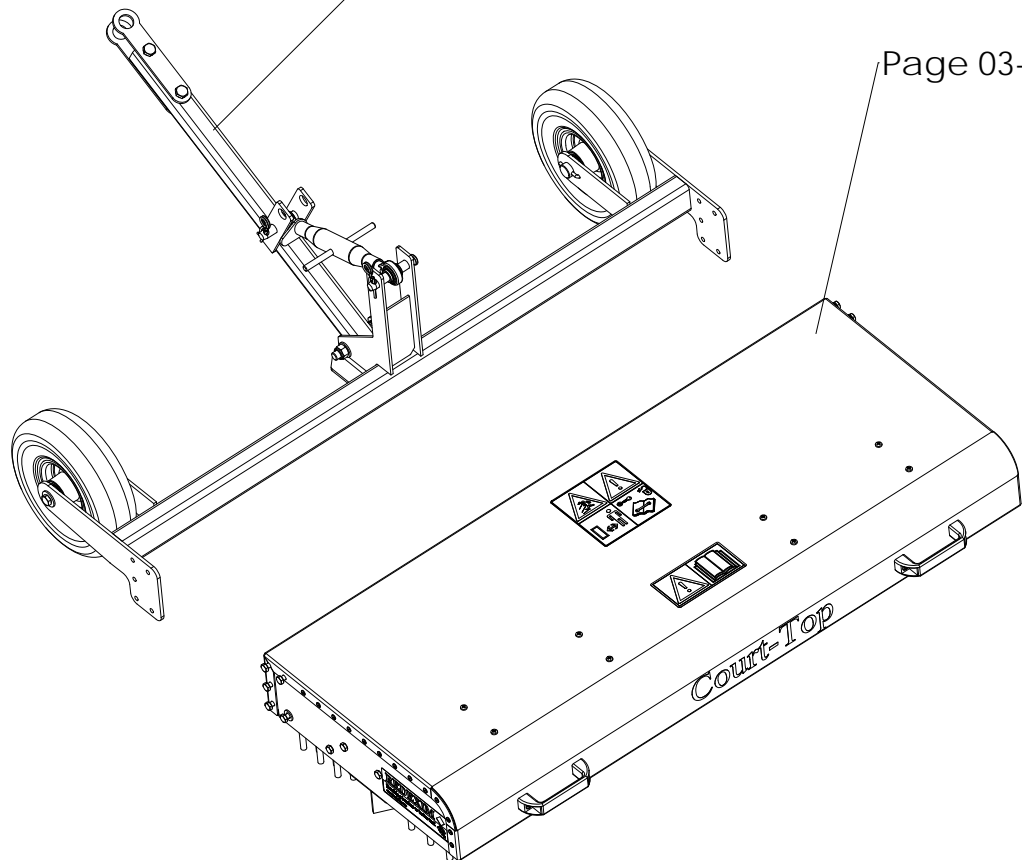


Parts manual



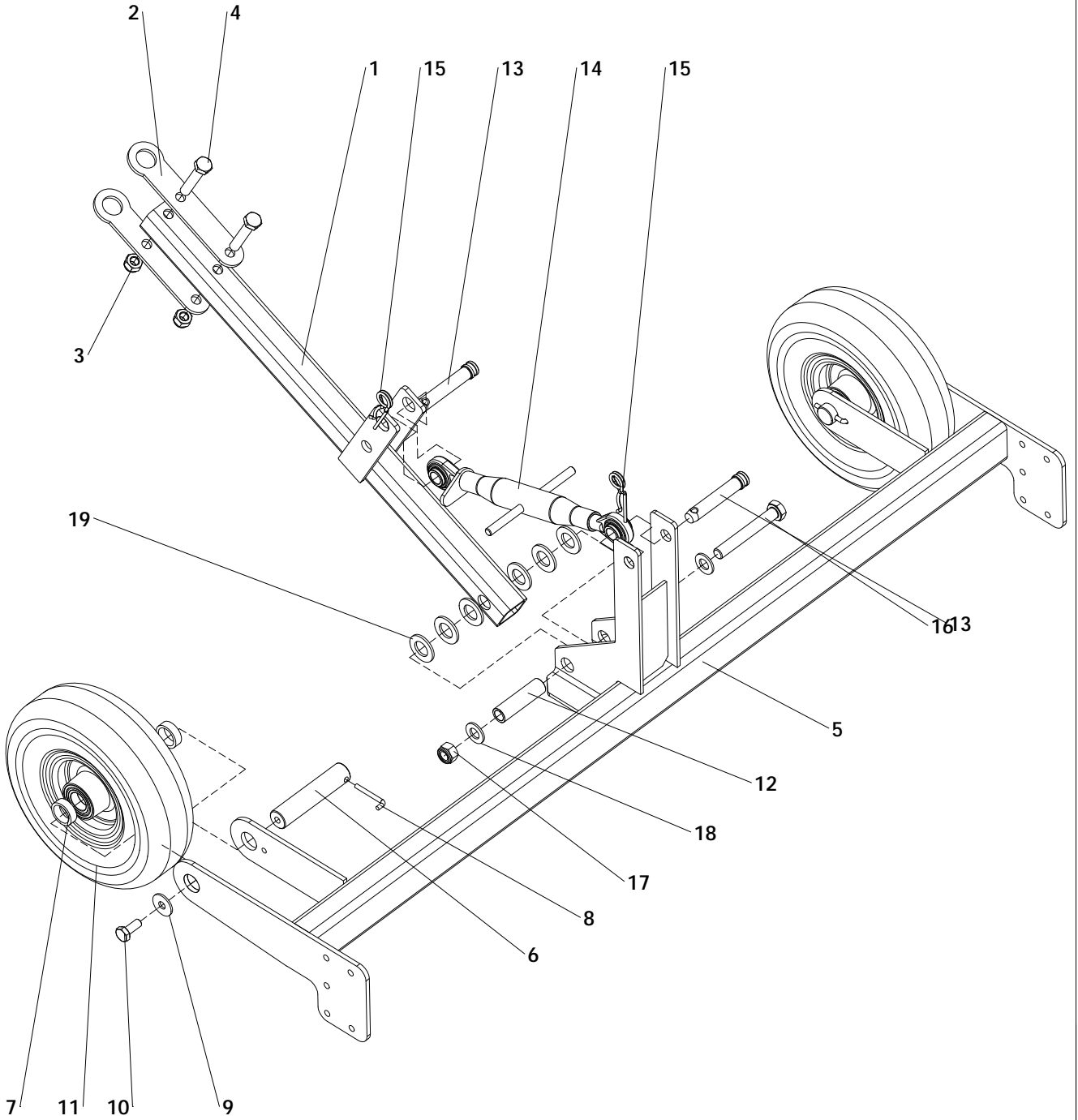


Page 02

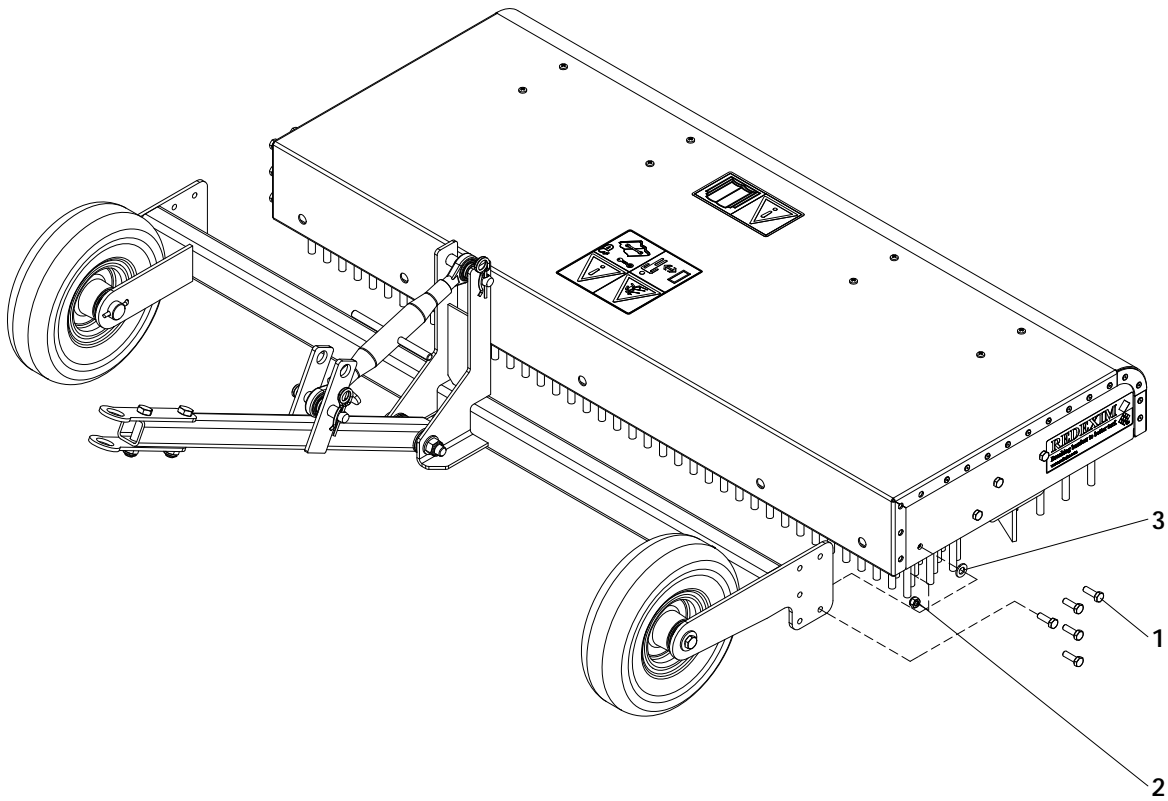


Page 03-06

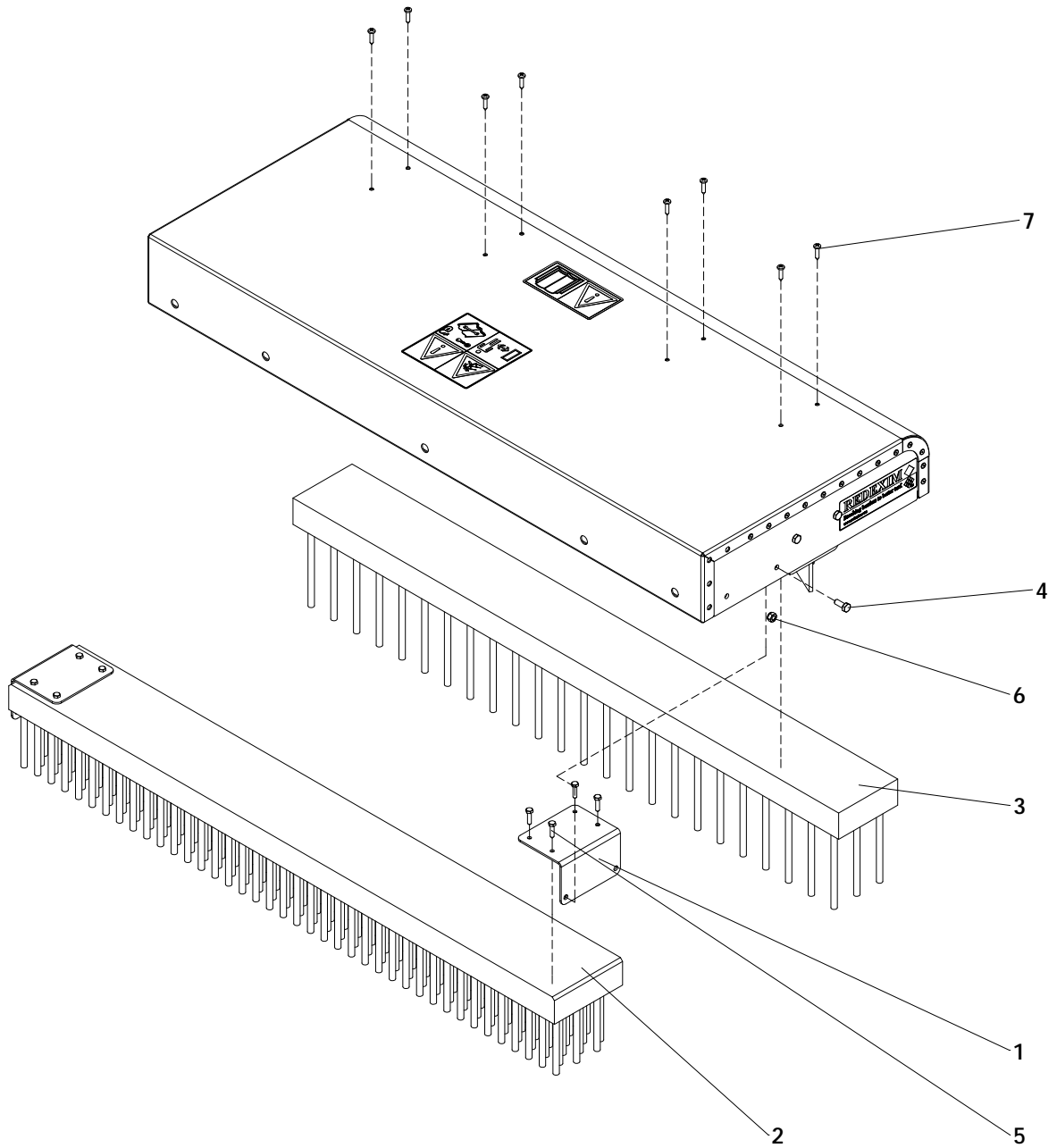
Decalls Page 07



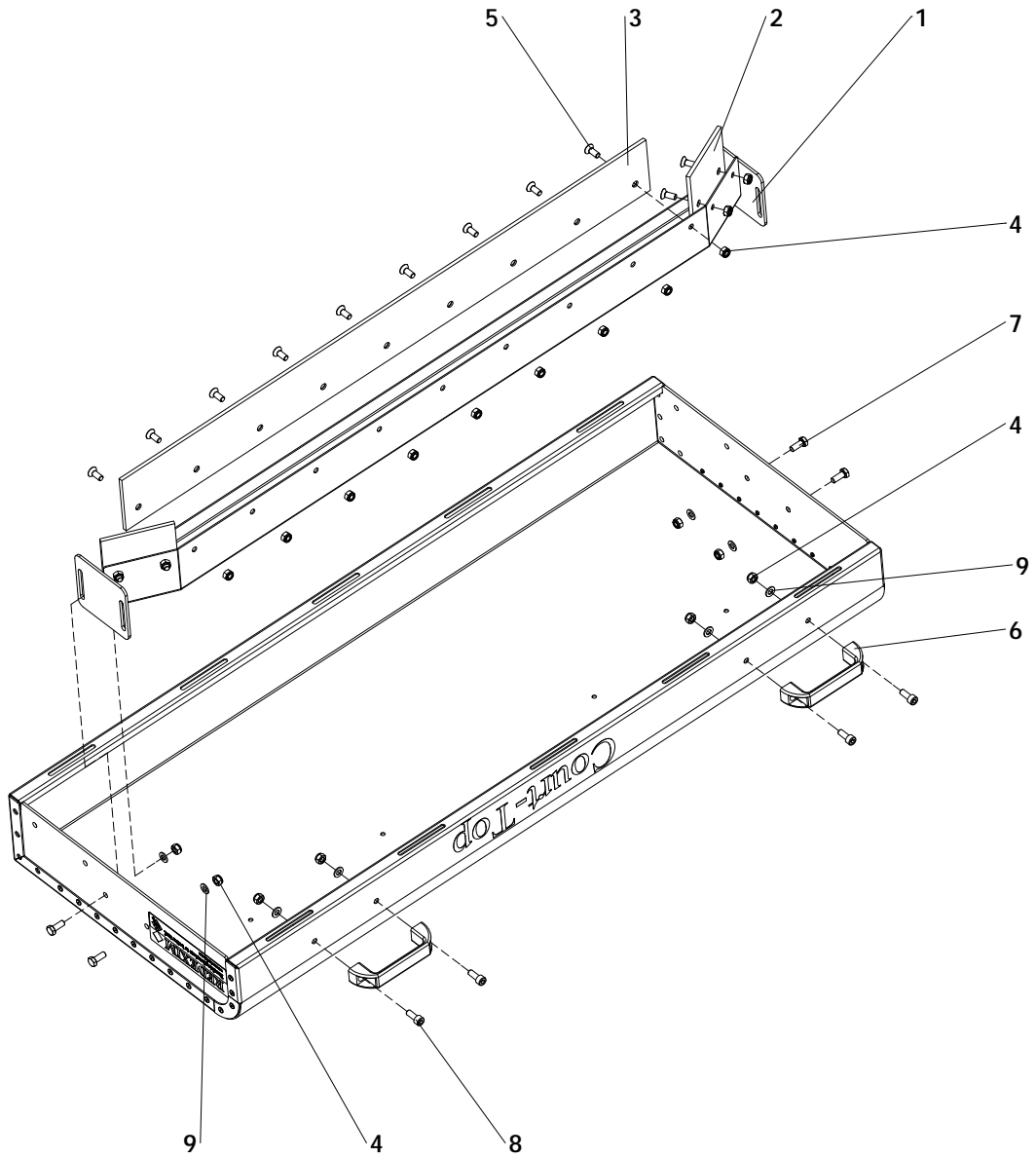
ITEM	PART NUMBER	DESCRIPTION	REMARKS	QUA
1	462.406.500	Drawbar		1
2	468.051.930	Towbar		2
3	830.120.120	Self Lock Nut M12 - ISO 10511		2
4	802.120.650	Bolt M12 x 65 - ISO 4014		2
5	494.122.033	Wheel frame		1
6	416.250.950	Wheel axle		2
7	406.250.100	Distance bush Ø32/Ø25 L=10		4
8	424.050.350	Wheel shaft pin		2
9	864.100.031	Large washer M10 - DIN 9021		2
10	804.100.250	Bolt M10 x 25 - ISO 4017		2
11	511.255.085	Wheel 8x3.00-4		2
12	404.140.720	Distance bush Ø19.9/Ø14.1 L=72		1
13	521.161.000	Top link pin Cat. 0 - 16.1 x 100		2
14	522.163.000	Toplink Cat. 0 L0=300 Stroke=200		1
15	523.030.750	R-Clip Round 3, DIN 11024		2
16	802.141.000	Bolt M14 x 100 - ISO 4014		1
17	830.140.140	Self Lock Nut M14 - ISO 10511		1
18	864.140.030	Washer M14 - ISO 7089		2
19	864.200.030	Washer M20 - ISO 7089		6



ITEM	PART NUMBER	DESCRIPTION	REMARKS	QUA
1	804.080.250	Bolt M8 x 25 - ISO 4017		10
2	830.080.080	Self Lock Nut M8 - ISO 10511		10
3	864.100.030	Washer M10 - ISO 7089		2

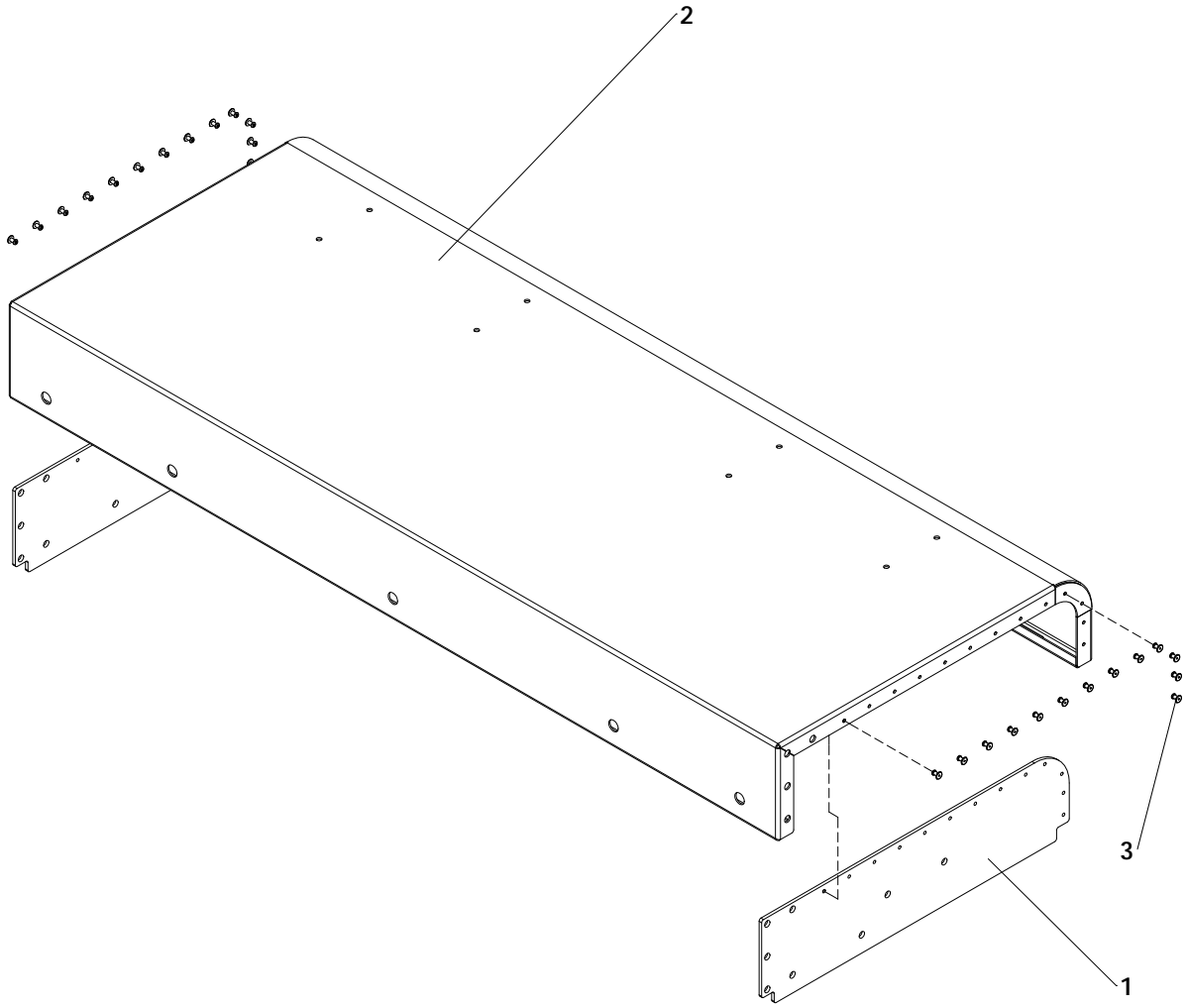


ITEM	PART NUMBER	DESCRIPTION	REMARKS	QUA
1	468.031.301	Support plate		2
2	486.111.200	Brush Court Top WL=110 L=1200		1
3	486.151.200	Brush Court Top WL=150 L=1200		1
4	804.080.200	Bolt M8 x 20 - ISO 4017		2
5	824.060.250	DIN 571 Woodscrew 6x25 4.6		8
6	830.080.080	Self Lock Nut M8 - ISO 10511		2
7	860.060.250	Tapping screw DIN 7049 St5.5x25		8

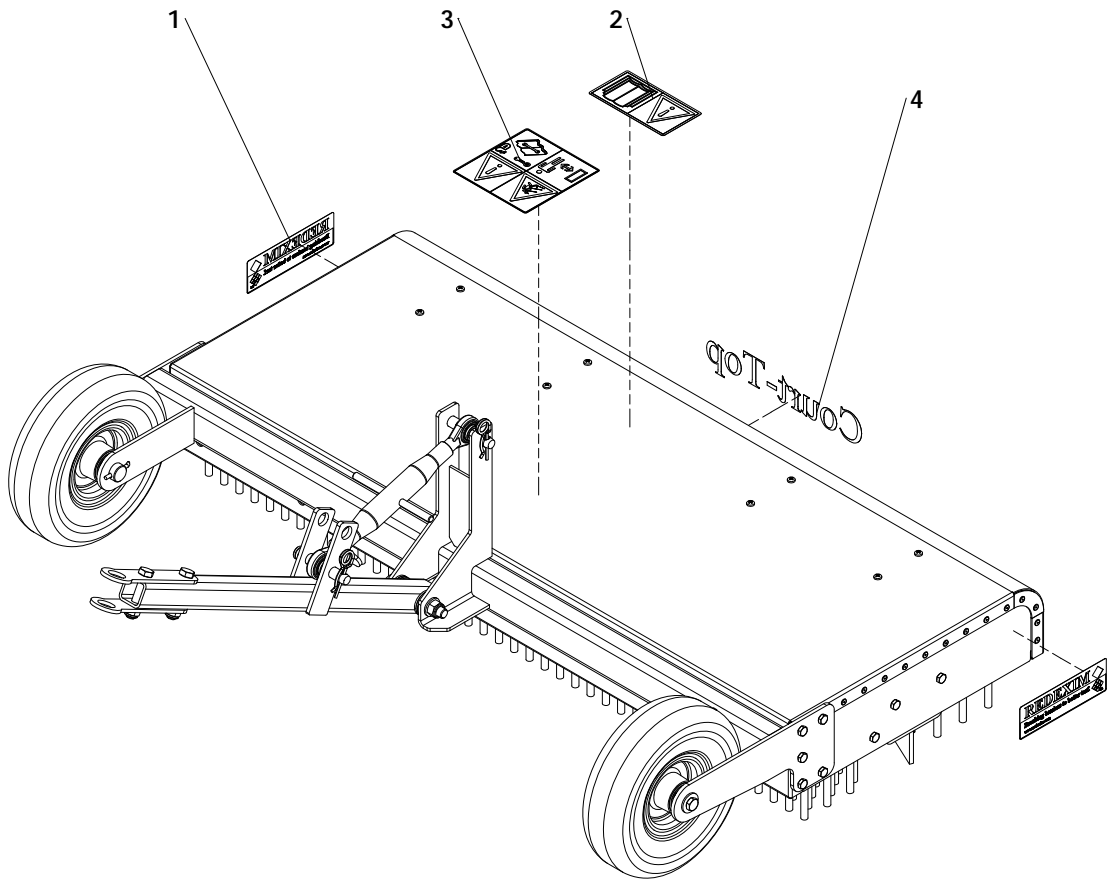


BOM Table(Restructured)

ITEM	PART NUMBER	DESCRIPTION	REMARKS	QUA
1	470.029.124	Scraper frame		1
2	444.061.100	Scraper plate		2
3	444.069.920	Scraper plate		1
4	830.080.080	Self Lock Nut M8 - ISO 10511		21
5	816.080.202	Bolt M8 x 20 - DIN 7991		13
6	444.151.250	Handle		2
7	804.080.200	Bolt M8 x 20 - ISO 4017		4
8	814.080.200	Bolt M8 x 20 - DIN 912		4
9	864.080.030	Washer M8 - ISO 7089		8



ITEM	PART NUMBER	DESCRIPTION	REMARKS	QUA
1	468.044.880	Side plate		2
2	470.029.122	Frame Court Top		1
3	886.040.120	Blind rivet 4x12		26



ITEM	PART NUMBER	DESCRIPTION	REMARKS	QUA
1	900.260.403	Logo Label Rev.B		2
2	900.280.402	Safety decall manual		1
3	933.280.402	Safety decall Rink Verti-Top		1
4	946.260.000	Label Court Top		1