

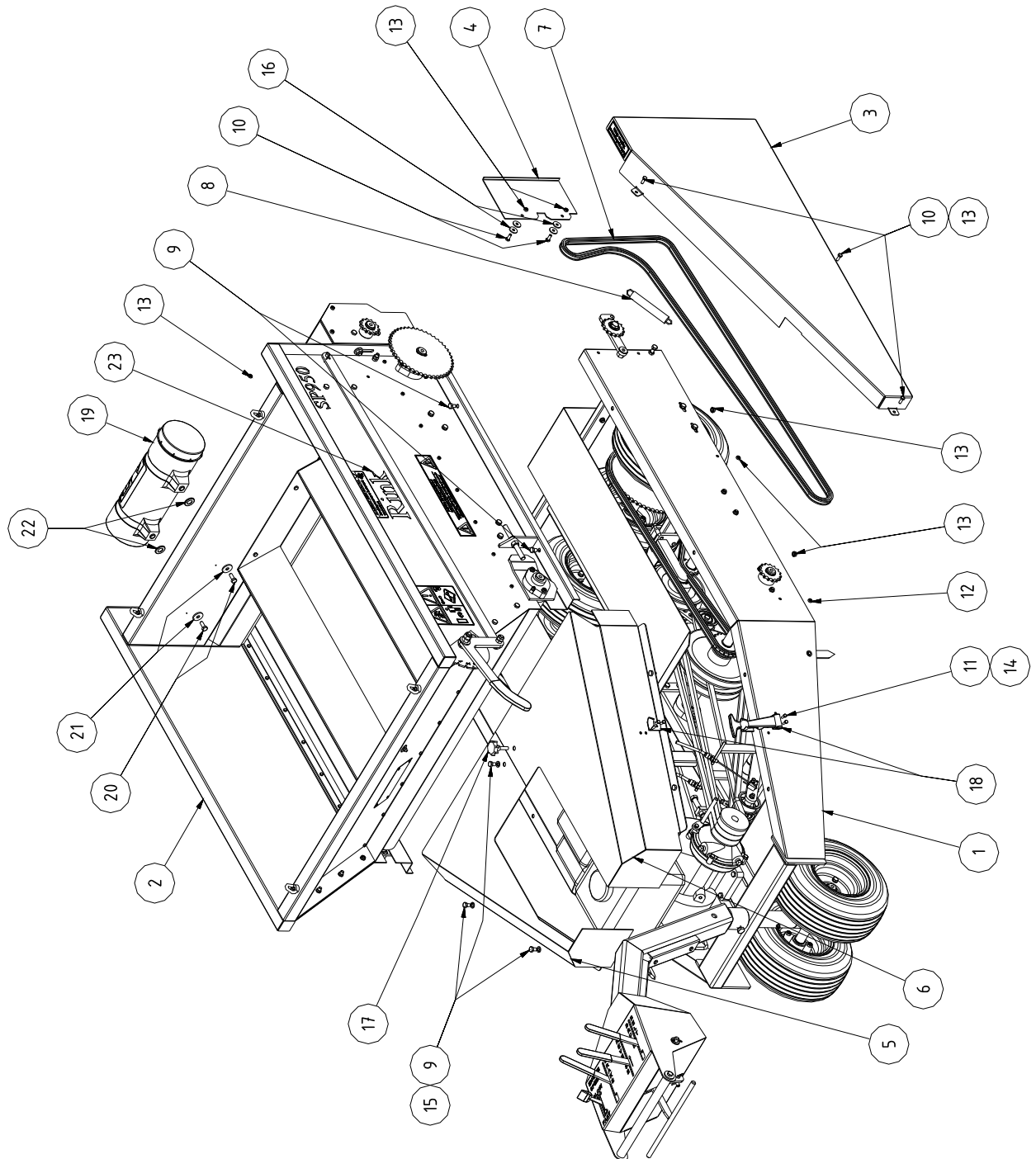
Parts manual

RINK SP950



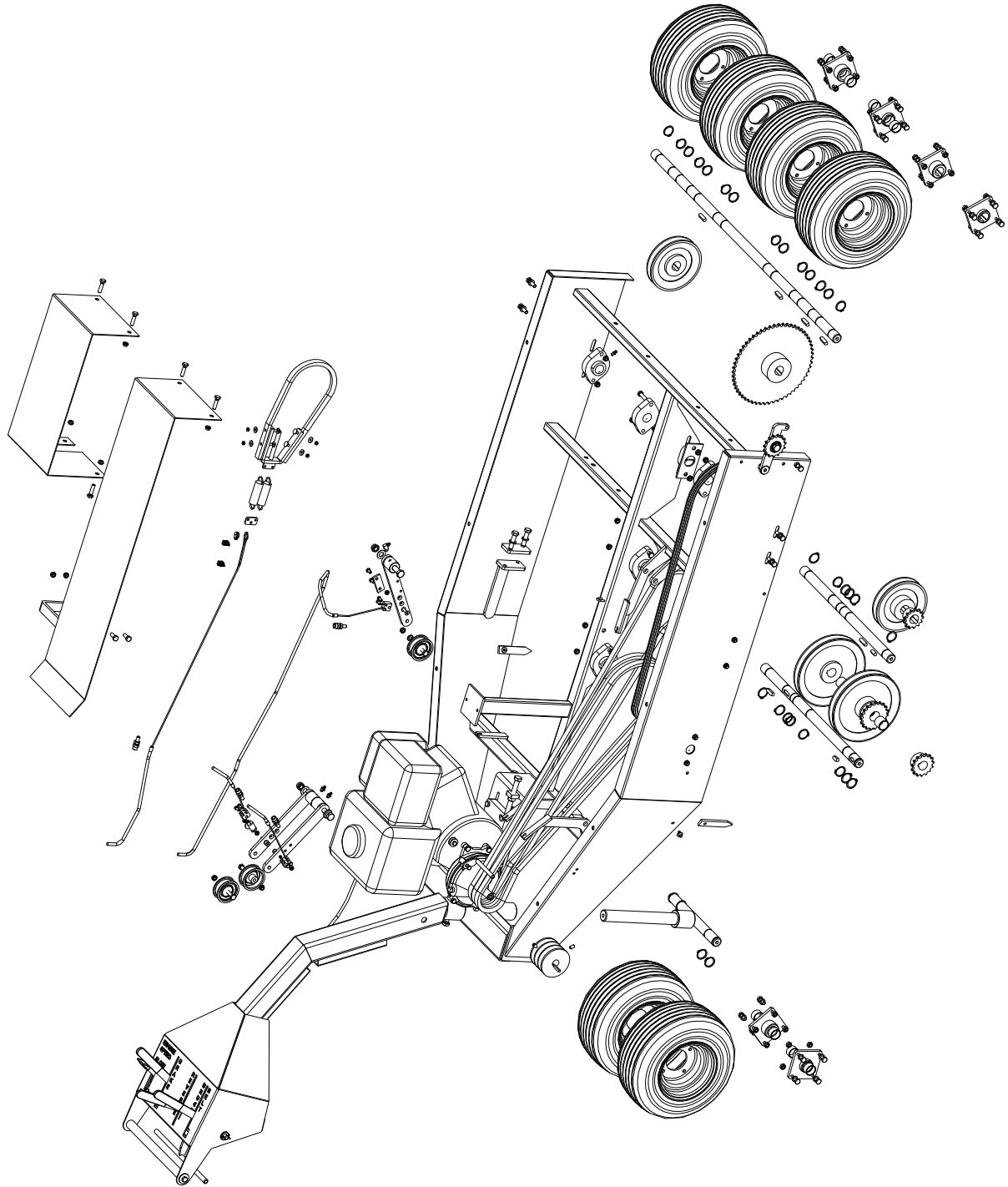
To make sure you will get the right parts you need to give the next information with your parts order:

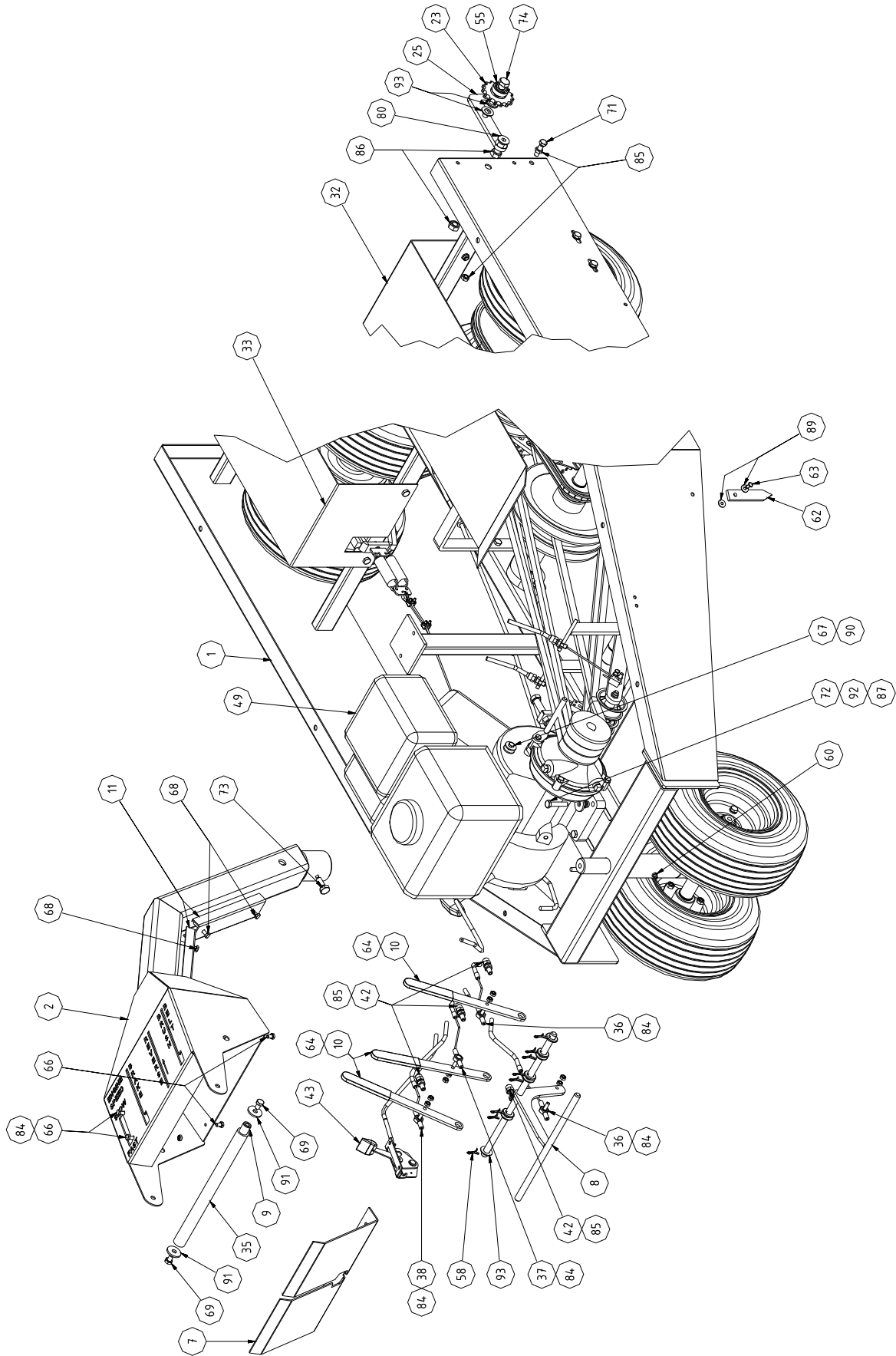
- Serial number
- Year of production if possible
- Part number
- Description

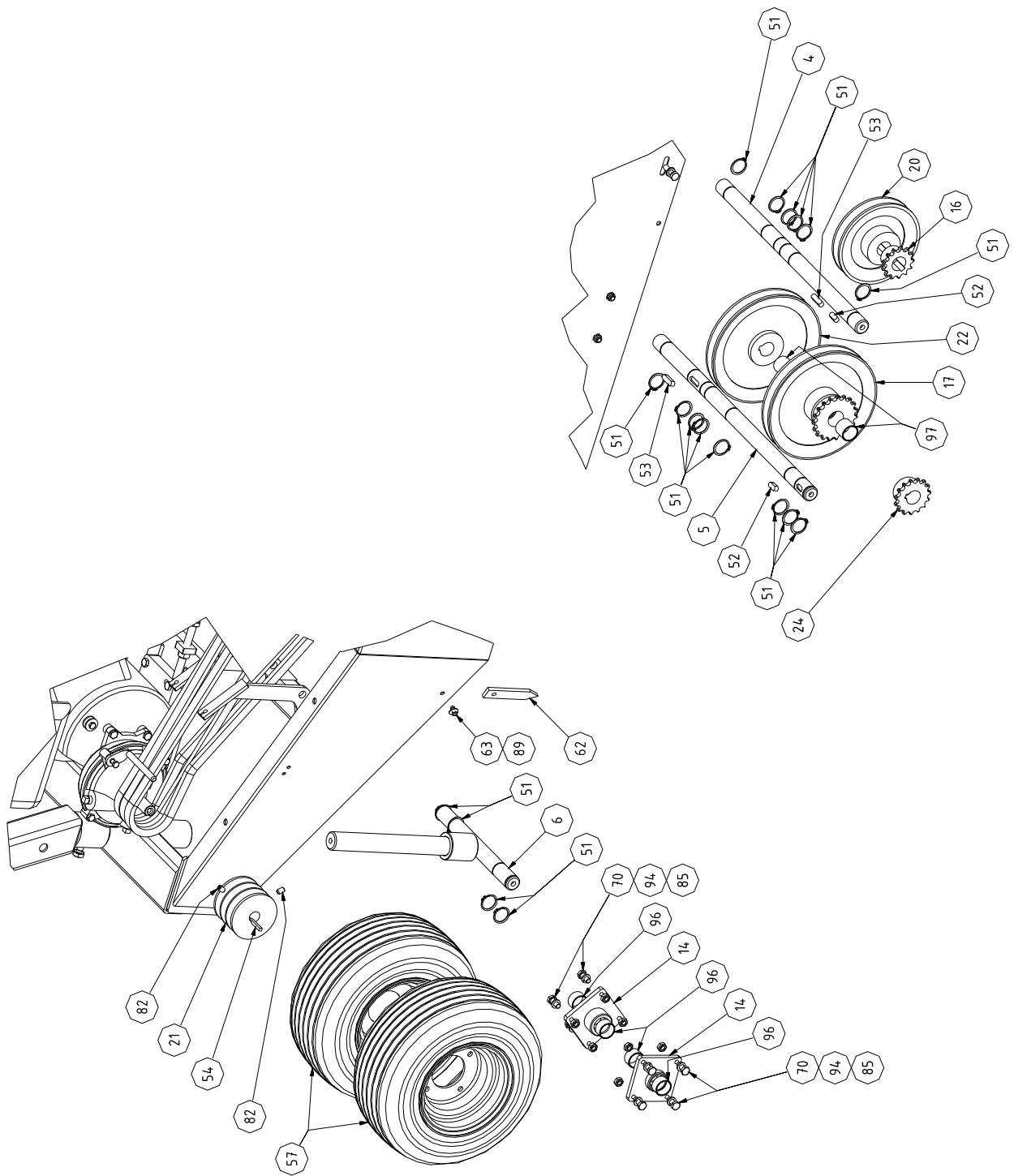


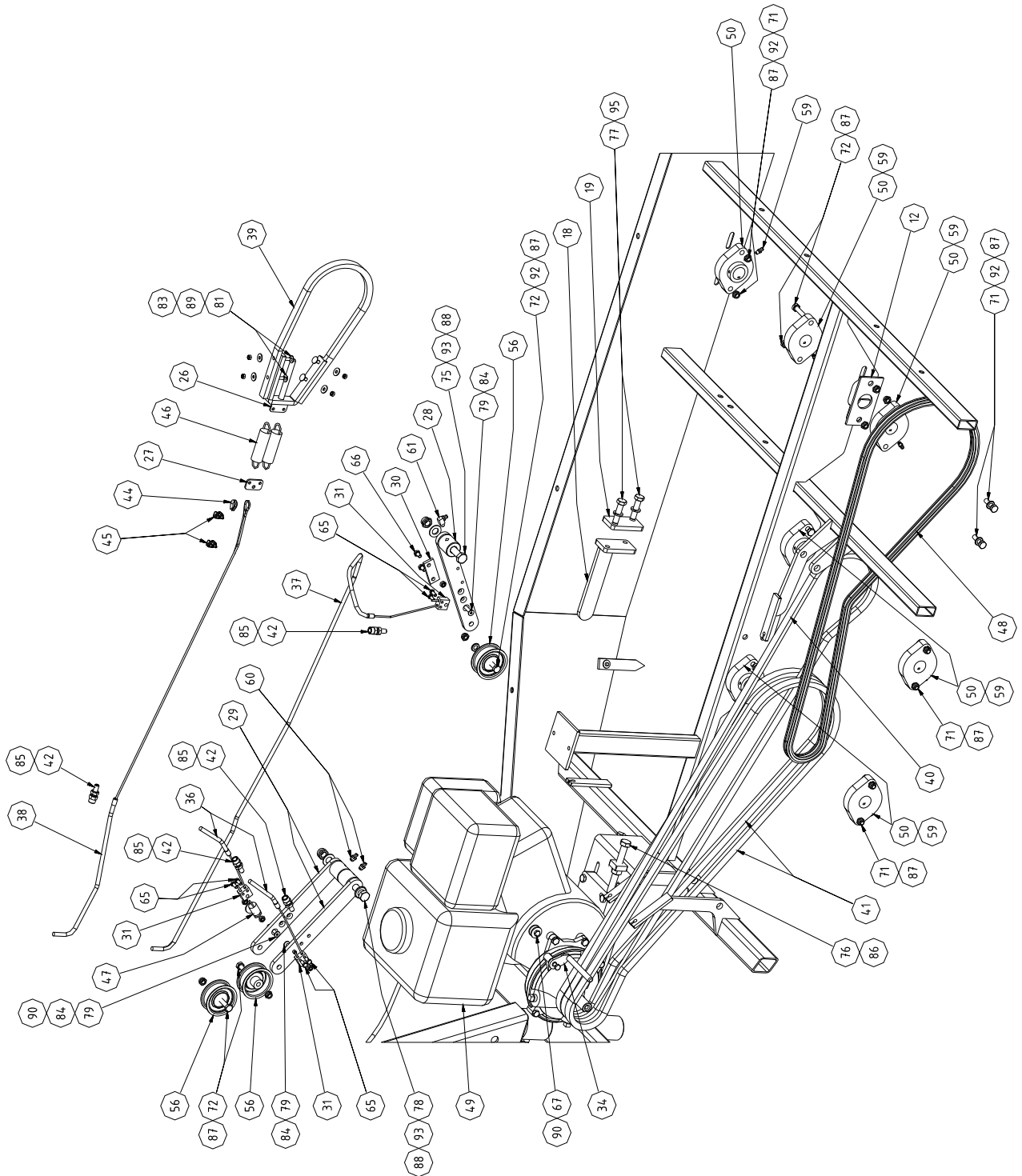
Redexim RINK SP950 – Main frame**Code 1344**

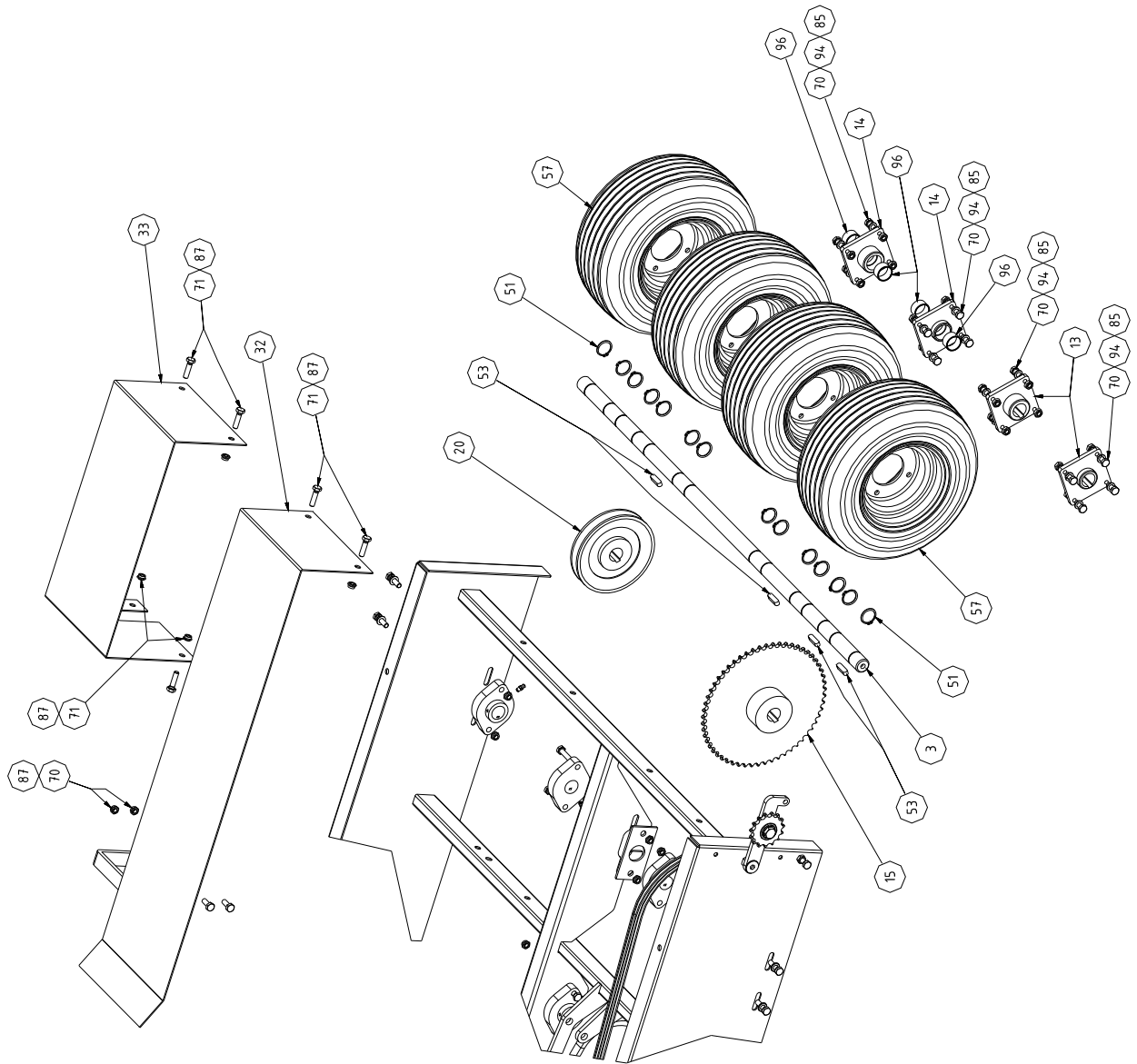
Pos.	Partnumber	Description	Remarks	Qua
1	RGS16710	Main frame complete		1
2	RGS16700	Hopper		1
3	RGS11080	Side cover		1
4	RGS11081	Chain protection plate		1
5	RGS16719	Engine cover left		1
6	RGS16718	Engine cover right		1
7	RGS10822	Chain for spreading		1
8	RGS11019	Spring		1
9	804.080.120	Bolt M8x12		7
10	804.060.160	Bolt M6x16		5
11	804.050.120	Bolt M5x12		4
12	830.080.080	Self lock nut M8		4
13	826.060.060	Nut M6		5
14	830.050.050	Self lock nut M5		4
15	866.080.020	Spring washer M8		3
16	864.060.031	Large washer M6		4
17	836.080.560	Knurled Knob M8x30		1
18	RGS10315	Clamp		1
19	444.803.100	Manual/Toolbox		1
	900.280.402	Safety decall manual		1
20	804.080.300	Bolt M8x30		2
21	864.080.031	Large washer M8		2
22	864.140.030	Washer M14		2
23	933.280.402	Safety label		2
	933.260.402	Label Rink		2
	944.260.406	Label SP		2
	933.260.424	Label 950		2
	900.260.403	Label logo		2











Redexim RINK SP950 – Main frame

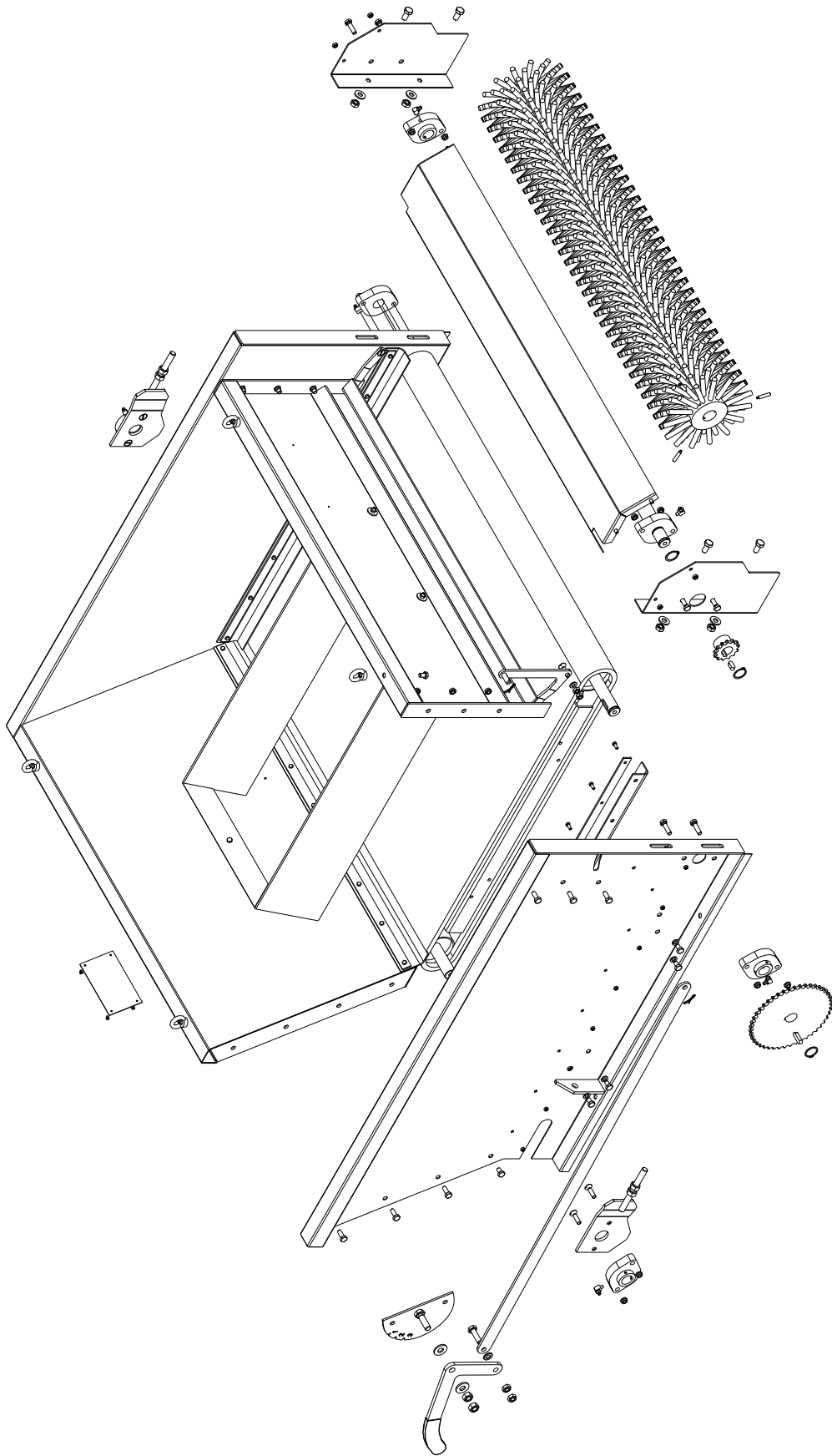
Code 1344

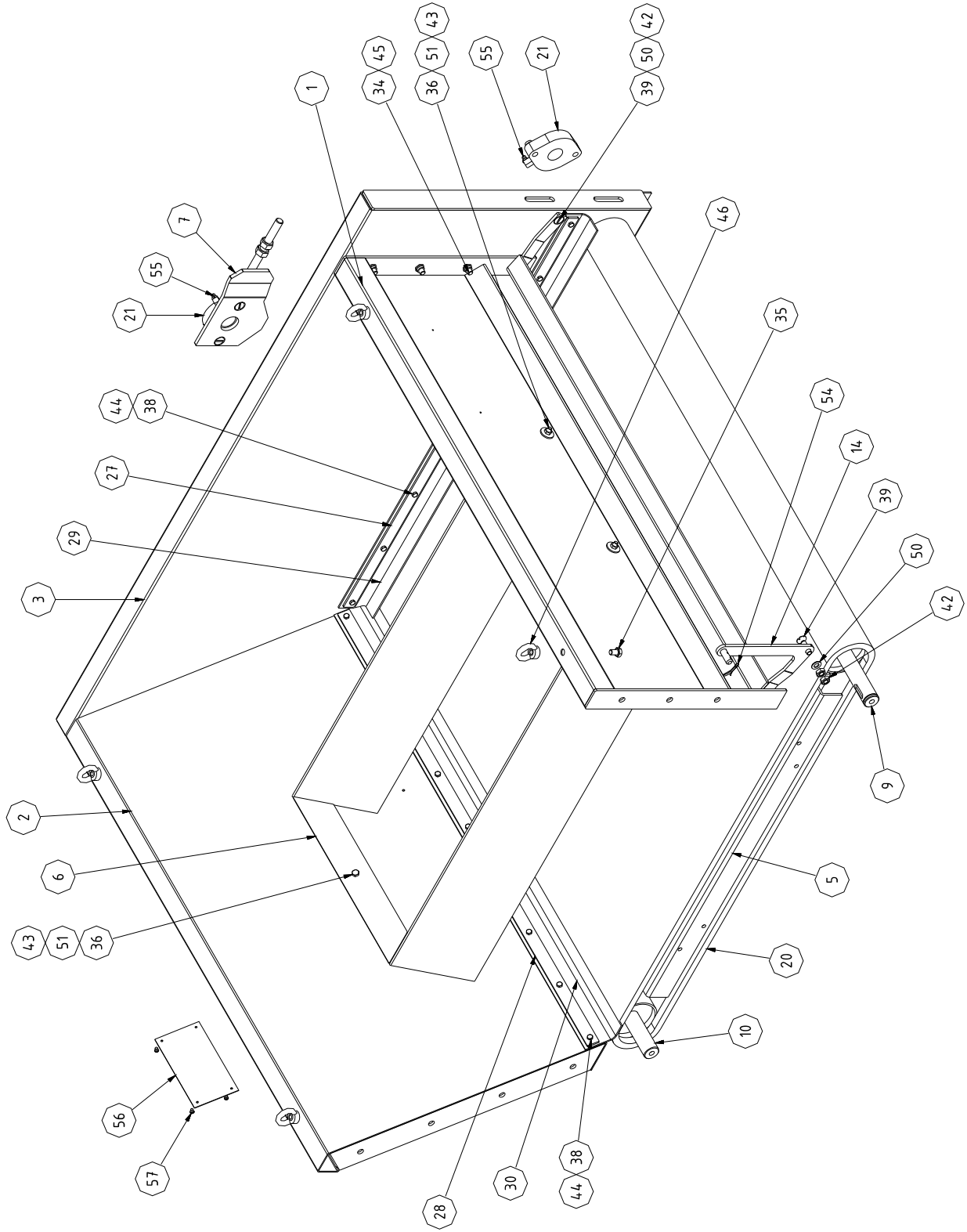
Pos.	Partnumber	Description	Remarks	Qua
1	RGS16699	Frame		1
2	RGS16707	Steering handle		1
3	RGS16703	Wheel shaft		1
4	RGS16702	Shaft		1
5	RGS16704	Shaft		1
6	RGS16725	Front wheel shaft		1
7	RGS11089	Cover steering handle		1
8	RGS16708	Gear lever		1
9	RGS16709	Steering handle lever		1
10	RGS11088	Gear lever		3
11	RGS11090	Cable cover		2
12	RGS11123	Bearing plate		1
13	RGS16730	Wheelhub with bolt hole		2
14	RGS16729	Wheelhub for bearing		4
15	RGS16746	Chain wheel		1
16	RGS15452	Chain wheel		1
17	RGS16705	Sprocket with pully		1
18	RGS16698	Chain guide		1
19	RGS11110	Plate		1
20	RGS16740	Pully		2
21	RGS16741	Pully		1
22	RGS16739	Pully		1
23	RGS16742	Chain wheel Z 15		1
24	RGS10813	Chain wheel Z 15		1
25	RGS16706	Chain tensioner		1
26	RGS16717	Brake angle complete		1
27	RGS11107	Spring mounting plate		1
28	RGS16715	Belt tensioner		1
29	RGS16726	Belt tensioner		2
30	RGS16745	Guide plate		1
31	RGS16824	Clamp		3
32	RGS16716	Belt cover		1
33	RGS11098	Brake cover		1
34	RGS16728	Belt guide		1
35	RGS16833	Cover for handle		1
36	RGS16848	Cable ahead complete		2
37	RGG16849	Cable reverse complete		1
38	RGS16850	Cable brake complete		1
39	RGS16834	Belt for brake	B17x725	1
40	RGS10820	Belt for reverse	Kevlar 5/8"x87"	1
41	RGS10817	Belt for forwards	Kevlar 5/8"x68"	2
42	RGS11126	Adjusting bolt		8
43	RGS11125	Gas cable complete		1
44	RGS10499	Clamp		1
45	RGS10498	Clamp		2
46	RGS11019	Spring		2
47	RGS10608	Spring		1
48	RGS10823	Chain complete with connector	1/2"x5/16"	1
49	672.290.375	Engine B&S 6.5HP with reducer		1
50	RGS10594	Bearing	BFLCTE25	7
51	870.025.120	Cir clip Ø25x1.2		32
52	884.080.200	Key 8x7x20		2
53	884.080.320	Key 8x7x32		6

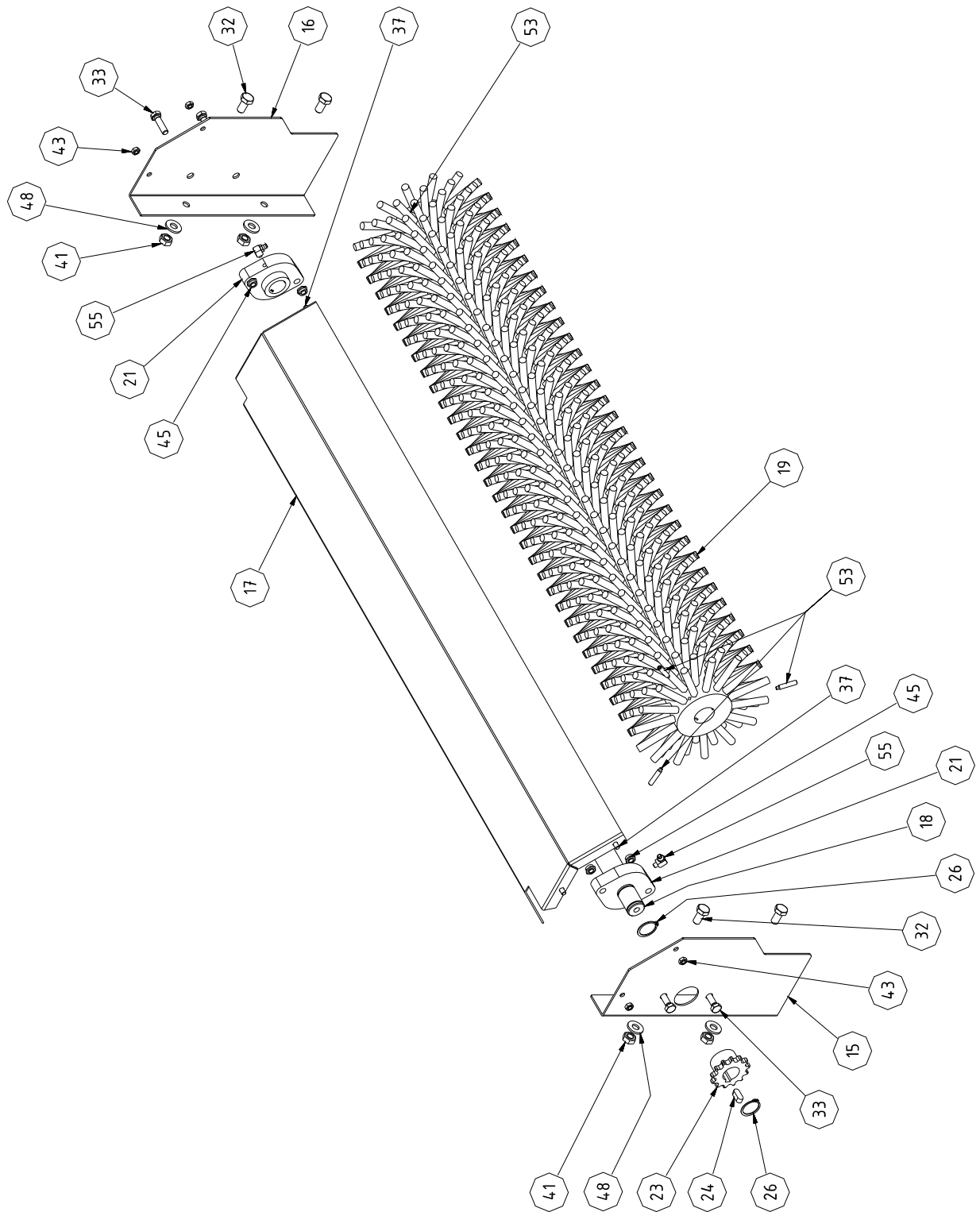
Redexim RINK SP950 – Main frame

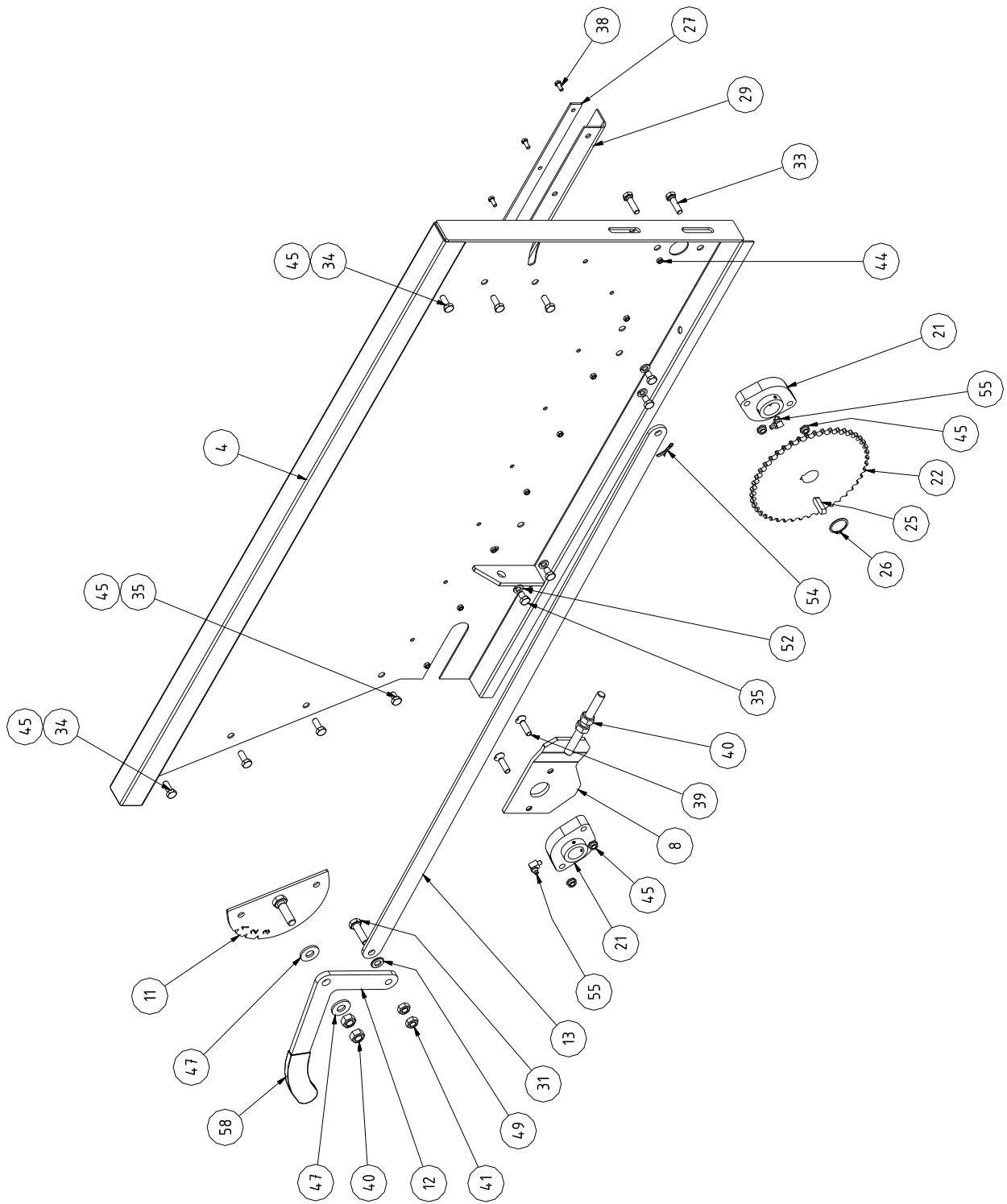
Code 1344

Pos.	Partnumber	Description	Remarks	Qua
54	RGS16750	Key 4.7x5x35		1
55	4814590	Bearing 62012RS		1
56	RGS11124	Sheave		3
57	RGS10818	Wheel		6
58	882.030.400	Cotter pin 3x40		8
59	880.060.100	Grease nipple M6x180 degree		7
60	880.080.100	Grease nipple M8x180 degree		3
61	880.080.102	Grease nipple M8x90 degree		1
62	RGS10807	Marker		2
63	RGS10219	Pop nail		2
64	RGS10259	Handle cover		3
65	804.050.120	Bolt M5x12		6
66	804.060.100	Bolt M6x10		6
67	804.060.160	Bolt M6x16		1
68	804.060.350	Bolt M6x35		4
69	804.080.120	Bolt M8x12		2
70	804.080.200	Bolt M8x20		26
71	802.080.300	Bolt M8x30		19
72	802.080.400	Bolt M8x40		9
73	804.100.250	Bolt M10x25		1
74	804.120.300	Bolt M12x30		1
75	802.120.800	Bolt M12x80		1
76	802.121.000	Bolt M12x100		1
77	802.100.400	Bolt M10x40		2
78	802.121.200	Bolt M12x120		1
79	816.060.350	Conic bolt M6x35		3
80	816.120.400	Conic bolt M12x40		1
81	820.050.250	Mushroom head bolt M5x25		4
82	RGS10175	Threaded rod M8x12		2
83	826.050.050	Nut M5		4
84	826.060.060	Nut M6		15
85	826.080.080	Nut M8		34
86	826.120.120	Nut M12		3
87	830.080.080	Self lock nut M8		29
88	830.120.120	Self lock nut M12		2
89	RGS10639	Washer M5 3xD		8
90	864.060.020	Washer M6 3xD		3
91	864.080.031	Washer M6 3xD		6
92	864.080.030	Washer M8		5
93	864.120.030	Washer M12		13
94	866.080.020	Spring washer M8		24
95	866.100.020	Spring washer M10		2
96	RGS10411	Bushing		8
97	RGS10410	Bushing		2









Redexim RINK SP950 – Hopper

Code 1344

Pos.	Partnumber	Description	Remarks	Qua
1	RGS16677	Rear wall		1
2	RGS16678	Front wall		1
3	RGS16679	Right side wall		1
4	RGS16682	Left side wall		1
5	RGS16684	Floor		1
6	RGS16733	Wedge		1
7	RGS16680	Belt tensioner right		1
8	RGS16681	Belt tensioner left		1
9	RGS16690	Rear roller		1
10	RGS16691	Front roller		1
11	RGS16694	Distribution plate		1
12	RGS11067	Handle		1
13	RGS11066	Rod		1
14	RGS16693	Gate		1
15	RGS11049	Brush mounting plate left		1
16	RGS11053	Brush mounting plate right		1
17	RGS11077	Brush cover plate		1
18	RGS16685	Brush shaft		1
19	RGS10174	Brush set complete	10 elements	1
20	RGS10806	Belt		1
21	RGS10594	Bearing GLCTE25		6
22	RGS16686	Chain sprocket 1/2" Z45		1
23	RGS15452	Chain sprocket 1/2" Z13		1
24	884.080.200	Key 8x7x20		1
25	884.080.320	Key 8x7x32		1
26	870.025.120	Circlip Ø25x1.2		3
27	RGS11059	Rubber mount strip side		2
28	RGS11060	Rubber mount strip front		1
29	RGS11062	Rubber side		2
30	RGS11061	Rubber front		1
31	804.100.350	Bolt M10x35		1
32	804.100.200	Bolt M10x20		4
33	804.080.300	Bolt M8x30		8
34	804.080.200	Bolt M8x20		12
35	804.080.120	Bolt M8x12		14
36	804.060.160	Bolt M6x16		3
37	804.060.100	Bolt M6x10		4
38	804.050.120	Bolt M5x12		25
39	816.080.300	Conic bolt M8x30		6
40	826.120.120	Nut M12		6
41	826.100.100	Nut M10		6
42	826.080.080	Nut M8		4
43	826.060.060	Nut M6		7
44	826.050.050	Nut M5		25
45	830.080.080	Self lock nut M8		26
46	822.080.360	Eye nut M8		4
47	866.120.020	Spring washer M12		2
48	866.100.020	Spring washer M10		4
49	864.100.030	Washer M10		1
50	864.120.030	Washer M12		2

Redexim RINK SP950 – Hopper**Code 1344**

Pos.	Partnumber	Description	Remarks	Qua
51	RGS10194	Washer M6 3xD		3
52	866.080.020	Spring washer M8		8
53	RGS10358	Threaded rod M6x30		6
54	882.030.400	Cotter pin 3x40		2
55	880.060.102	Grease nipple M6 90degree		6
56	RGS10533	Machine label		1
57	RGS10220	Pop nail		4
58	RGS10267	Handle cover		1