

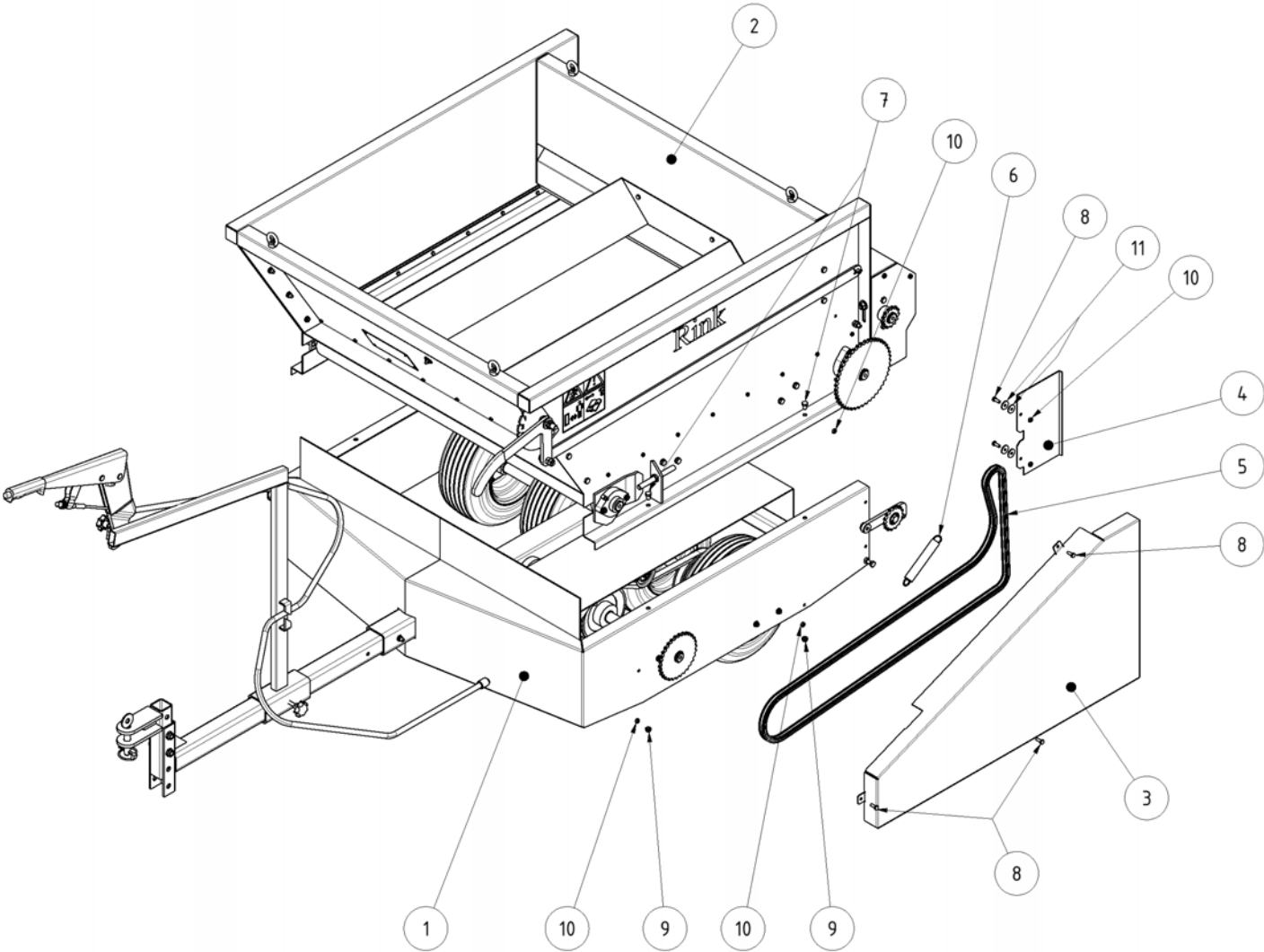
## **Parts Manual TB 950**

RINK Topdresser SP 950

To make sure you will get the right parts you need to give the next information with your parts order

- Serie number
- Year of production if possible
- Part number
- Discription

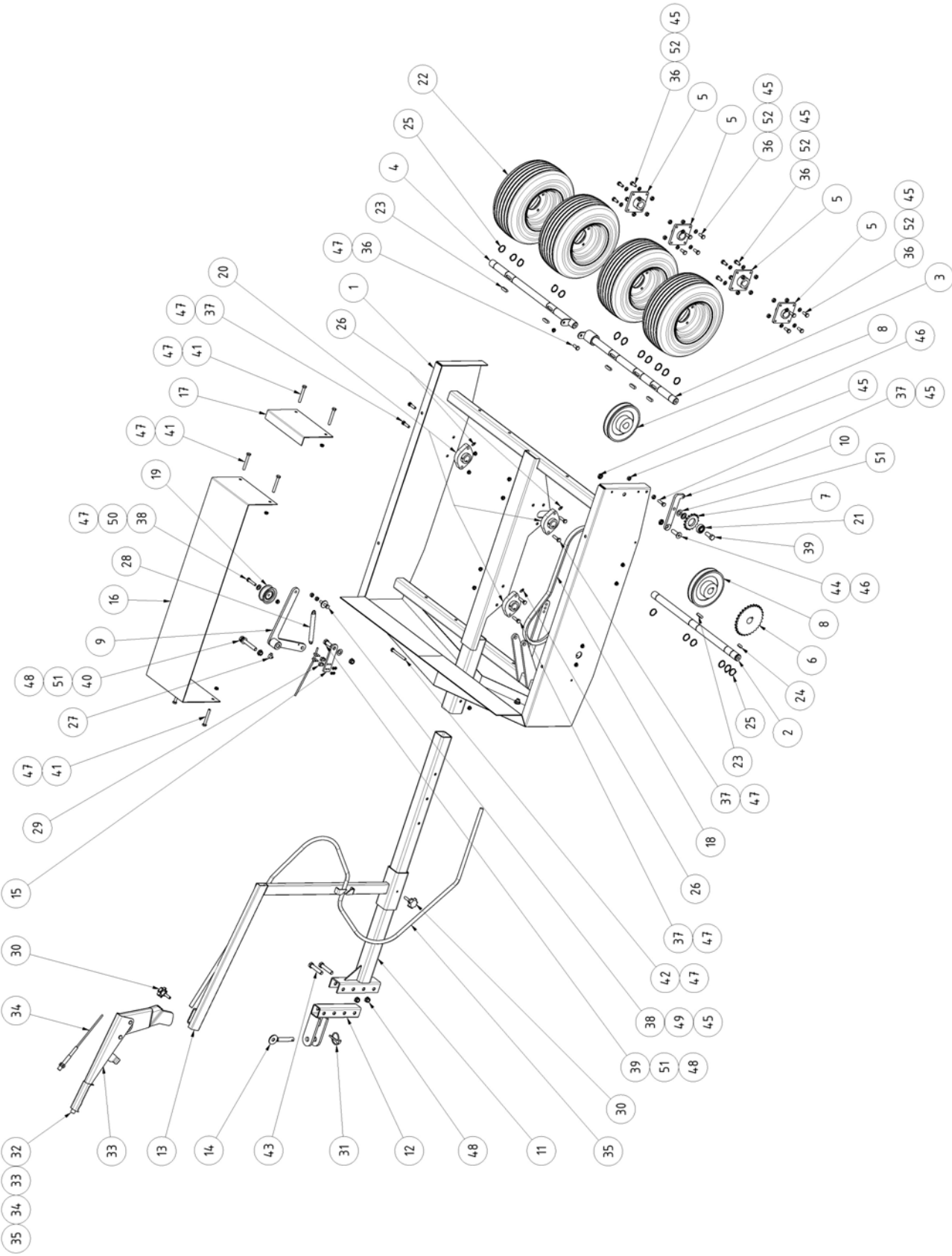
Parts drawing main frame TB 950



**Parts list main frame TB 950**

<b>Pos.</b>	<b>Item nr.</b>	<b>Discription</b>	<b>Remarks</b>	<b>Qua.</b>
1	16810	Main frame		1
2	16700	Hopper		1
3	11160	Cover		1
4	11081	Plate		1
5	10822	Chain		1
6	11019	Spring		1
7	804.080.120	Bolt m8x12		4
8	804.060.160	Bolt M6x16		5
9	10759	Nut M8		4
10	10493	Nut M6		5
11	10194	Washer		4

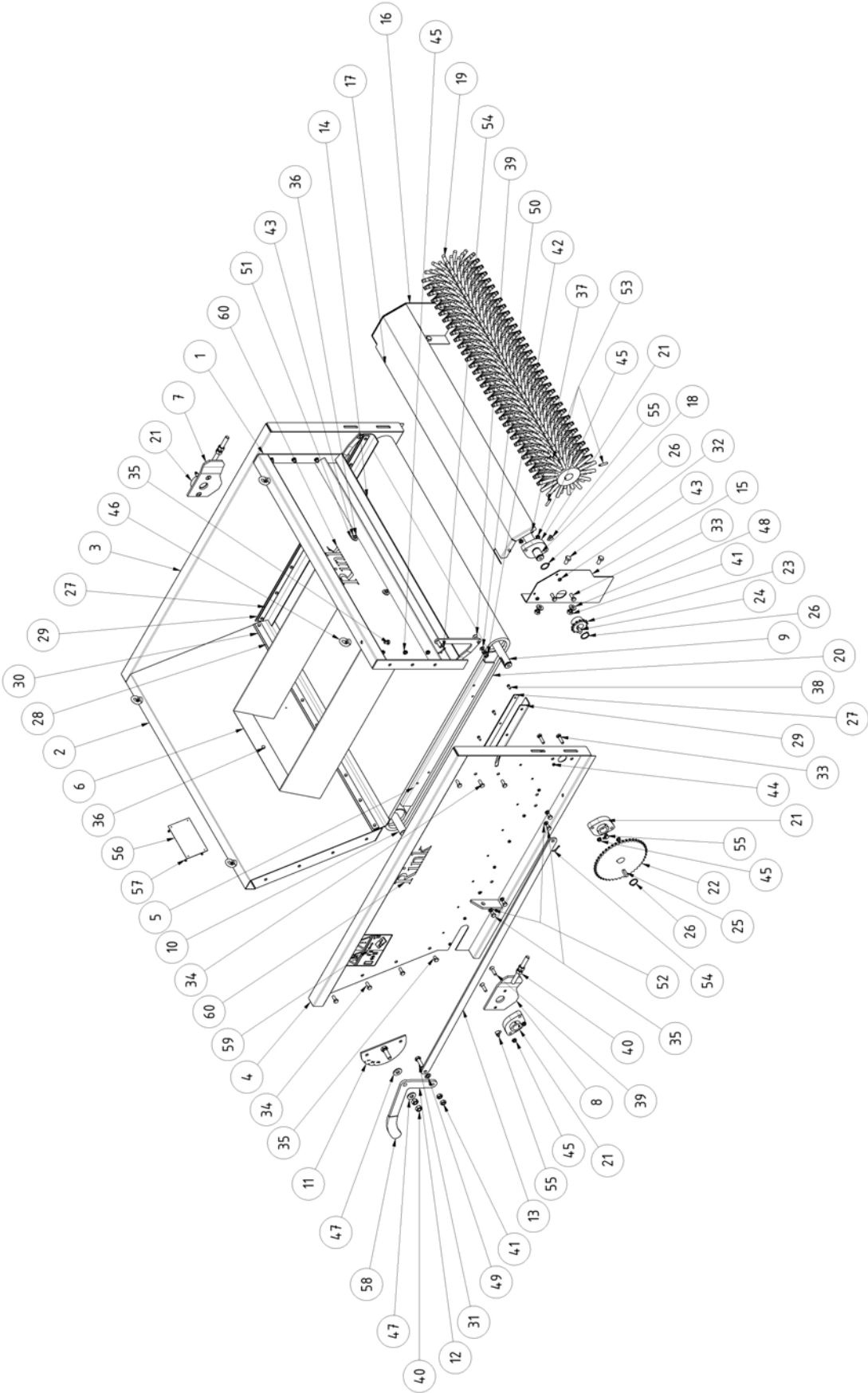
Parts list drive line TB 950



## Parts list drive line TB 950

Pos.	Item nr.	Description	Remarks	Qua.
1	16805	Frame complete		1
2	16808	Shaft		1
3	16813	Wheel shaft with bush		1
4	16814	Wheel shaft with flange		1
5	16730	Wheel hub with nut		4
6	16823	Chain wheel z=30		1
7	16742	Chain wheel z=15		1
8	16740	Pully 140 mm		2
9	16815	Belt tensioner complete		1
10	16706	Chain spanner arm		1
11	16819	Drawbar		1
12	16818	Drawbar hook		1
13	16822	Mounting frame handle		1
14	16673	Pin		1
15	11158	Bracket		1
16	11165	Cover		1
17	11167	Cover		1
18	10824	Belt B43 1/4		1
19	11124	Umlenkrolle		1
20	10594	Flanschlager 205		5
21	4814590	Bearing 6201 2RS		1
22	10818	Weel		4
23	884.080.320	Key 8x7x32		6
24	884.080.200	Key 8x7x20		1
25	870.025.120	Circlip 25x1,2		18
26	880.060.100	Grease nippel M6 x 1 x 180 degree		5
27	880.080.102	Grease nippel M8 x 90 degree		1
28	11019	Spring		1
29	10490	Clamb		2
30	836.080.560	Knurled knob M8		2
31	523.060.320	Linch pin		1
32	11007	Banner trade	exist out of 33,34,35	1
33		Will be supplied as 11007		1
34	11133	Inner cable		1
35	11134	Outer cable		1
36	804.080.200	Bolt M8x20		17
37	804.080.300	Bolt M8x30		11
38	804.080.400	Bolt M8x40		2
39	804.120.300	Bolt M12x30		2
40	802.120.800	Bolt M12x80		1
41	802.080.600	Bolt M8x60		6
42	802.080.750	Bolt M8x75		1
43	802.120.600	Bolt M12x60		2
44	10171	Bolt M12x40		1
45	830.080.080	Self locking nut M8		20
46	830.120.120	Self locking nut M12		2
47	826.080.080	Nut M8		19
48	826.120.120	Nut M12		4
49	864.080.024	Washer 8x24		1
50	864.080.024	Washer 8x24		1
51	864.080.024	Washer 8x24		4
52	866.080.020	Spring washer A8		16

Parts list spreader TB 950



**Parts list spreader TB 950**

Pos.	Item nr.	Description	Remarks	Qua.
1	16677	Rear wall		1
2	16678	Front wall		1
3	16679	Rigth side wall		1
4	16682	Left side wall		1
5	16684	Floor		1
6	16733	Wedge angle		1
7	16680	Belt tensioner right		1
8	16681	Belts tensioner left		1
9	16690	Rear roller		1
10	16691	Front roller		1
11	16694	Distribution plate		1
12	11067	Handle		1
13	11066	Rod		1
14	16693	Gate		1
15	11049	Brush mounting plate left		1
16	11053	Brush mounting plate right		1
17	11077	Brush cover plate		1
18	16685	Brush shaft		1
19	10174	Brush set complete	10 elements	1
20	10806	Belts		1
21	110250	Bearing GLCTE 25		6
22	16686	Chain sprocket	Z45 1/2"	1
23	15452	Chain sprocket	Z13 1/2"	1
24	884.080.200	Key	8x7x20	1
25	884.080.320	Key	8x7x32	1
26	870.025.120	Circlip	25x1.2	3
27	11059	Rubber mount strip side		2
28	11060	Rubber mount strip front		1
29	11062	Rubber side		2
30	11061	Rubber front		1
31	804.100.350	Bolt M10x35		1
32	804.100.200	Bolt M10x20		4
33	804.080.300	Bolt M8x30		8
34	804.080.200	Bolt M8x20		12
35	804.080.120	Bolt M8x12		14
36	804.060.160	Bolt M6x16		3
37	804.060.100	Bolt M6x10		4
38	804.050.120	Bolt M5x12		25
39	816.080.350	Conic bolt M8x35		6
40	826.120.120	Nut M12		6
41	826.100.100	Nut M10		6
42	826.080.080	Nut M8		4
43	826.060.060	Nut M6		7
44	826.050.050	Nut M5		25
45	830.080.080	Self lock nut M8		26
46	822.080.360	Eye nut M8		4
47	866.120.020	Spring washer M12		2
48	866.100.020	Spring washer M10		4
49	864.100.030	Washer M10		1
50	864.120.030	Washer M12		2
51	10194	Washer M6 3xd		3
52	866.080.020	Spring washer M8		8
53	10358	Tread rod	M6x30	6
54	882.030.400	Cotter pin 3x40		2
55	880.060.102	Grease nipple M9 90 degree		6
56	10533	Machine label		1
57	10220	Pop nale		4
58	10267	Handle cover		1
59	933.280.402	Safety label		2
60	933.260.402	Label Rink		3