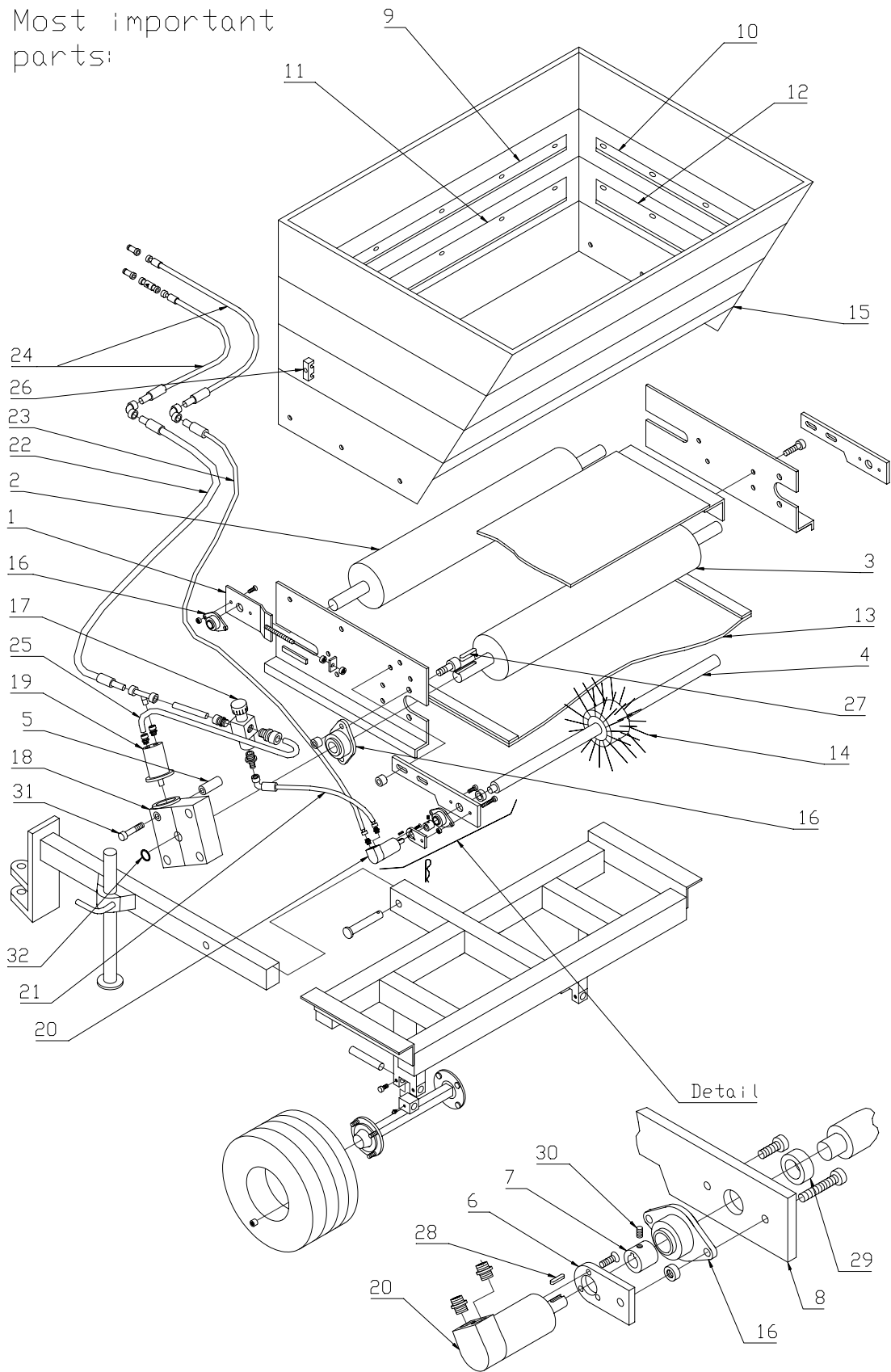
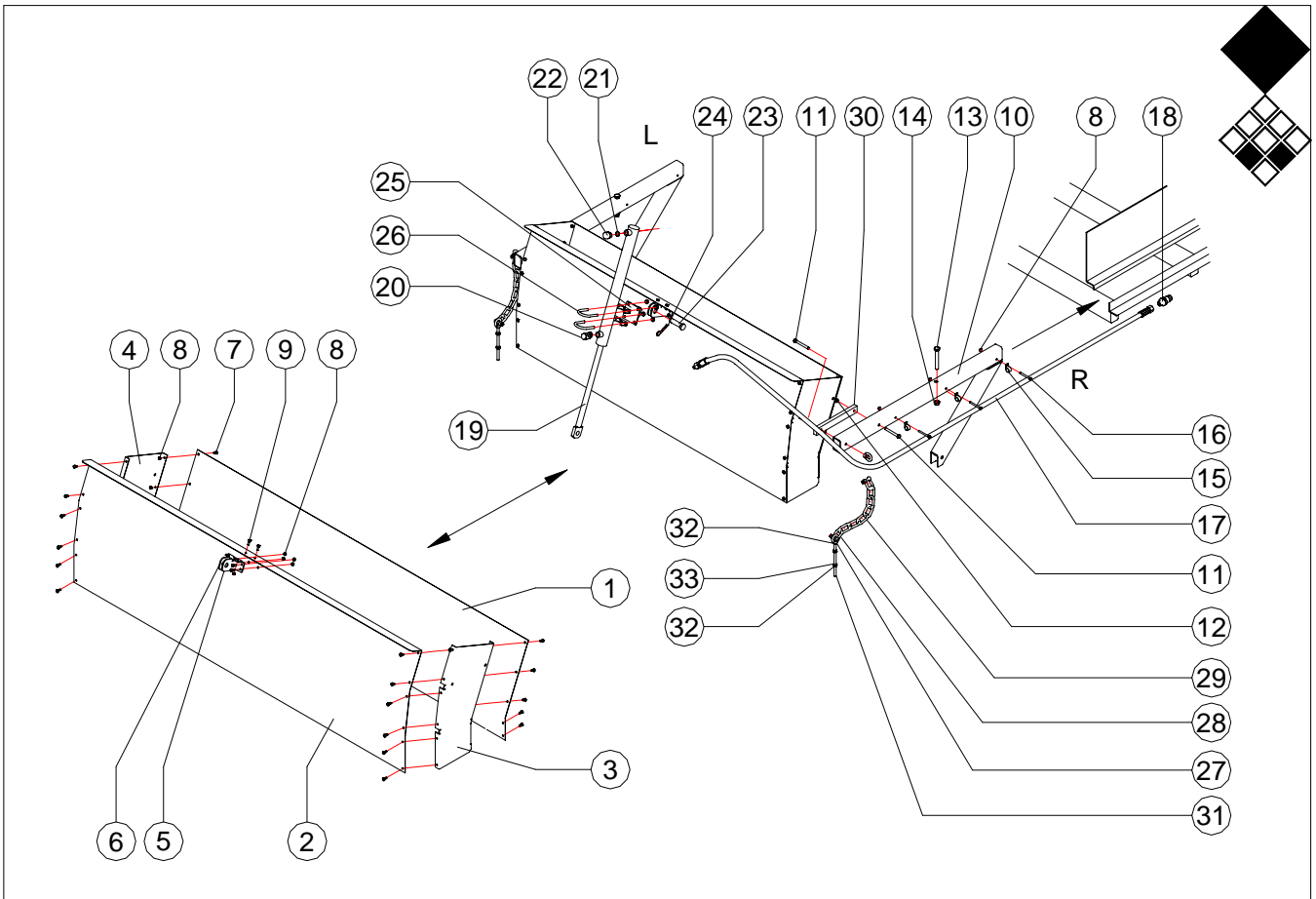
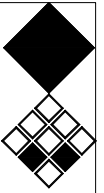


RINK 1005/1010  
Most important  
parts:

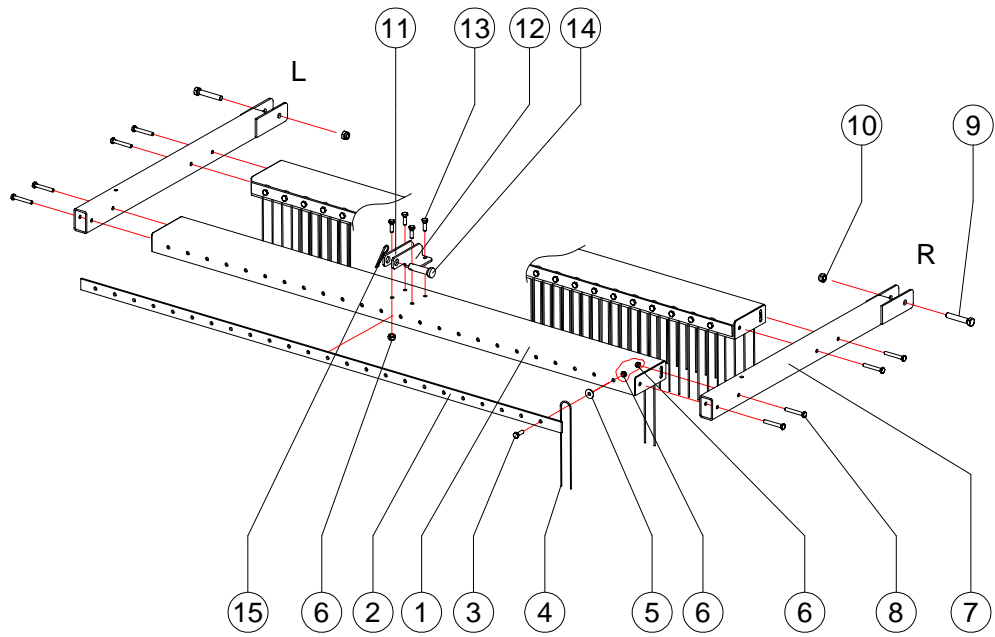
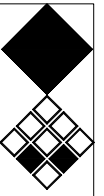


Part No.	Designation	Order No.	Remark
1	Clamping device	16112	
2	Transport roller front	16129	
3	Transport roller rear	16127	rubberized
4	Shaft for brush rolller	16159	
5	Torque support for conveyor belt drive system	16161	
6	Torque support for brush roller drive system	16157	
7	Connecting sleeve	16160	
8	Holder for brush roller	16115	
9	Clamp rail front	10015	30 x 4 x 1440 mm
10	Clamp rail aside	10021	30 x 4 x 540 mm
11	Rubber stripper front	10573	
12	Rubber stripper aside	10407	
13	Conveyor belt	10524	
14	Spreading roller unit	10162	
15	Hopper	10529	Aluminium
16	Flange bearing dia. 30 mm	11001	Lubrication instructions !
17	Regulator 12 l	10335	
18	Conveyor belt gear	10492	Oil change instructions !
19	Hydraulic motor for transport roller	10572	
20	Hydraulic motor for brush roller	10473	
21	Hydraulic hose NW 10x280	10673	
22	Hydraulic hose NW 10x400	10672	
23	Hydraulic hose NW 10x750	10671	
24	Hydraulic hose NW 10x2800	10667	
25	Hydraulic tube		Tube 12x1
26	Holder for hydraulic hose	10348	
27	Feather key 8x7x20	10100	
28	Feather key 6x6x25	10483	
29	Clamping Sleeve 8x30	10605	
30	Set screw M 8x6	10430	
31	Screw M 10x100	10600	
32	Circlip 30x1.5	11002	



**Redexim-Charterhouse Rink 1010 Infill kit pag 01 code 0720**

	PART #	DESCRIPTION	REMARKS	QUA
1	468.029.151	Front plate		1
2	468.029.147	Back plate		1
3	468.025.322	Side plate right		1
4	468.025.320	Side plate left		1
5	468.041.160	Bracket right		1
6	468.041.162	Bracket left		1
7	804.060.120	Bolt M6 x 12		22
8	830.060.060	Self lock nut M6		28
9	804.060.160	Bolt M6 x 16		6
10	462.408.800	Frame		2
11	802.080.550	Bolt M8 x 55		4
12	830.080.080	Self lock nut M8		8
13	802.120.900	Bolt M12 x 90		2
14	830.120.120	Self lock nut M12		2
15	547.130.300	Hose clamp		3
16	804.060.550	Bolt M6 x 55		3
17	541.174.500	Hydraulic hose G3/8" 4,5m		1
18	545.210.800	Quick connector male 1/2 "		1
19	534.422.500	Hydraulic cylinder, stroke 250mm		1
20	543.170.120	Nipple G3/8"		1
21	874.170.020	Cupper washer 3/8"		1
22	537.380.360	Breather 3/8"		1
23	521.160.510	Lock pin		1
24	523.030.750	R-clip		1
25	466.060.702	Bracket		1
26	547.080.700	U-bolt		2
27	822.080.360	Eye nut		4
28	846.080.241	Dee shackle		4
29	864.064.300	Chain, 6 shackles		2
30	464.152.200	Distance strip		2
31	852.081.700	Threaded rod M8		2
32	226.080.080	Nut M8		2
33	864.080.030	Washer M8		4
34				
35				
36				
37				
38				
39				
40				
41				
42				



**Redexim-Charterhouse Rink 1010 Infill kit pag 02 code 0720**

	PART #	DESCRIPTION	REMARKS	QUA
1	494.150.130	Beam rake section		2
2	464.059.140	Strip		4
3	804.080.250	Bolt M8 x 25		96
4	361.103.250	Tine		96
5	864.080.031	Large washer M8		96
6	830.080.080	Self lock nut M8		108
7	462.408.400	Arm		2
8	802.080.550	Bolt M8 x 55		8
9	804.120.700	Bolt M12 x 70		2
10	830.120.120	Self lock nut M12		2
11	468.051.232	Bracket left		1
12	468.051.230	Bracket right		1
13	804.080.250	Bolt M8 x 25		4
14	521.160.510	Lock pin		1
15	523.030.750	R-clip		1
16				
17				
18				
19				
20				
21				
22				
23				
24				
25				
26				
27				
28				
29				
30				
31				
32				
33				
34				
35				
36				
37				
38				
39				
40				
41				
42				