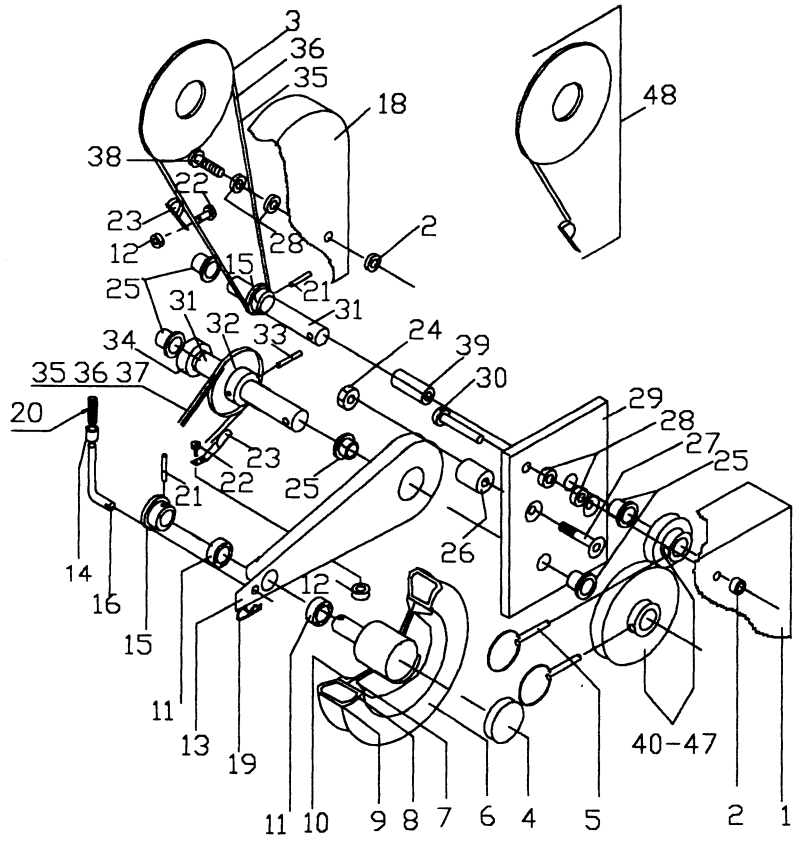


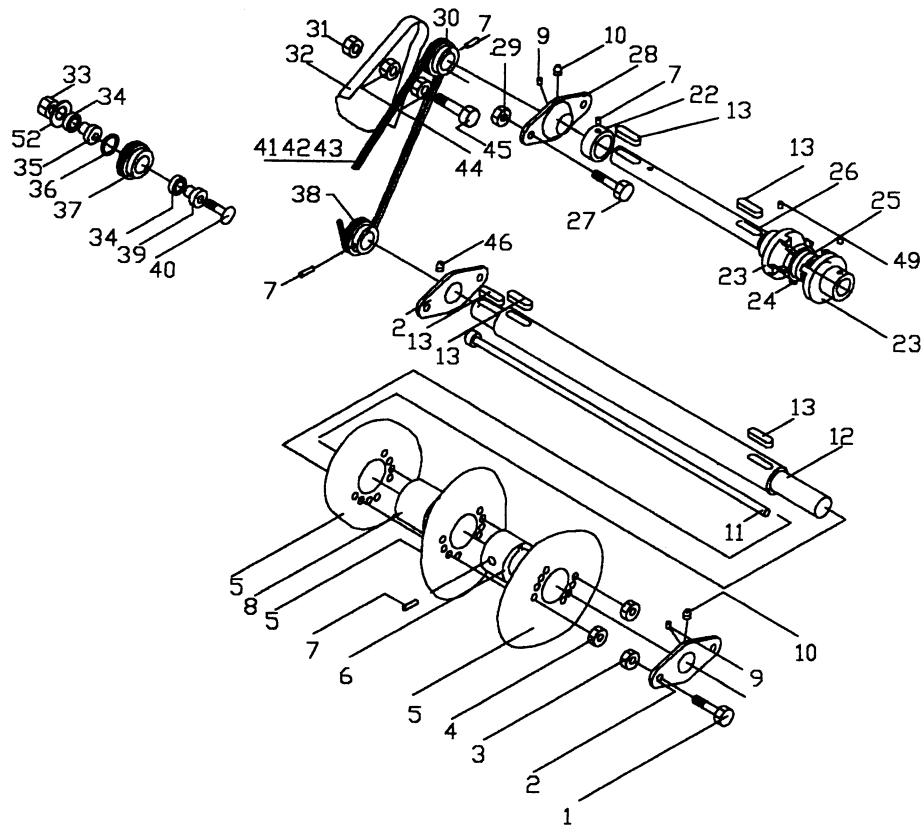
#	PART NUMBER	DESCRIPTION	REMARKS	QUA
1	110800	Seed hopper		1
2	110802	Seed guiding plate	Adjust gap A through #9	1
3	110004	Bearing plate		2
4	110806	Reinforcement beam		1
5	110008	Sprocket wheel		1
6	110010	Bolt		4
7	110013	Countersunk head bolt	From # 5192	4
8	110014	Roll pin		1
9	110016	Adjusting bolt	For adjusting #2	7
10	110018	Distance bush		4
11	110808	Roll feeder		1
12	110022	Selflocking nut		4
13	110024	Selflocking nut		4
14	110026	Locking nut seed pipe		31
15	110028	Lock screw for seed pipe		31
16	110030	Seed pipe straight		15
17	110032	Seed pipe bent		16
18	110034	Bolt for scraper/guid.plate	For adjusting #19	22
19	110810	Roll feeder scraper	Adjust gap B through #18	1
20	110038	Selflocking nut		22
21	110040	Screw		2
22	110042	Handle		1
23	110044	Selflocking nut		2
24	110812	Cover	Use also to calibrate	1
25	110048	Lock nut		7
26	110050	Washer		11



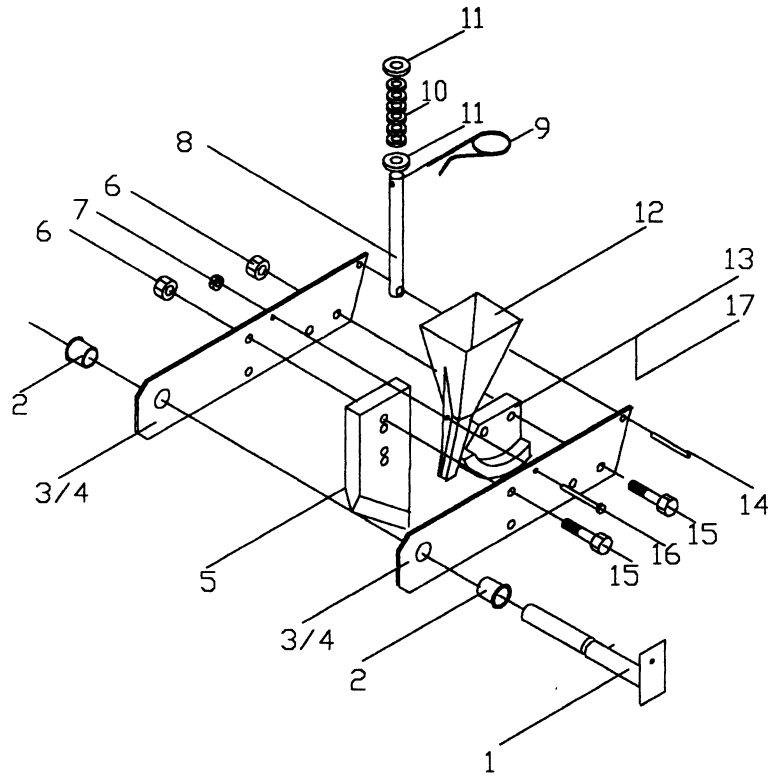
#	PART NUMBER	DESCRIPTION	REMARKS	QUA
1	110100	Safety cover		1
2	110102	Winged nut		3
3	110104	Chain seed hopper		1
4	110106	Plastic cap	Till # 01496	1
5	110108	Spring pin		2
6	110110	Wheel complete		1
7	110112	Divided rim	Till # 01496	1
8	110114	Tyre		1
9	110116	Inner tube		1
10	110118	Rim with axle		1
11	110120	Bearing		2
12	110038	Selflocking nut		4
13	110122	Chain cover support		1
14	110125	Distance bush		1
15	110126	Sprocket wheel		2
16	110129	Support pin		1
18	110132	Safety cover		1
19	110310	Spring pin		1
20	110134	Spring		1
21	110136	Roll pin		2
22	110034	Bolt		4
23	110138	Chain tensioner		2
24	110022	Selflocking nut		2
25	110140	Sleeve bearing bush		5
26	110142	Distance bush		2
27	110144	Countersunk head screw		2
28	110146	Selflocking nut		6
29	110148	Plate		1
30	110150	Bolt		2
31	110152	Shaft		2
32	110154	Sprocket wheel		1
33	110156	Roll pin		1
34	110158	Distance bush		1
35	110160	Chain link		2
36	110162	Chain reducing link		2
37	110164	Chain wheel drive		1
38	110166	Bolt		1

CONTINUED NEXT PAGE.

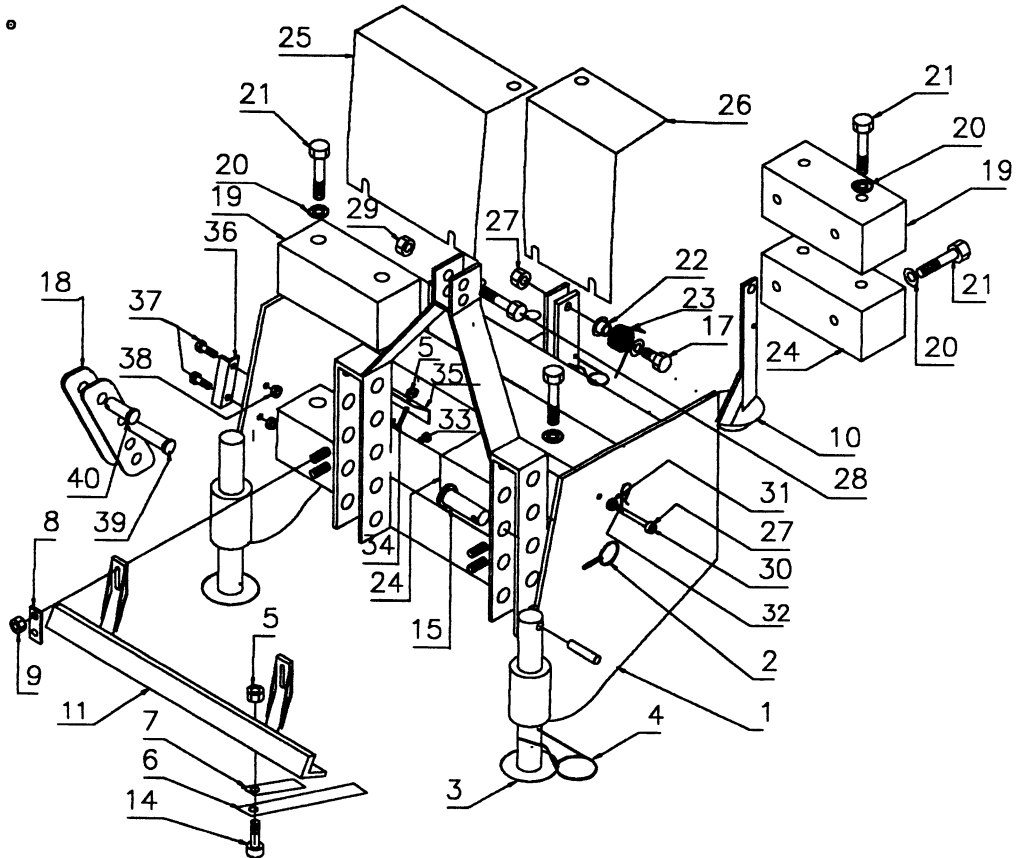
39	110167	Bush		1
40	110168	Gearwheel 1 z=35		1
41	110170	Gearwheel 1A z=70		1
42	110172	Gearwheel 2 z=45		1
43	110174	Gearwheel 2A z=60		1
44	110176	Gearwheel 3 z=50		1
45	110178	Gearwheel 3A z=55		1
46	110180	Gearwheel 4 z=40	Optional	1
47	110182	Gearwheel 4A z=65	Optional	1
48	110184	Low range sprocket kit	Optional	1



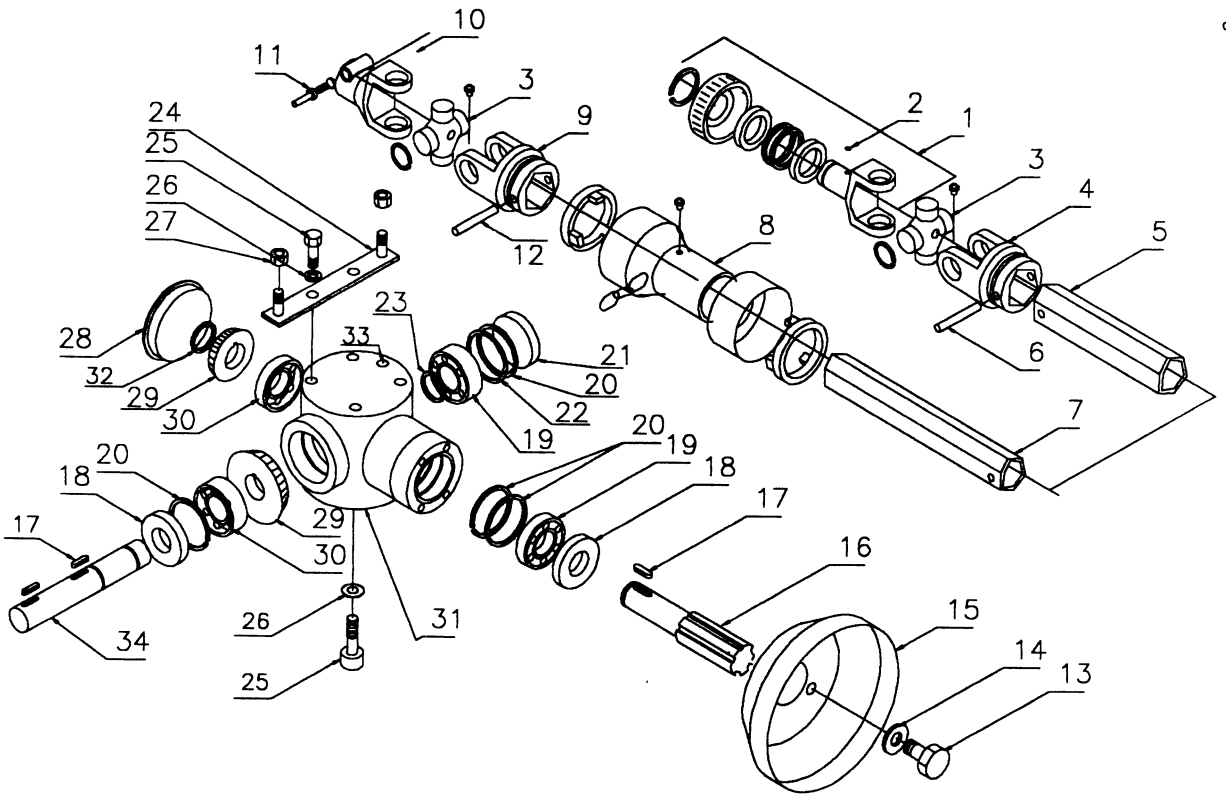
#	PART NUMBER	DESCRIPTION	REMARKS	QUA
1	110200	Bolt		4
2	110202	Bearing		2
3	110024	Selflocking nut		4
4	110204	Nut		4
5	110206	Cutting disk	To be locked with loctite	2
6	110208	Distance bush outer	Assemble in helical line	31
7	110210	Lock screw	With key way	2
8	110212	Distance bush		5
9	110214	Lock screw		28
10	110216	Grease nipple		4
11	110820	Screw axle		2
12	110822	Disk shaft		2
13	110222	Key		1
22	110238	Adjustable washer		6
23	110824	Clutch hub		1
24	110826	Elastic part coupling		2
25	110828	Bush		1
26	110830	Shaft		1
27	110248	Bolt		1
28	110250	Bearing		2
29	110022	Selflocking nut		1
30	110252	Sprocket wheel		2
31	110102	Domed nut		1
32	110254	Safety cover		2
33	110256	Selflocking nut		1
34	110120	Bearing		1
35	110258	Bush		2
36	110260	Cir clip		1
37	110262	Idler sprocket wheel		1
38	110264	Sprocket wheel		1
39	110266	Bush		1
40	110268	Bolt		1
41	110270	Chain		1
42	110272	Chain link		1
43	110274	Chain reducing link		1
44	110146	Selflocking nut		1
45	110150	Bolt		4
46	110276	Grease nipple		2
49	110294	Lock screw		1
52	110288	Washer		2
54	110293	Complete cutting disk 1204		1



#	PART NUMBER	DESCRIPTION	REMARKS	QUA
1	110840	Central shaft		1
2	110140	Sleeve bearing bush		62
3	110302	Unit plate for front units		32
4	110304	Unit plate for rear units		30
5	110306	Cutting knife	Two positions possible	31
6	110022	Selflocking nut		124
7	110308	Selflocking nut		31
8	110309	Pin		31
9	110310	Spring pin		31
10	110134	Spring		31
11	110312	Washer		31
12	110314	Funnel		62
13	110316	Shoe for rear units		31
14	110318	Roll pin		15
15	110248	Bolt		31
16	110320	Screw		124
17	110322	Shoe for front units		31
				16



#	PART NUMBER	DESCRIPTION	REMARKS	QUA
1	110850	Main frame 804		1
2	110402	Spring pin for 3-point		4
3	110404	Support pin		2
4	110402	Spring pin	Same as # 2	3
5	110022	Selflocking nut		31
6	110408	Sheet spring		31
7	110410	Sheet spring short		31
8	110854	Washer plate		2
9	110415	Selflocking nut		4
10	110416	Rear support leg		1
11	110858	Beam for sheet springs		1
14	110421	Hex bolt		31
15	110424	Three point linkage pin		2
17	110428	Bolt		1
18	110431	Tumble section		1
19	110432	Ballast block	optional, max = 3	1
20	110434	Washer		6
21	110436	Bolt		6
22	110438	Distance washer		1
23	110440	Spring		1
24	110442	Ballast weight standard		3
25	110866	Protection cover right		1
26	110868	Protection cover left		1
27	110448	Selflocking nut		1
28	110450	Top linkage bolt		1
29	110452	Top linkage nut		1
30	110454	Shaft for gearwheel storage		1
31	110456	Selflocking nut		1
32	110310	Spring pin		1
33	110458	Screw		4
34	110460	Bolt		2
35	110870	Protection plate		1
36	110464	Guide plate chain		1
37	110466	Bolt		2
38	110038	Selflocking nut		2
39	110468	Lock pin for tumble section		1
40	110470	Pin for top linkage		1



NOTE: STANDARD GEARBOX  
EG PTO AS PER # 00196

#	PART NUMBER	DESCRIPTION	REMARKS	QUA
1	141.022.147	Complete outer yoke		1
2	190.000.078	Ball		3
3	180.012.130	Complete cross yournall	with grease nipple and cir-cl	2
4	151.012.003	Outer tube yoke		1
5	152.120.323	Outer tube		1
6	190.000.012	Roll pin outer tube		1
7	153.120.216	Inner tube		1
8	1422202647230	Complete protection shield		1
9	151.012.002	Inner tube yoke		1
10	141.022.001	Push pin yoke		1
11	166.026.004	Push pin set		1
12	190.000.011	Roll pin inner tube		1
13	110284	Bolt		4
14	110286	Washer		4
15	110282	Safety cover gearbox		1
16	110290	Input shaft		1
17	110526	Key		2
18	110520	Oil seal		2
19	110516	Ball bearing		2
20	110508	Cir clip		4
21	110528	Side cover		1
22	110514	Set shims	Assemble correct one	1
23	110506	Cir clip		3
24	110280	Cover support		1
25	110130	Bolt		6
26	110224	Spring washer		6
27	110278	Winged nut		2
28	110504	Rear cover		1
29	110532	Set gearwheels	Always a set	1
30	110518	Tapered bearing		1
31	110500	Gearbox casting		1
32	110510	Cir clip		1
33	110530	Oil plug		2
34	110502	Output shaft		1
	110228	Compl. stand. gearbox		
	110226	Set oil seals		
	110232	Complete PTO		