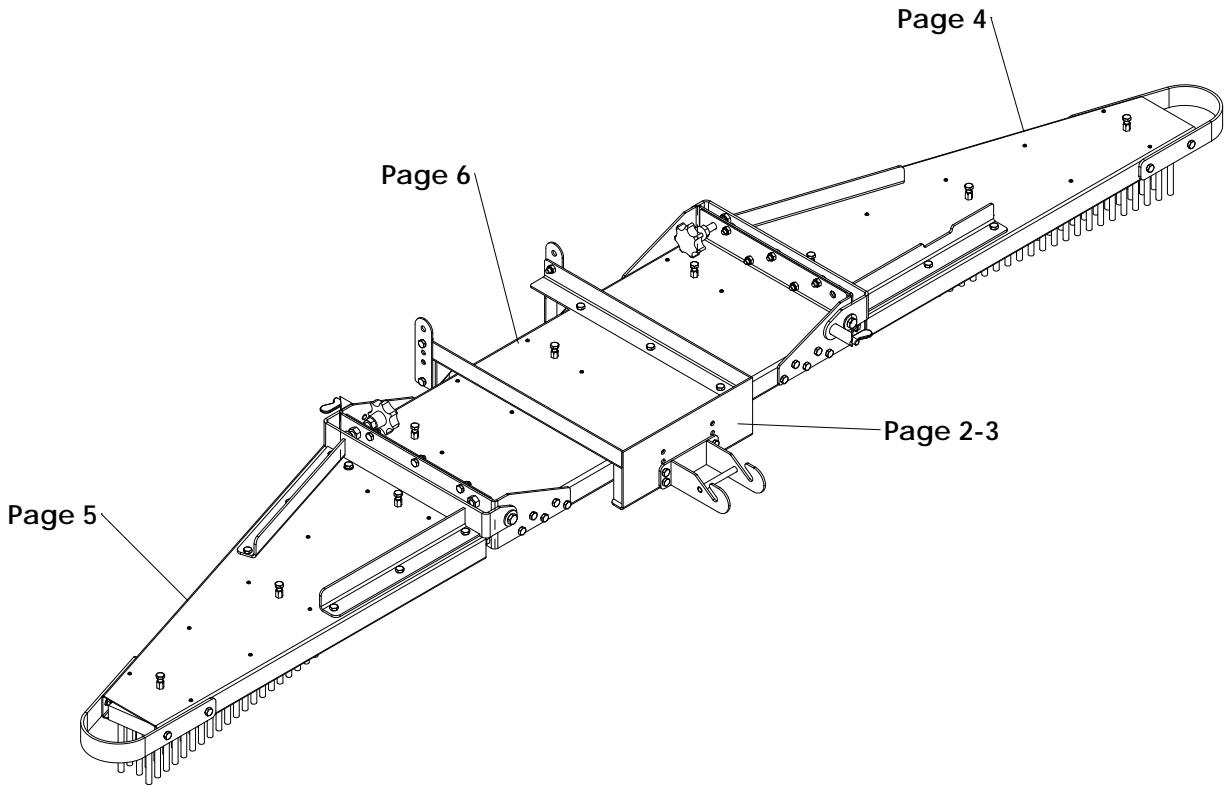
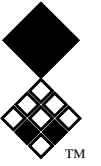
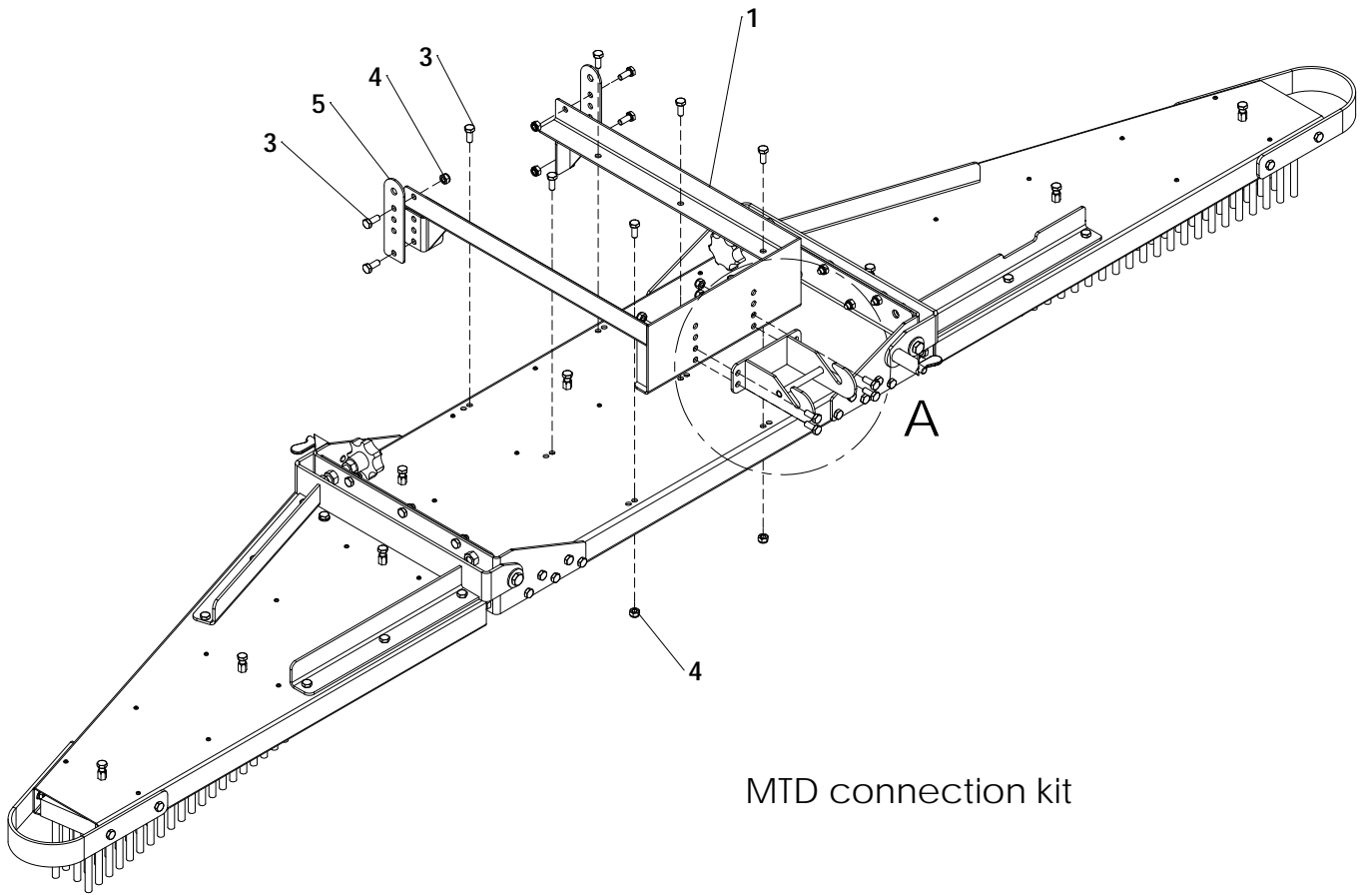
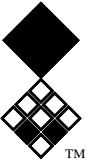


# Parts manual



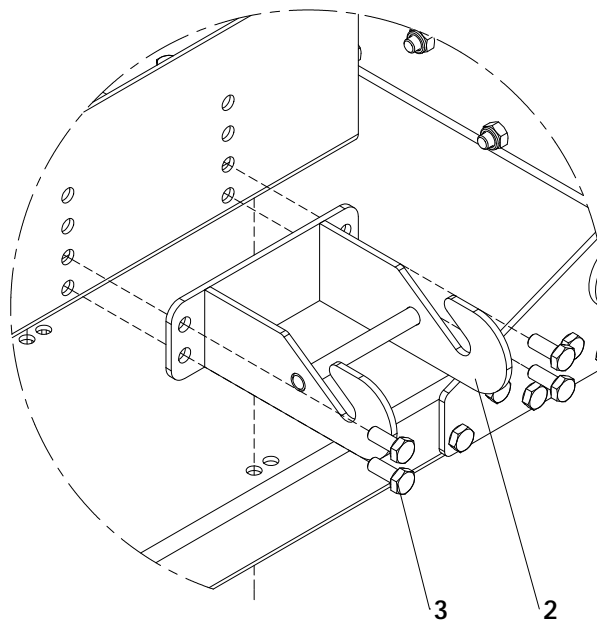




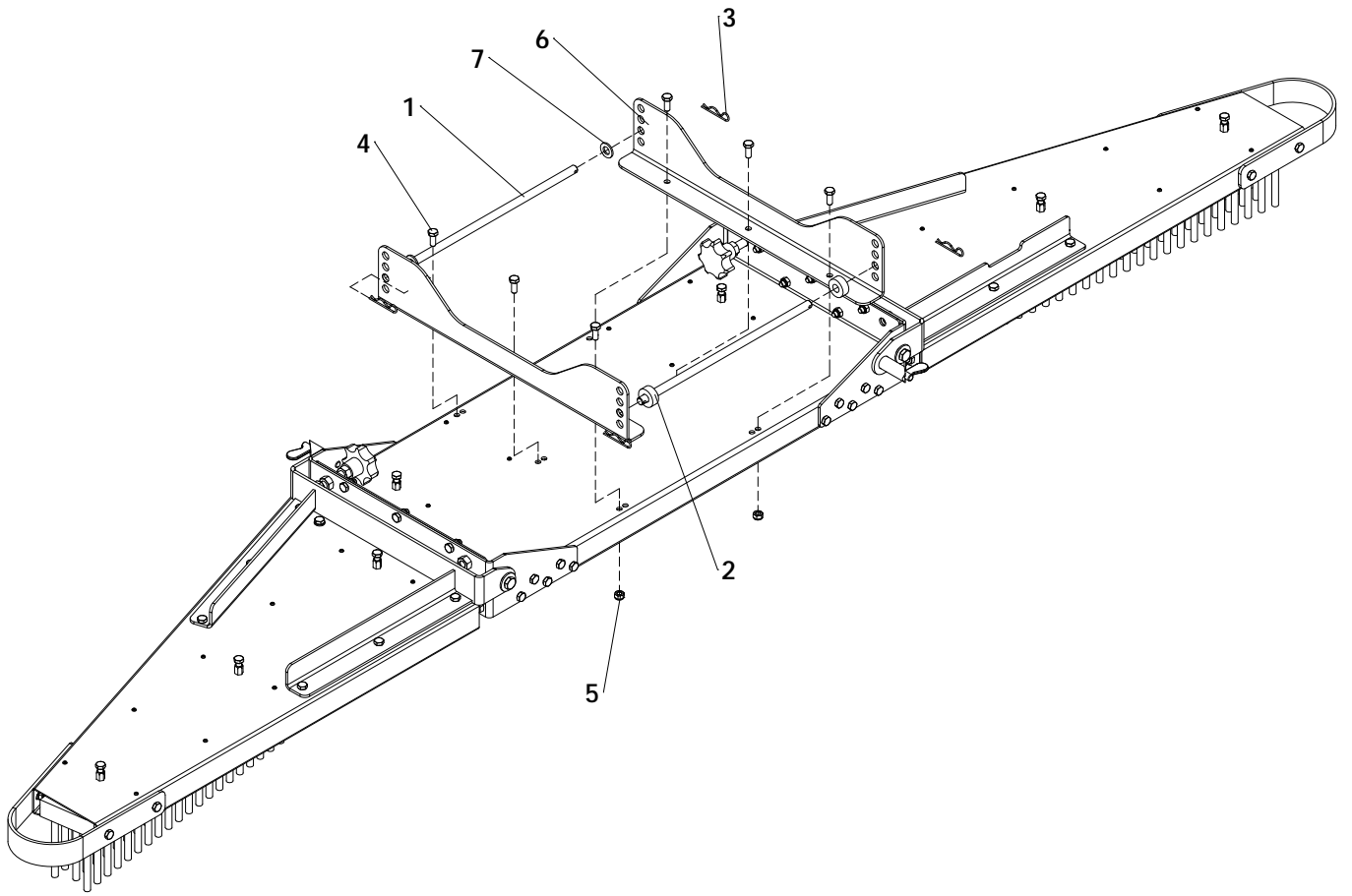
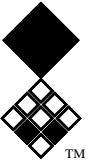


MTD connection kit

DETAIL A

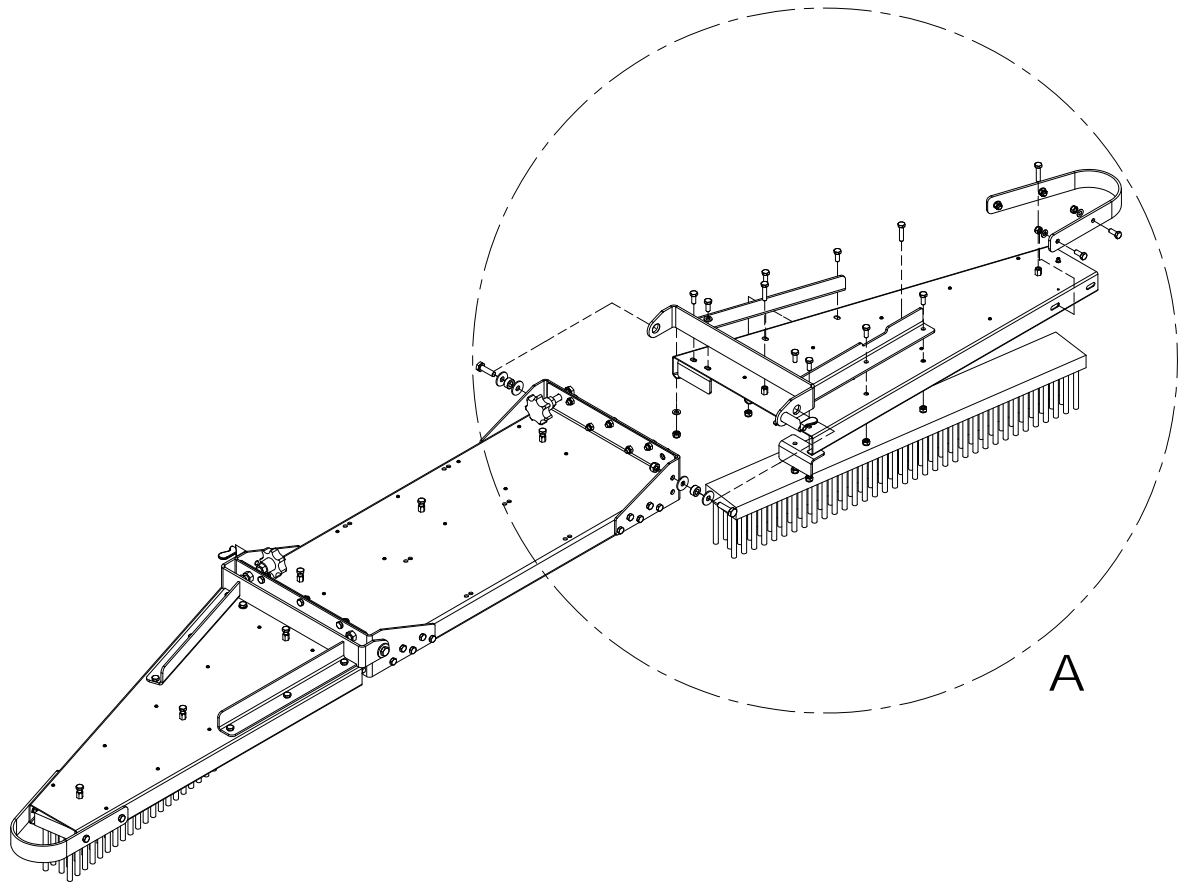
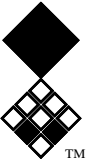


ITEM	PART NUMBER	DESCRIPTION	REMARKS	QUA
1	470.035.002	MTD main connection frame		1
2	470.041.400	Draw hook MTD		1
3	804.080.200	Bolt M8 x 20 - ISO 4017		14
4	830.080.080	Self Lock Nut M8 - ISO 10511		14
5	464.031.402	Lift strip MTD		2
	246.250.002	MTD connection kit		

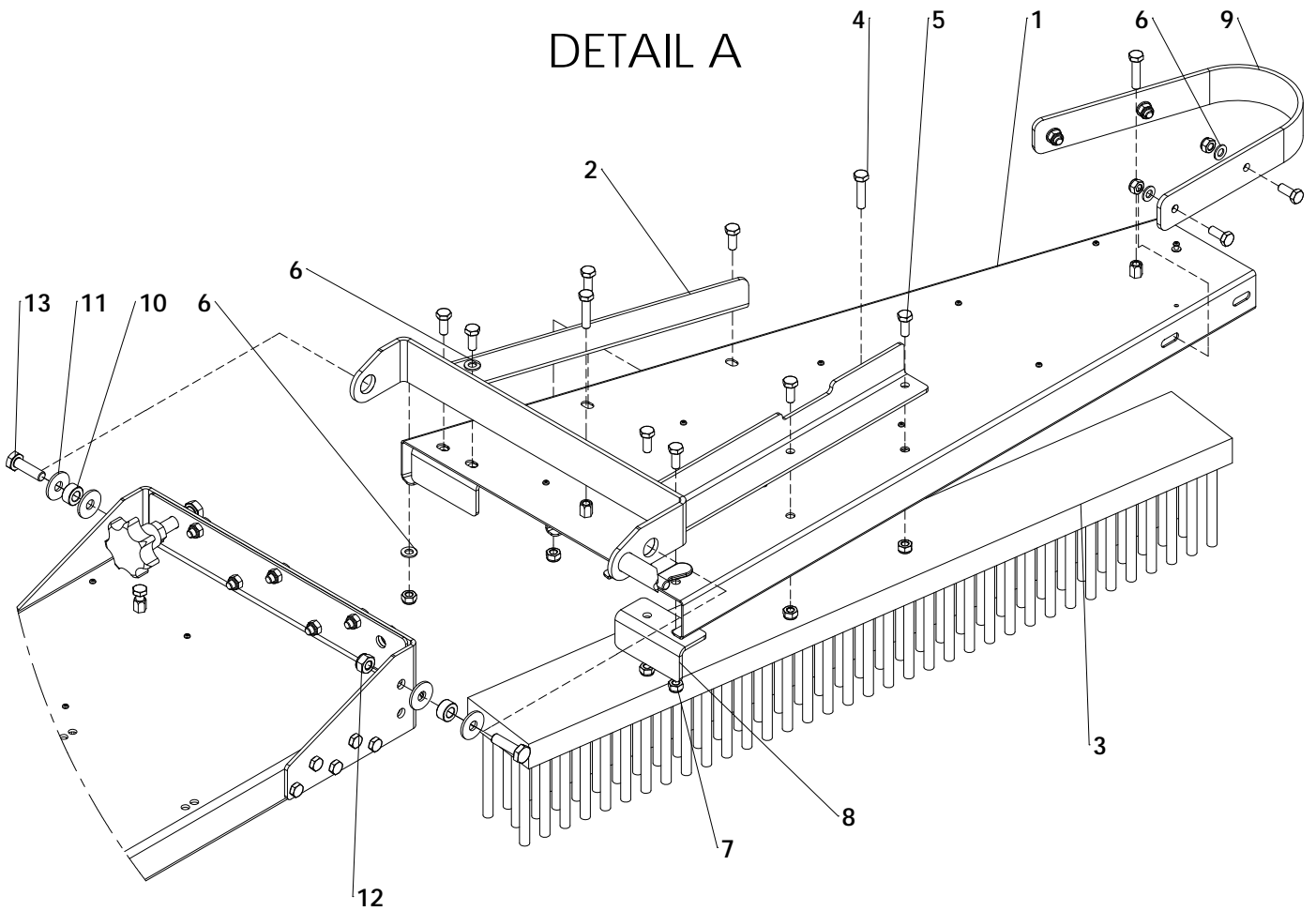


Countax C800H connection kit

ITEM	PART NUMBER	DESCRIPTION	REMARKS	QUA
1	414.123.550	Shaft Ø12 WL=345		2
2	406.130.120	Distance bush Ø30/Ø13 L=12		2
3	523.020.570	R-Clip D=2		4
4	804.080.200	Bolt M8 x 20 - ISO 4017		6
5	830.080.080	Self Lock Nut M8 - ISO 10511		6
6	468.045.200	Connection plate Countax C800H		2
7	864.120.030	Washer M12 - ISO 7089		2
	246.250.000	Countax C800H connection kit		

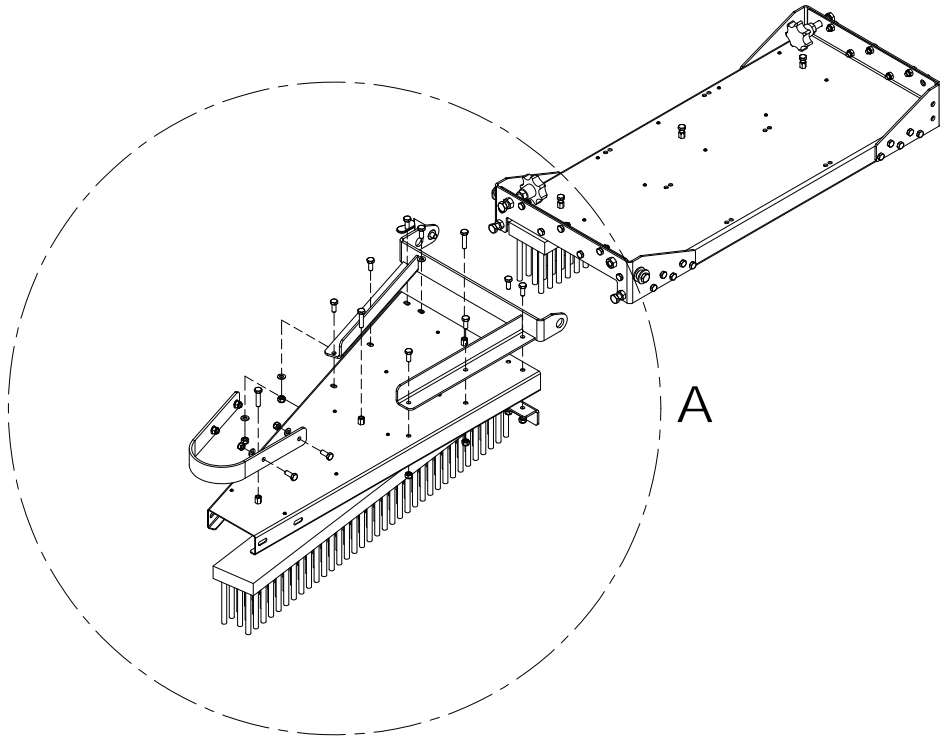
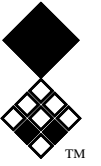


DETAIL A

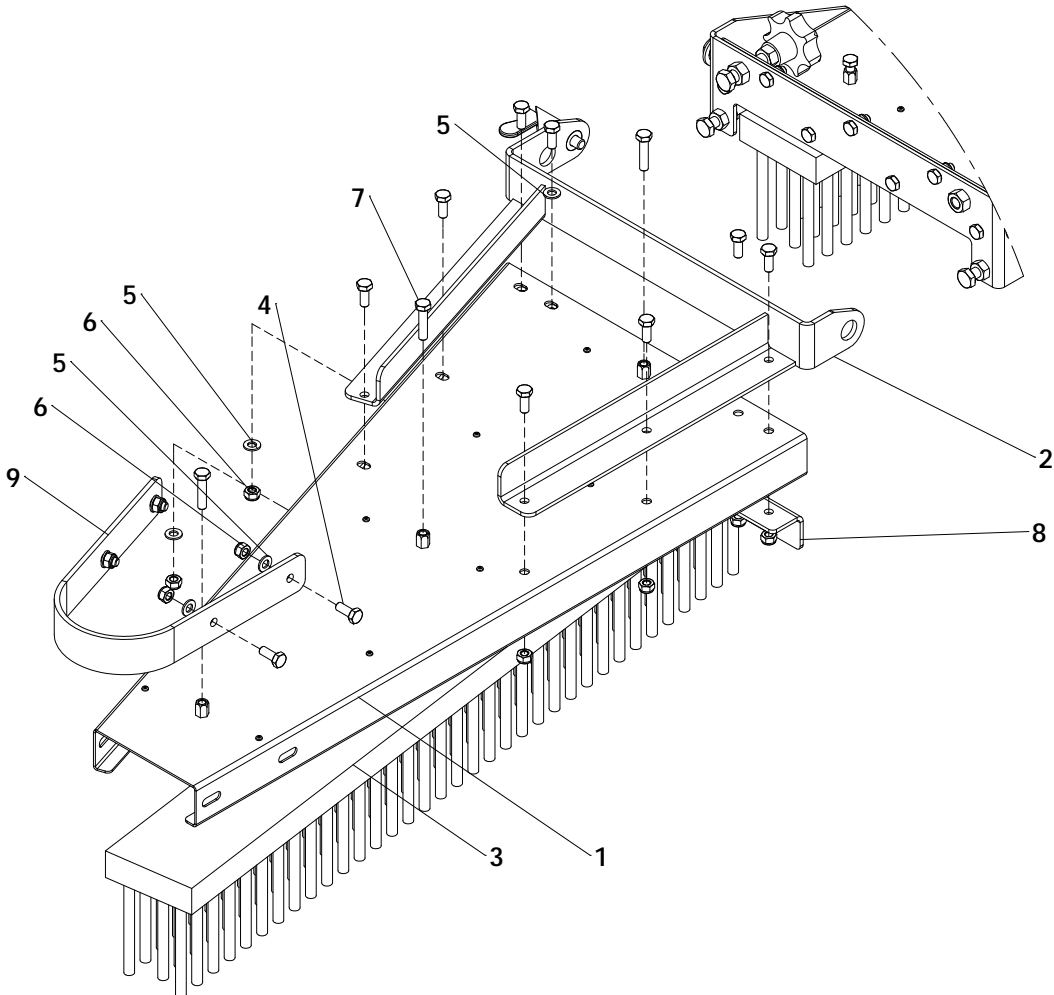




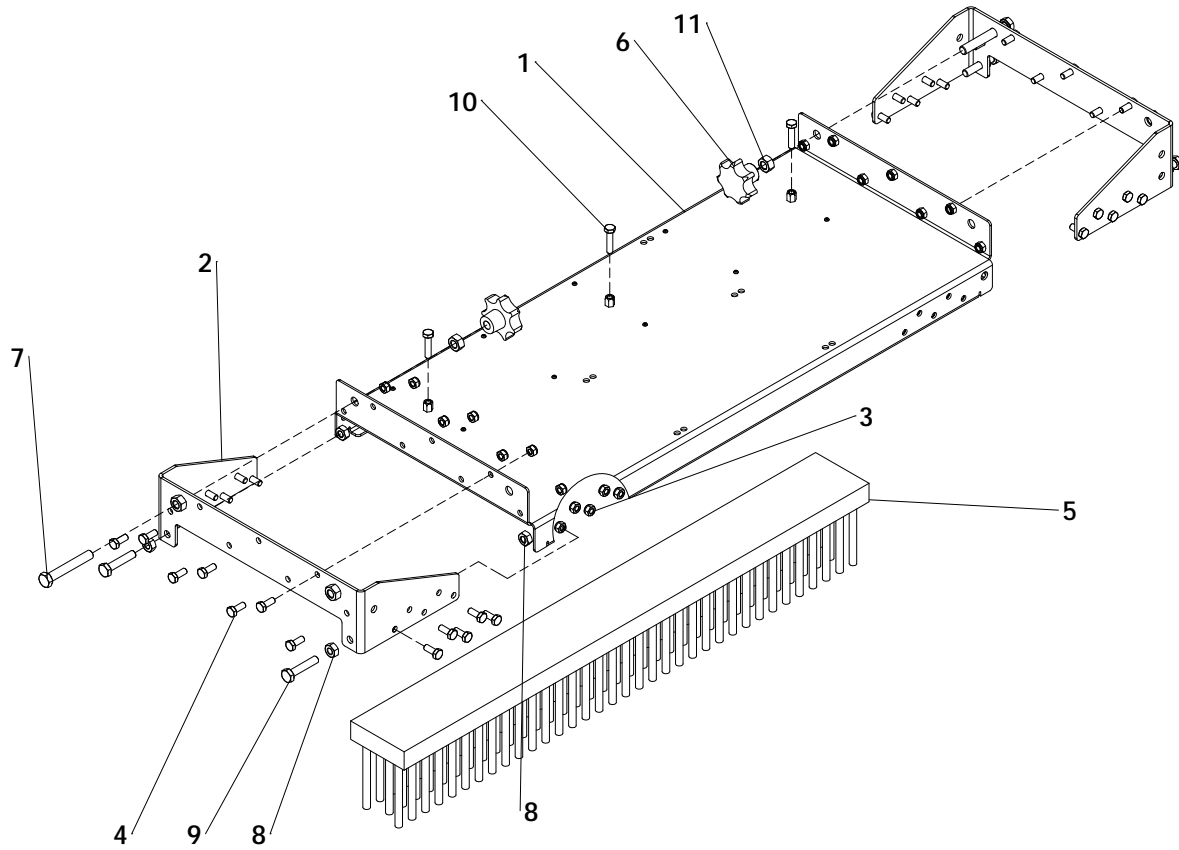
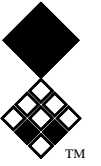
ITEM	PART NUMBER	DESCRIPTION	REMARKS	QUA
1	470.028.002	Left brush wing		1
2	470.054.602	Left wing hinge		1
3	486.100.870	Brush WL=105 L=870		1
4	804.080.350	Bolt M8 x 35 - ISO 4017		3
5	804.080.200	Bolt M8 x 20 - ISO 4017		12
6	864.080.030	Washer M8 - ISO 7089		7
7	830.080.080	Self Lock Nut M8 - ISO 10511		12
8	468.040.900	Block profile		2
9	464.052.370	Corner protector		1
10	402.110.100	Pivot bush Ø20/Ø10.5 L=10		4
11	864.100.031	Large washer M10 - DIN 9021		8
12	830.100.100	Self Lock Nut M10 - ISO 10511		4
13	804.100.350	Bolt M10 x 35 - ISO 4017		4



DETAIL A



ITEM	PART NUMBER	DESCRIPTION	REMARKS	QUA
1	470.028.000	Right brush wing		1
2	470.054.600	Right wing hinge		1
3	486.100.870	Brush WL=105 L=870		1
4	804.080.200	Bolt M8 x 20 - ISO 4017		12
5	864.080.030	Washer M8 - ISO 7089		7
6	830.080.080	Self Lock Nut M8 - ISO 10511		12
7	804.080.350	Bolt M8 x 35 - ISO 4017		3
8	468.040.900	Block profile		2
9	464.052.370	Corner protector		1



ITEM	PART NUMBER	DESCRIPTION	REMARKS	QUA
1	470.028.740	Center brush frame		1
2	470.043.820	Sides base brush		2
3	830.080.080	Self Lock Nut M8 - ISO 10511		34
4	804.080.200	Bolt M8 x 20 - ISO 4017		34
5	486.100.870	Brush WL=105 L=870		1
6	836.120.400	Knurled knob M12x25		2
7	804.120.800	Bolt M12 x 80 - ISO 4017		2
8	826.100.100	Nut M10 - DIN 934		8
9	804.100.500	Bolt M10 x 50 - ISO 4017		4
10	804.080.350	Bolt M8 x 35 - ISO 4017		3
11	826.120.120	Nut M12 - DIN 934		2