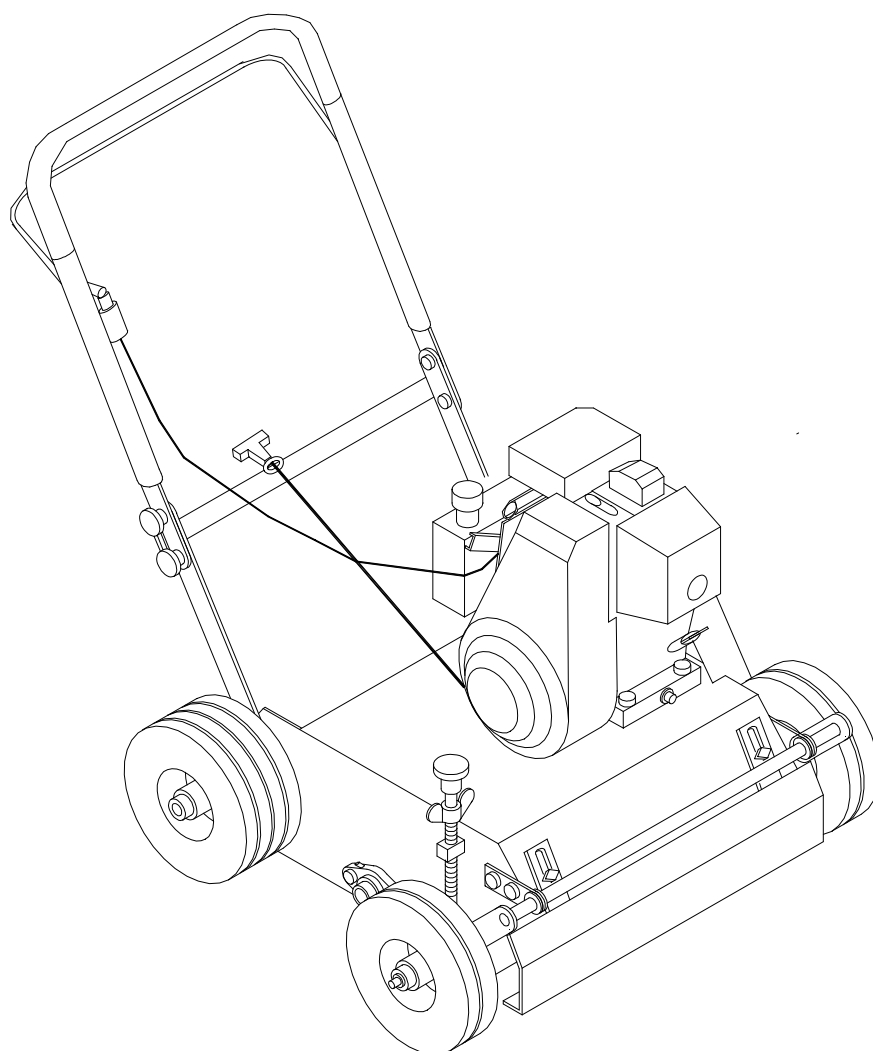
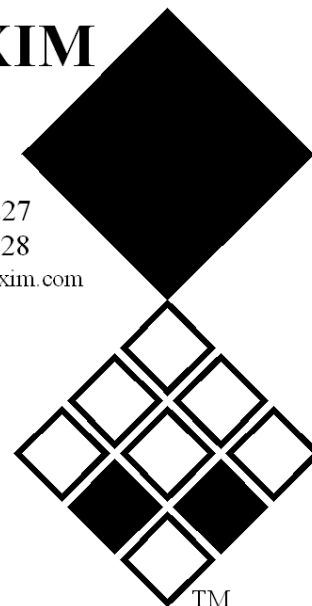


# **Operator and Parts manual RINK scarifier**

**Model S 510  
Serial number:**

## **REDEXIM**

Kwekerijweg 8  
3709 JA Zeist  
the Netherlands  
T: (31)30 6933227  
F: (31)30 6933228  
E: [verti-drain@redexim.com](mailto:verti-drain@redexim.com)  
[www.redexim.com](http://www.redexim.com)



### **NOTE:**

**IN ORDER TO ENSURE THE SAFE USE AND TO ACHIEVE THE BEST PERFORMANCE, IT IS ESSENTIAL THAT THIS OPERATORS MANUAL IS CAREFULLY READ BEFORE THE RINK SCARIFIER IS USED.**

## FOREWORD

Congratulations on the purchase of your RINK scarifier. To ensure the safe and lasting operations of this RINK scarifier you (and anyone using the machine) should read and understand this user's manual. A complete knowledge of the contents of the manual is necessary in order to ensure the safe use of this machine.

The RINK scarifier is intended exclusively for grass fields or areas on which grass can grow.

On the following page, we will begin with the safety instructions. Every user must be familiar with these instructions and must follow them carefully. Below you will find a registration card, which should be returned to us so that we are able to process any future claims.

In this manual, many instructions are given which are stated in a number sequence. The user must follow the instructions according to this sequence. If the **\* appears this refers to safety instructions**. If the @ is used, this refers to a tip and/ or note.

## GUARANTEE CONDITIONS

THIS RINK SCARIFIER IS DELIVERED TO THE CUSTOMER ACCOMPANIED BY A GUARANTEE AGAINST DEFECTS IN THE MATERIALS USED. THIS GUARANTEE APPLIES FOR A PERIOD OF 12 MONTHS AS OF THE DATE OF PURCHASE.

RINK SCARIFIER'S GUARANTEES ARE SUBJECTED TO THE "GENERAL CONDITIONS FOR SUPPLY OF PLANT AND MACHINERY FOR EXPORT, NUMBER 188", WHICH ARE PUBLISHED UNDER THE AUSPICES OF THE UNITED NATIONS ECONOMIC COMMISSION FOR EUROPE.

## REGISTRATION CARD

For your own record, copy the information from the registration card to the table hereunder

Serial number of machine	
Name of your distributor	
Date of purchase	
Any remarks	

## SAFETY INSTRUCTIONS

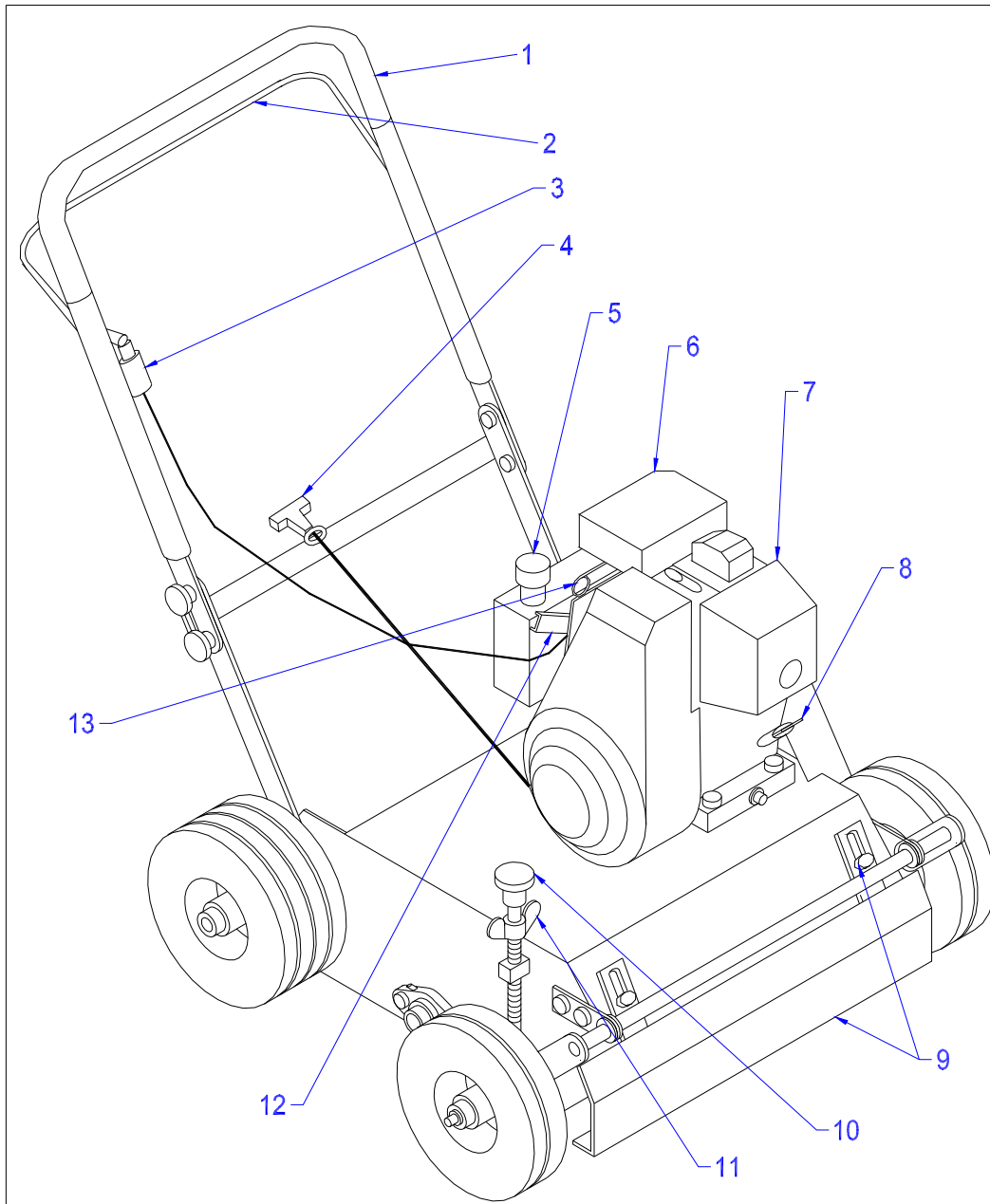
1. The RINK Scarifier is suited **exclusively to grass fields.**
2. Every RINK Scarifier **user must be fully informed** of the information contained in the user manual. Never let children or inexperienced people use the RINK Scarifier.
3. **Inspect the ground** where the RINK Scarifier is to be applied. Remove all loose obstacles, avoid uneven ground.
4. **Never disconnect the Dead Men's switch.** When the dead men's lever is released, the engine must shut down.
5. Ensure that other people are **standing at least 4 mtr. (14' ) away** from the RINK Scarifier.
6. **Use appropriate clothing.** Wear strong shoes with a steel inforced toe cap, long trousers, tie up long hair. Do not have any loose pieces of clothing.
7. **Never try to force the RINK Scarifier,** a situation which is visible in an unstable behavior of the RINK Scarifier.
8. **Check the RINK Scarifier once a week** to ensure there are no loose screws or nuts and bolts.
9. The RINK Scarifier may **never be used without protection covers** and safety stickers.
10. **Always switch off the engine,** before starting any maintenance, adjustment or repair. **Be aware of sharp knives** underneath that can hurt your . **Be aware of hot parts** as well, like the exhaust.
11. **Use only the original RINK Scarifier spare parts/ knives** in order to ensure the safe operation of the machine.
12. **Never use the RINK Scarifier** in the dark, in heavy rain, on frozen ground, stormy conditions or on slopes greater than 20 degrees.
13. Before operating the machine, also **read the instructions and the maintenance information of the Engine.**
14. **Be aware of the risks using gas** for the engine. Refilling must be done outside. Do not spill any gas during refilling.
15. **Clean the machine** after use.

## CONTENTS

<i>Par.</i>	<i>Description</i>	<i>Page</i>
	Foreword	2
	Guarantee conditions	2
	Registration card	2
	<b>Safety instruction</b>	3
1.0	Technical specification	4
2.0	Explanation of the key controls	5
3.0	When to use the RINK Scarifier	6
4.0	How to use the RINK Scarifier	6
5.0	Technical issues	6
5.1	Replacing/ Tensioning the V Belt	6
5.2	Replacing the cutting knives	6
5.3	Maintenance	7
6.0	Spare parts	8

### 1.0 TECHNICAL SPECIFICATIONS

<u>Model</u>	<u>S 510</u>
Working width	470 mm (18 ½")
Working depth	Up to 30 mm (1 ½")
Weight	48 Kg (105 lbs)
Slit spacing side-to-side	30 mm ( 1 3/16") standard 15 mm ( 5/8 ") optional
Shipping dimensions	800 x 600 x 600 mm (32"x 24"x 24")
Engine oil	SAE 15 W 40
Lubrication grease	EP 2
Engine gas	Standard unleaded.



**FIG.2. Some key controls**

## **2.0 Explanation of the key controls.**

In Fig.2. some important controls are drawn, as follows:

1. Steering handle. Tighten all bolts/ nuts after unpacking.
2. Dead Men's lever. Should be squeezed, otherwise engine will not start or shut down
3. Dead Men's switch. May never be disconnected. Should work properly all the time.
4. Rewind starter
5. Fill gap for gas.
6. Air filter. Replace/ clean it in time.
7. Exhaust. DO NOT touch.
8. Oil fill opening for engine. Includes oil stick.
9. Front cover main unit. Should always be adjusted close to the ground.
10. Depth adjustment spindle.
11. Lock nut for depth adjustment spindle.
12. Throttle
13. Choke.

### 3.0 When using the RINK Scarifier ?

The RINK Scarifier is used on grass field to cut into the turf and removing grass, weeds and moss allowing air to enter the turf. This air will make the grass more healthy. As we can adjust the working depth of the RINK Scarifier, we can easily choose for a light or heavy treatment.

### 4.0 How to use the RINK Scarifier ?

The following points prescribe how to use the RINK Scarifier:

1. The RINK Scarifier is delivered without any oil and gas. Fill the oil through the oil fill gap till the indicator's level. We recommend SAE 15 W 40. Use the regular unleaded gas for the engine.
2. After the job is done, during transport and before starting the engine, the machine has to be raised with the depth adjustment spindle, till the blades are about 15 mm (3/4") of the ground. NOTE: THE BLADES ARE DIRECTLY CONNECTED TO THE ENGINE. WHEN THE MOTOR RUNS, THE BLADES ROTATE AS WELL; DO NOT RAISE THE RINK SCARIFIER FROM THE GROUND AND DO NOT PUT ANY LIMBS CLOSE TO THE BLADES.
3. Start the engine using the rewind starter. Set the throttle at full speed and use the choke, if necessary. NOTE. THE DEAD MEN'S LEVER SHOULD BE SQUEEZED, OTHERWISE THE ENGINE WILL NOT RUN.
4. When the engine runs, reduce the throttle till half way. Let the engine runs for 1 minute at this speed, so it can warm up.
5. If the engine doesn't run, check the engine's manual.
6. When the RINK Scarifier is on the site, adjust the working depth ( ENGINE SHOULD BE OFF), start the engine, set the throttle at the correct speed and do the job.

### 5.0 Technical issues.

#### 5.1 Tensioning/ replacing the V Belt:

1. Remove the V belt cover
2. Check the condition of the V belt. If worn or in bad shape, replace the V Belt.
3. Slacken the 4 bolts with which the engine is fitted to the main chassis.
4. Slide the engine towards the steering lever to tighten the V belt.
5. Tighten the 4 bolts again. NOTE. DO NOT OVERTIGHTEN THE V BELT TENSION. SERIOUS DAMAGE MAY APPEAR.
6. Mount the V-belt cover.

#### 5.2 Replacing the cutting knives:

1. Remove the V belt cover.
2. Slacken the 4 bolts with which the engine is fitted to the chassis.
3. Remove the V belt.
4. Remove the 2 x 2 bolts that mounts the bearings of the main knife shaft to the chassis. The whole knife shaft will come out. NOTE. THE KNIFES CAN BE VERY SHARP. BE VERY CAREFUL.
5. Remove the bearing at the opposite end of the V belt pulley.
6. Remove the nut that tighten all blades on the shaft.
7. All knives with distance bushes can be taken off.
8. Replace blades.
9. Start assembling the whole shaft again, the same way as taken apart. NOTE: SOME BLADES ARE ROTATIONAL SENSITIVE. CHECK THE CORRECT POSITION. Looking at the shaft end at which the blades have been taken away, the shaft runs clock wise.
10. Check whether all bolts nuts are tight after re assembly and no parts have been forgotten.

### 5.3 Maintenance:

1. The engine oil should be exchanged at a minimum of once a year. Check the engine manual for more information
2. The machine needs greasing every 100 hours of use, or once a year.
3. When the RINK Scarifier isn't used for a longer period, the following should be done:
  - a. Clean the machine.
  - b. Empty the gas tank
  - c. Clean the knives.
  - d. Put some oil on the knives to prevent them from rusting.
  - e. Store the machine on a safe dry place.





## 6.0 Spare parts.

In attached list and drawing the most important parts are mentioned. Always inform us with the serial number, as we reserve the rights to change the technical feature of the machine.

#	Part number	Description	Quantity
1	03001	Steering lever	1
2	04000	Handle	1
3	03089	Switch	1
4	02004	Knurled nut	4
5	02002	Bolt	4
6	03008	Bottom steering lever	1
7	04002	Engine cover	1
8	03057	Bolt	4
9	03058	V belt pulley engine	1
10	03068	V belt drive cover	1
11	02004	Knurled nut	2
12	03066	Distance bush	2
13	02007	Bolt	2
14	03059	V Belt	1
15	03055	V belt pulley main shaft	1
16	03097	Front cover	1
17	03029	Complete bearing pulley side	1
18	10636	Bolt	2
19	03200	Wheel shaft front	1
20	03030	Plate	2
21	03022	Nut	2
22	02013	Bolt	4
23	02024	Washer	1
24	02027	Complete front wheel	2
25	02029	Bolt front wheel	2
26	10497	Grease fitting	2
27	03074	Spindle support eye	1
28	03014	Cotter pin	1
29	03201	Spindle	1
30	03072	Square nut	1
31	03031	Winged nut	1
32	03202	Knurled nut	1
33	03026	Bolt	4
34	03028	Complete bearing	1
35	03022	Nut	4
36	03038	Lock nut	2
37	03039	Lock washer	1
38	03042	Distance bush	28
39	03043	Knife thick 1.5 mm (Standard deliverd with machine0	15
	03040	Knife, thick 1.2 mm off set tip (option)	15
	03130	Knife thick 2.8 mm (option)	14
40	03044	Main shaft	1
41	03027	Chassis	1
42	03063	Wheel shaft rear	1
43		Is one part with # 44	
44	03032	Washer	2
45	08065	Complete rear wheel	2
46	03032	Washer	2
47	03024	Nut	3
48	03016	Bolt	4
49	03022	Nut	4
50	03045	Key	2
51	02066	Nut	3
52	03019	Rubber seal strip	1
53	03018	Support strip	1
54	03013	Bolt	3
	03060	Complete main shaft with 15 knives 1.5 mm (standard)	
	03061	Complete main shaft with 27 knives 1.5 mm (standard)	

