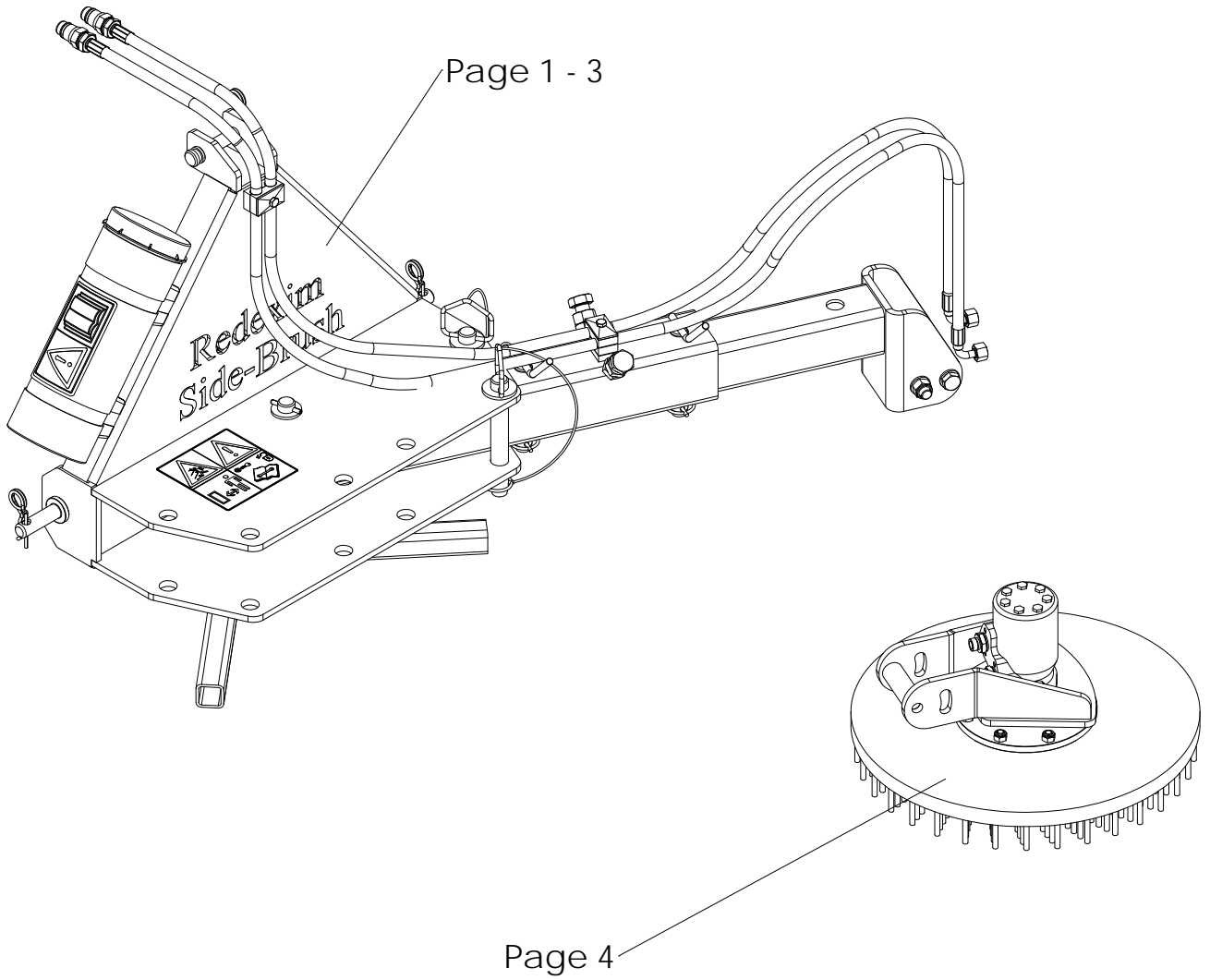
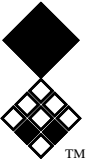
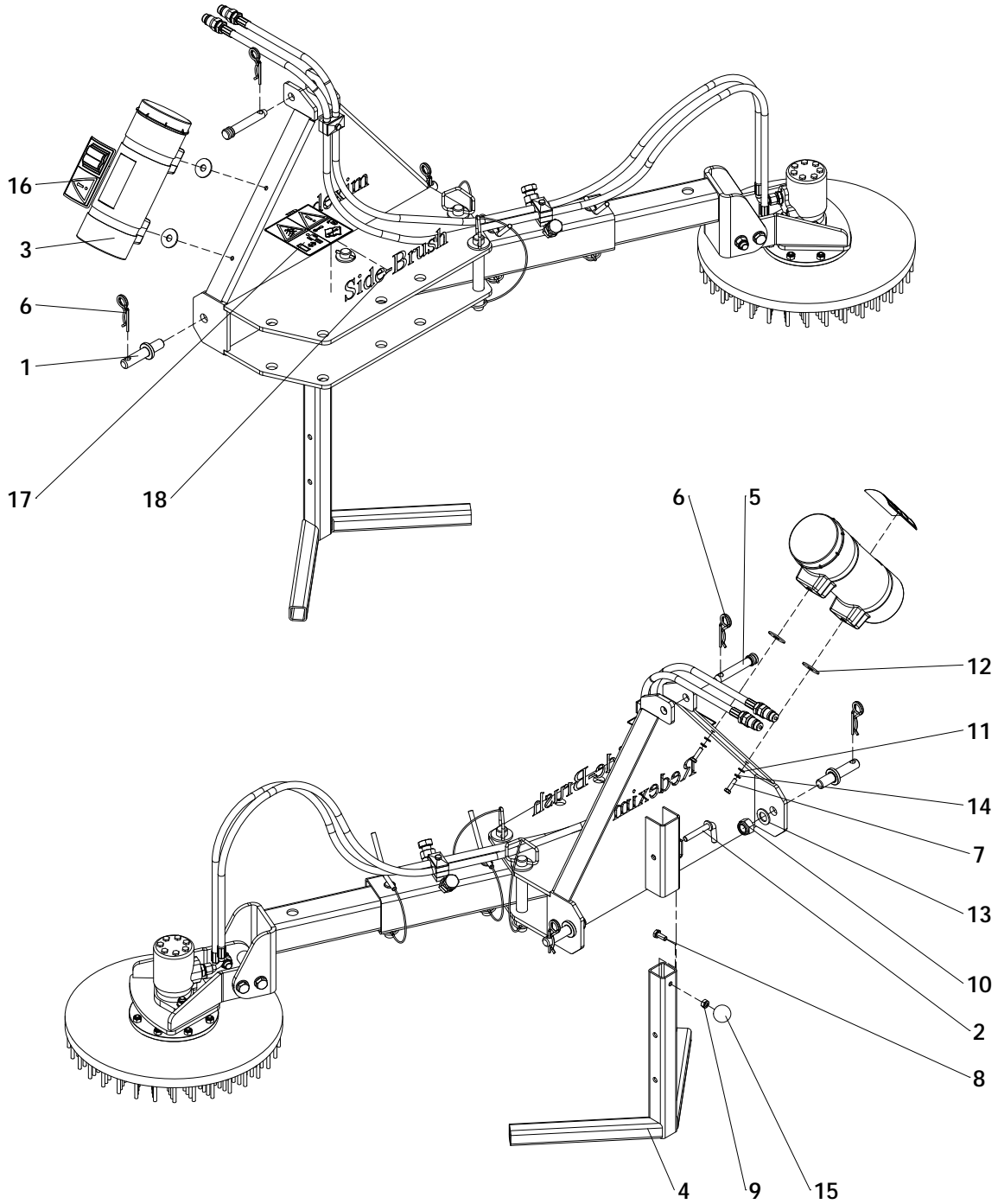
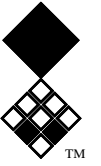


# Parts manual

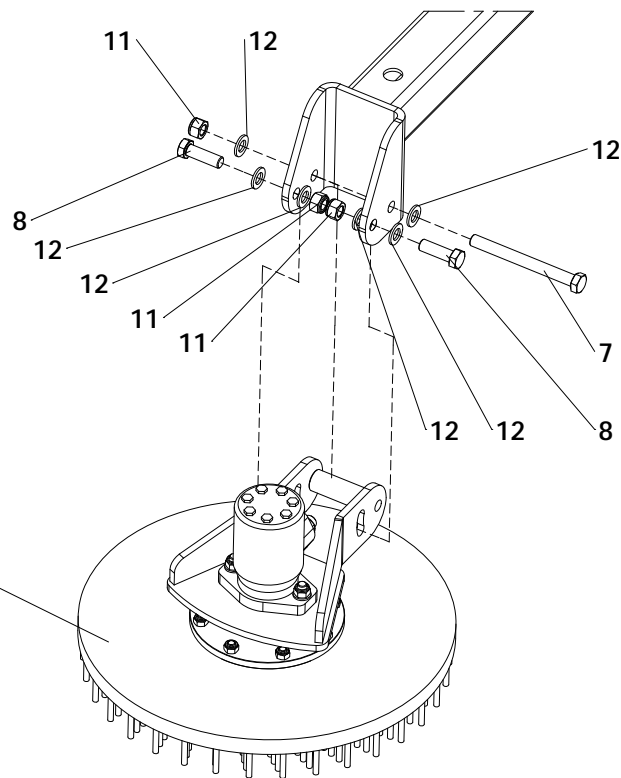
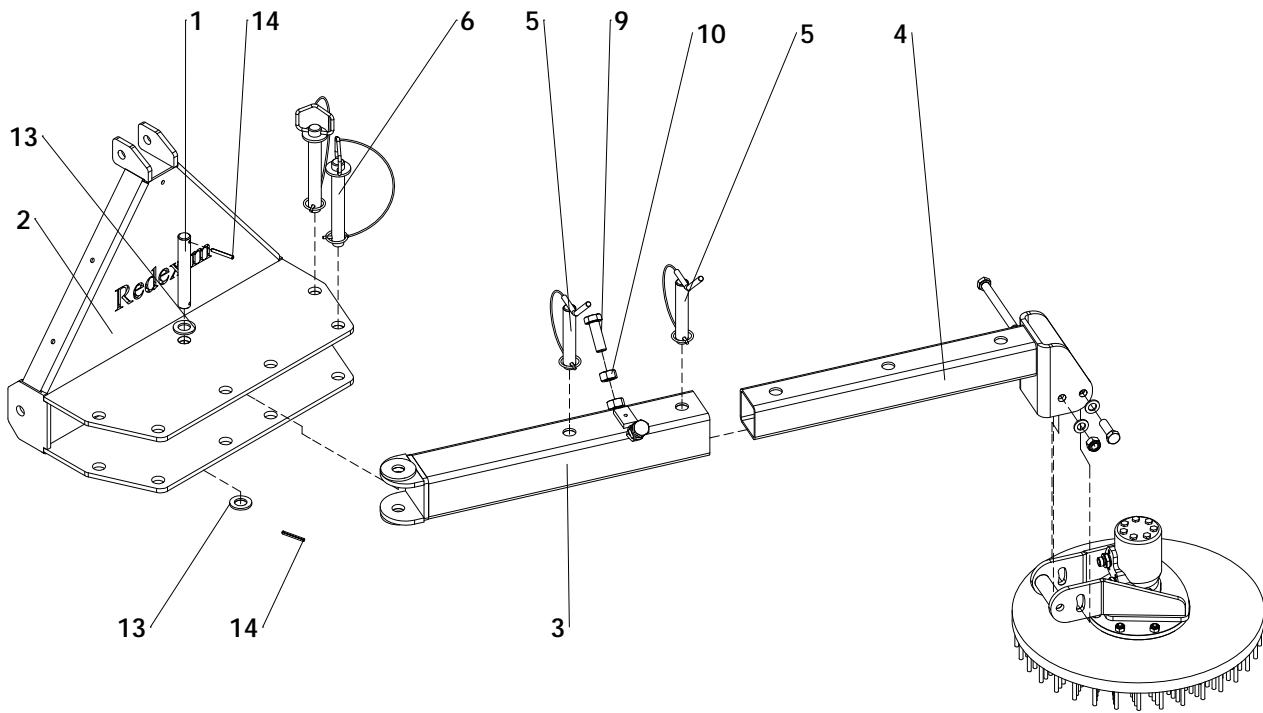
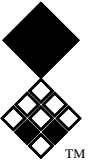




Hydraulic : Page 5

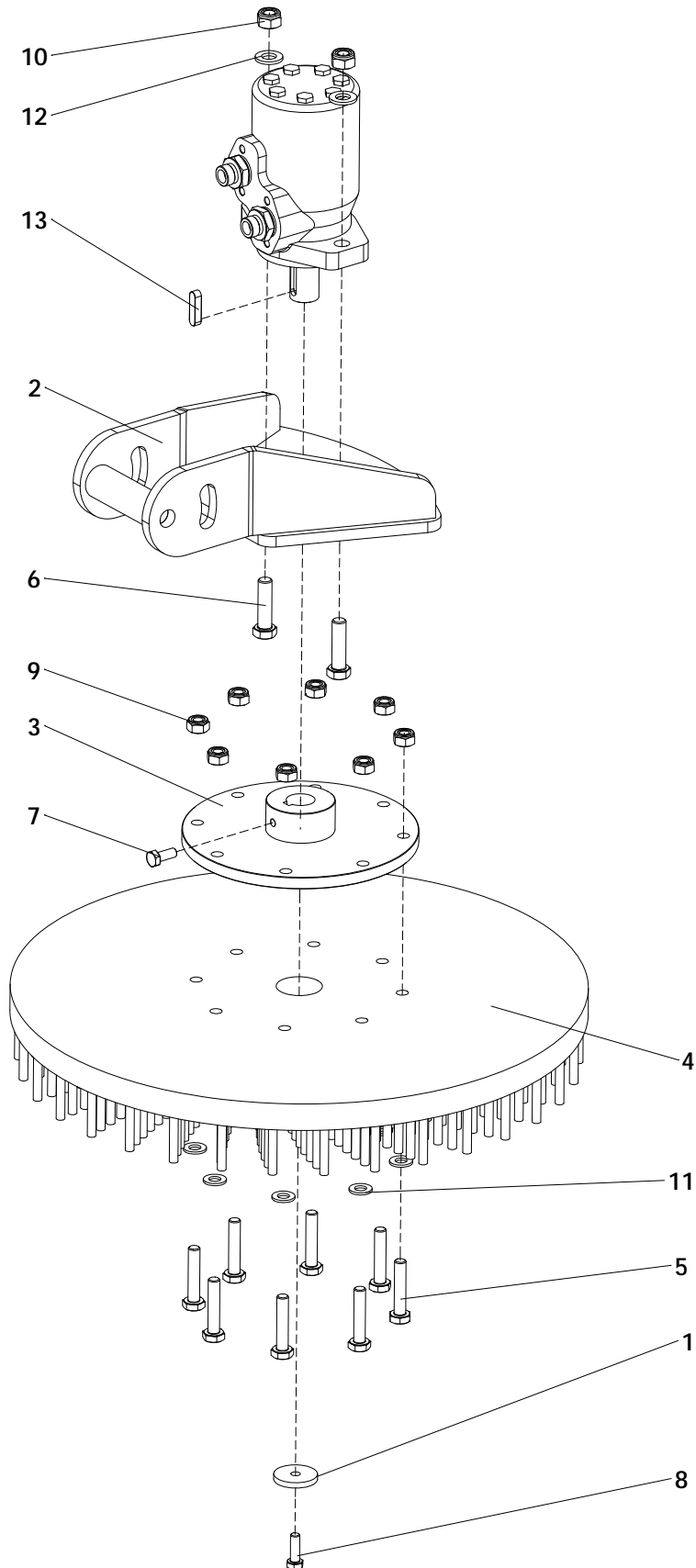
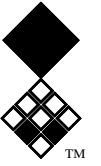


ITEM	PART NUMBER	DESCRIPTION	REMARKS	QUA
1	2490881	Bottom 3-Point Pin		2
2	424.120.970	Lock pin		1
3	444.803.100	Toolbox Complete		1
4	462.450.622	support leg		1
5	521.191.120	Top Link Pin		1
6	523.051.000	R-clip Round 5, DIN 11024		3
7	804.080.300	Bolt M8 x 30 - ISO 4017		2
8	804.100.250	Bolt M10 x 25 - ISO 4017		1
9	826.100.100	Nut M10 - DIN 934		1
10	830.220.220	Self Lock Nut M22 - ISO 10511		2
11	864.080.030	Washer M8 - ISO 7089		2
12	864.140.031	Large washer M14 - DIN 9021		2
13	864.220.030	Washer M22 - ISO 7089		2
14	866.080.020	Spring Washer M8 - DIN 127		2
15	892.100.380	Plastic Ball Knob Din 319 M10		1
16	900.280.402	Safety decall manual		1
17	933.280.402	Safety decall Rink Verti-Top		1
18	942.260.408	Label Side-Brush		1



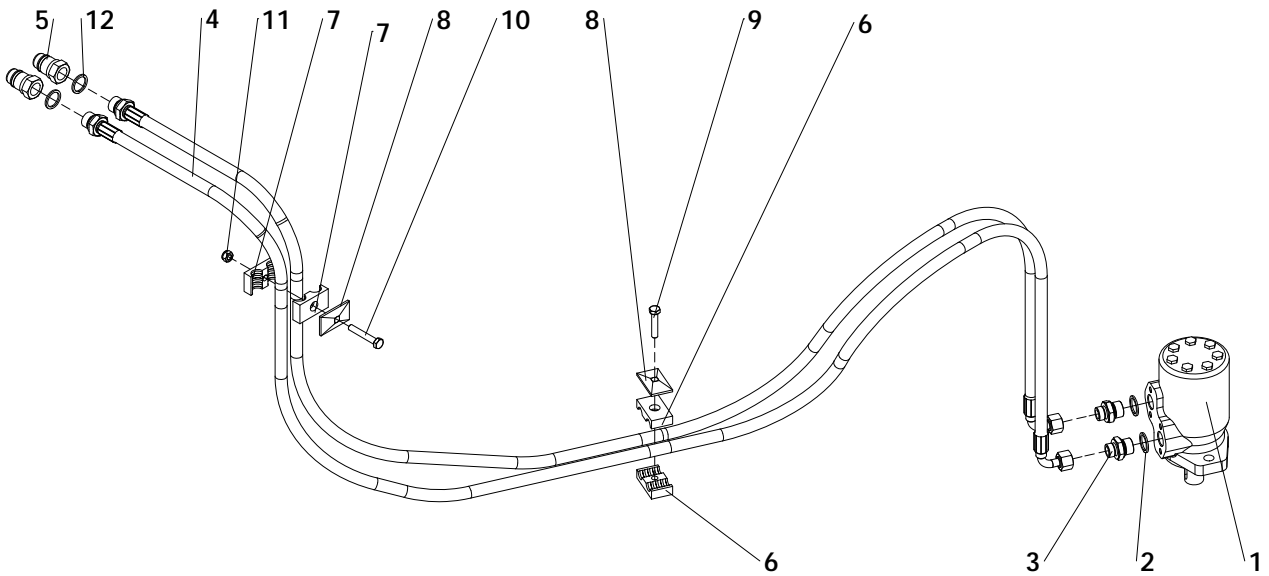
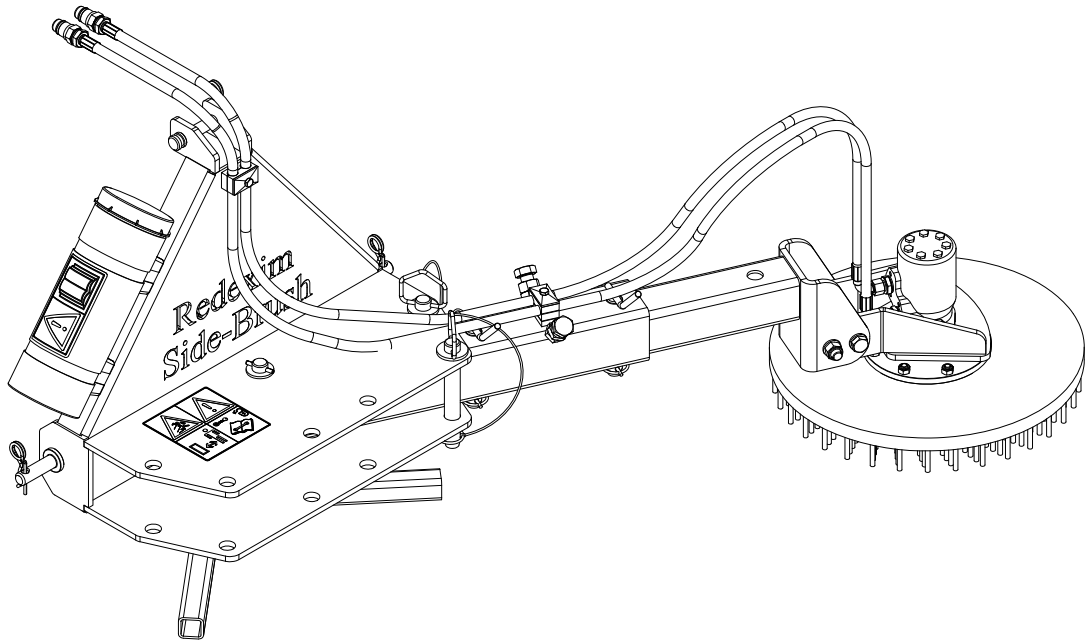
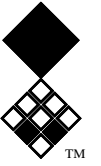
Page 4

ITEM	PART NUMBER	DESCRIPTION	REMARKS	QUA
1	414.251.700	Shaft Ø25 L=170		1
2	470.525.658	Frame		1
3	470.680.100	welding assembly beam		1
4	470.710.126	Welding assembly beam		1
5	521.251.300	Pin Ø25 L=130		2
6	521.251.630	Pin Ø25.4 L=163		2
7	802.161.600	Bolt M16 x 160 - ISO 4014		1
8	804.160.500	Bolt M16 x 50 - ISO 4017		2
9	804.200.600	Bolt M20 x 60 - ISO 4017		2
10	826.200.200	Nut M20 - DIN 934		2
11	830.160.160	Self Lock Nut M16 - ISO 10511		3
12	864.160.030	Washer M16 - ISO 7089		6
13	864.240.044	Washer M24 - ISO 7089		2
14	878.060.500	Roll Pin 6 x 50 - ISO 8752		2



ITEM	PART NUMBER	DESCRIPTION	REMARKS	QUA
1	412.850.050	washer		1
2	470.254.273	Support		1
3	474.200.046	weld assy brush support		1
4	486.500.070	Brush Ø500		1
5	802.100.500	Bolt M10 x 50 - ISO 4014		8
6	802.120.450	Bolt M12 x 45 - ISO 4014		2
7	804.080.200	Boit M8 x 20 - ISO 4017		1
8	804.080.250	Bolt M8 x 25 - ISO 4017		1
9	830.100.100	Self Lock Nut M10 - ISO 10511		8
10	830.120.120	Self Lock Nut M12 - ISO 10511		2
11	864.100.030	Washer M10 - ISO 7089		8
12	864.120.030	Washer M12 - ISO 7089		2
13	884.080.320	Key 8x7x32 - DIN 6885		1





ITEM	PART NUMBER	DESCRIPTION	REMARKS	QUA
1	532.251.550	Hydraulic motor OMP 200		1
2	874.210.020	Copper washer 1_2		2
3	544.130.402	Nipple BSP 1_2" x pipe 12 (M18)		2
4	541.172.700	Hose NSK10-3/8" TL=2700 PN108 + PGLO101890		2
5	545.210.800	Quick connector male 1/2"		2
6	547.150.150	Hose clamp double 15mm		2
7	547.180.180	Hose clamp double 18mm		2
8	547.300.510	Cover plate hose clamp 2x15 - 2x18		2
9	802.080.400	Bolt M8 x 40 - ISO 4014		1
10	802.080.500	Bolt M8 x 50 - ISO 4014		1
11	830.080.080	Self Lock Nut M8 - ISO 10511		1
12	874.210.020	Copper washer 1_2		2