

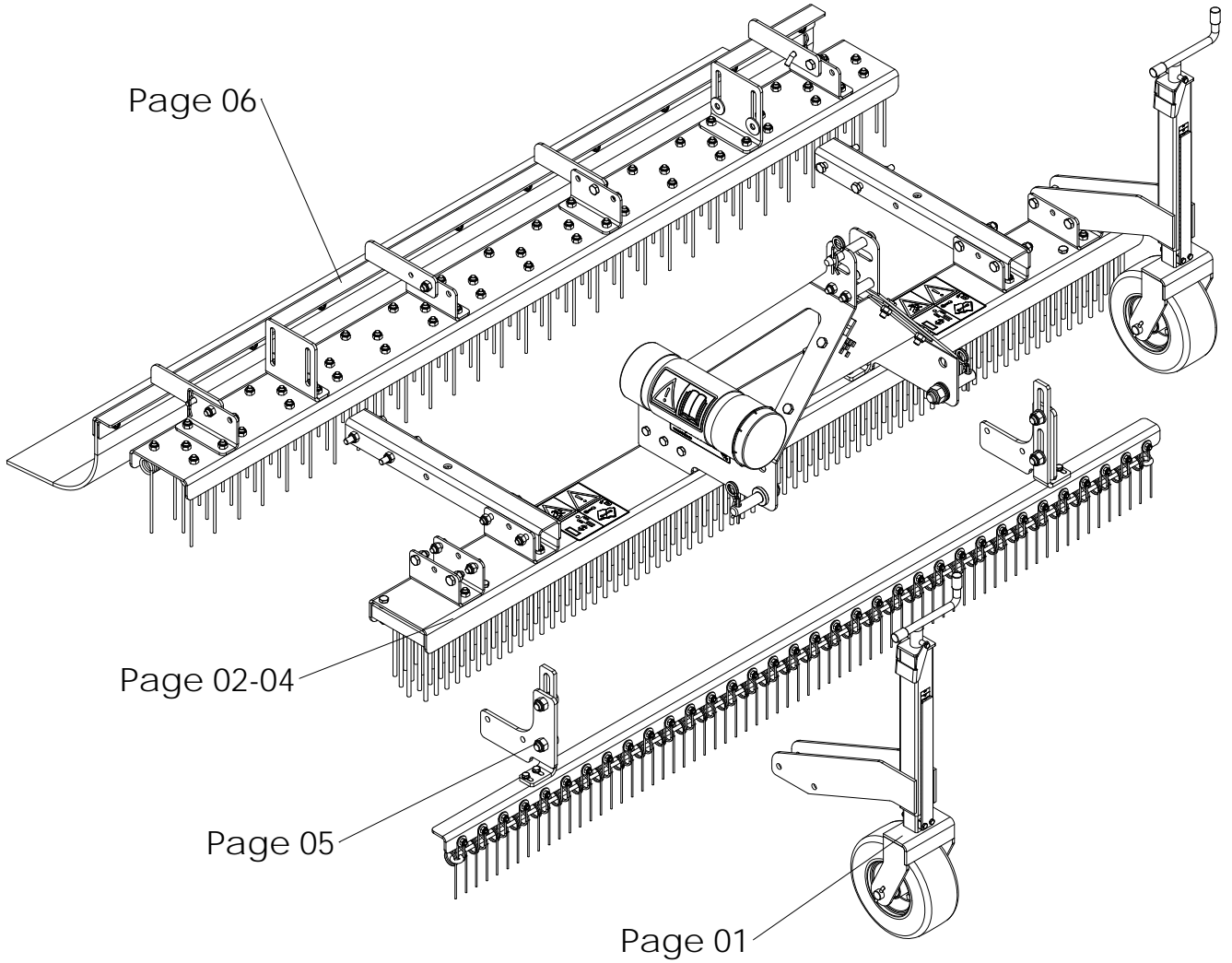
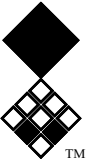
Parts manual

Redexim 

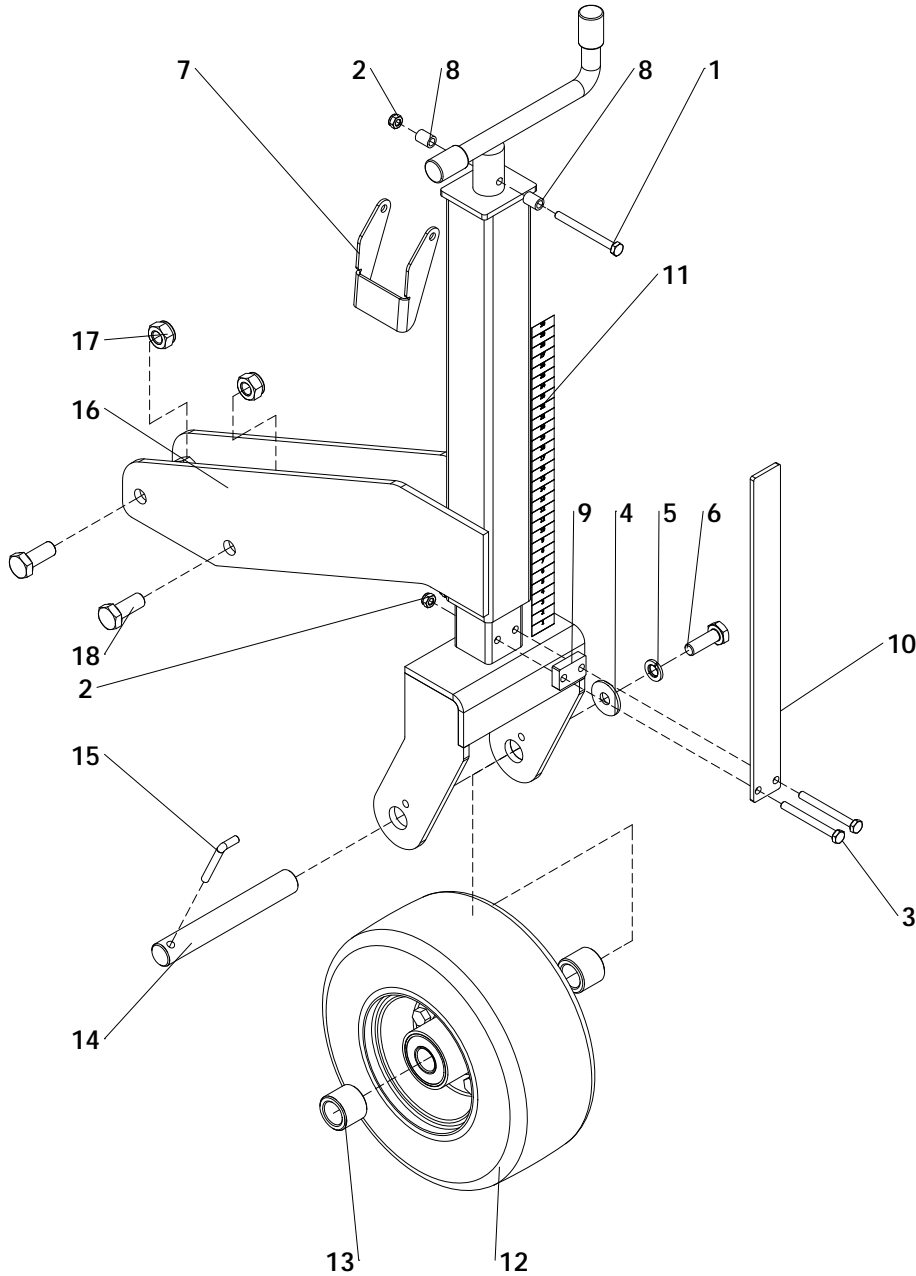
# Combi-Groom



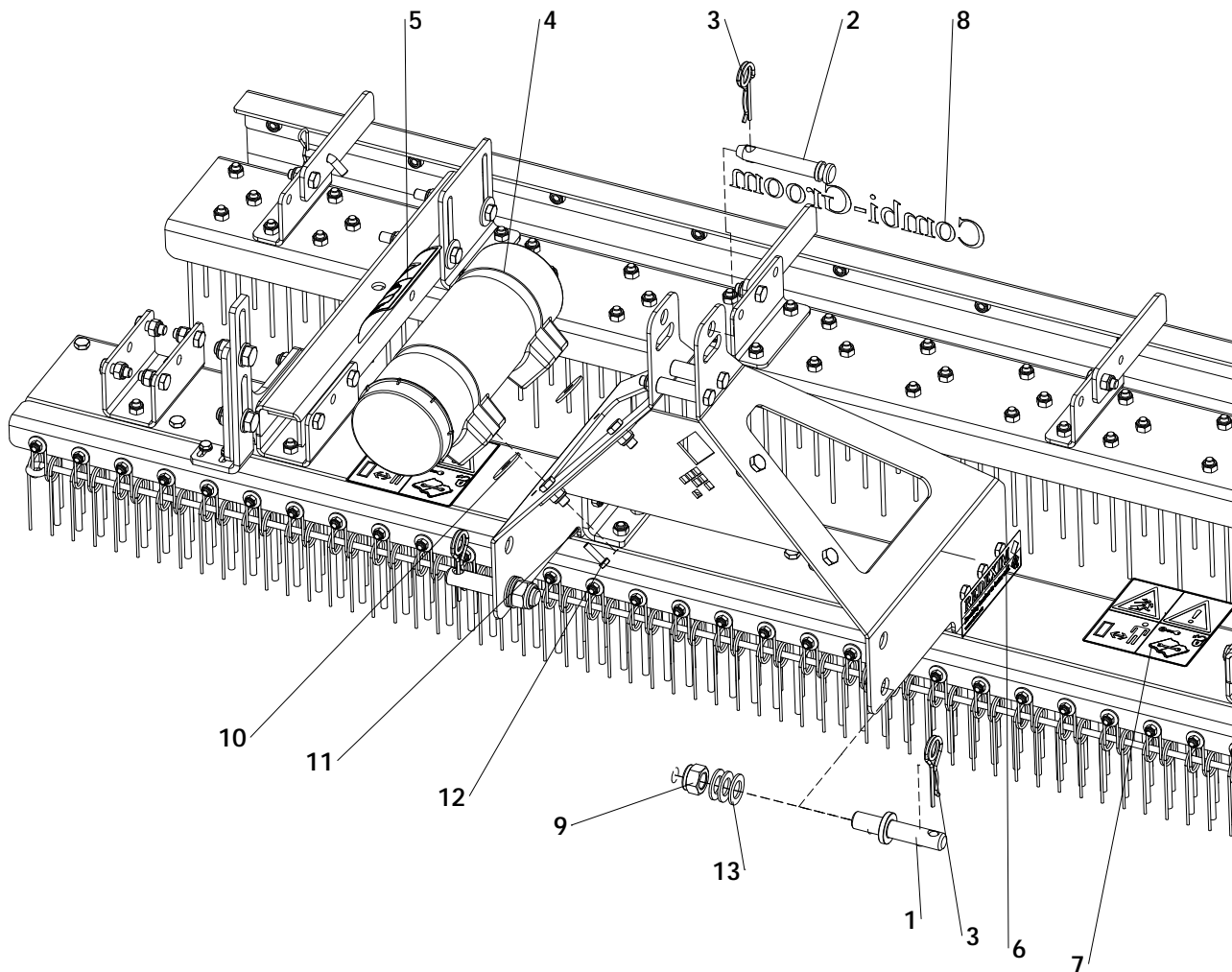
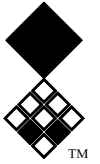
REDEXIM  
Kwekerijweg 8  
3709JA - Zeist - The Netherlands  
T: +31 (0)306 933 227  
E: [verti-drain@redexim.com](mailto:verti-drain@redexim.com)  
[www.redexim.com](http://www.redexim.com)



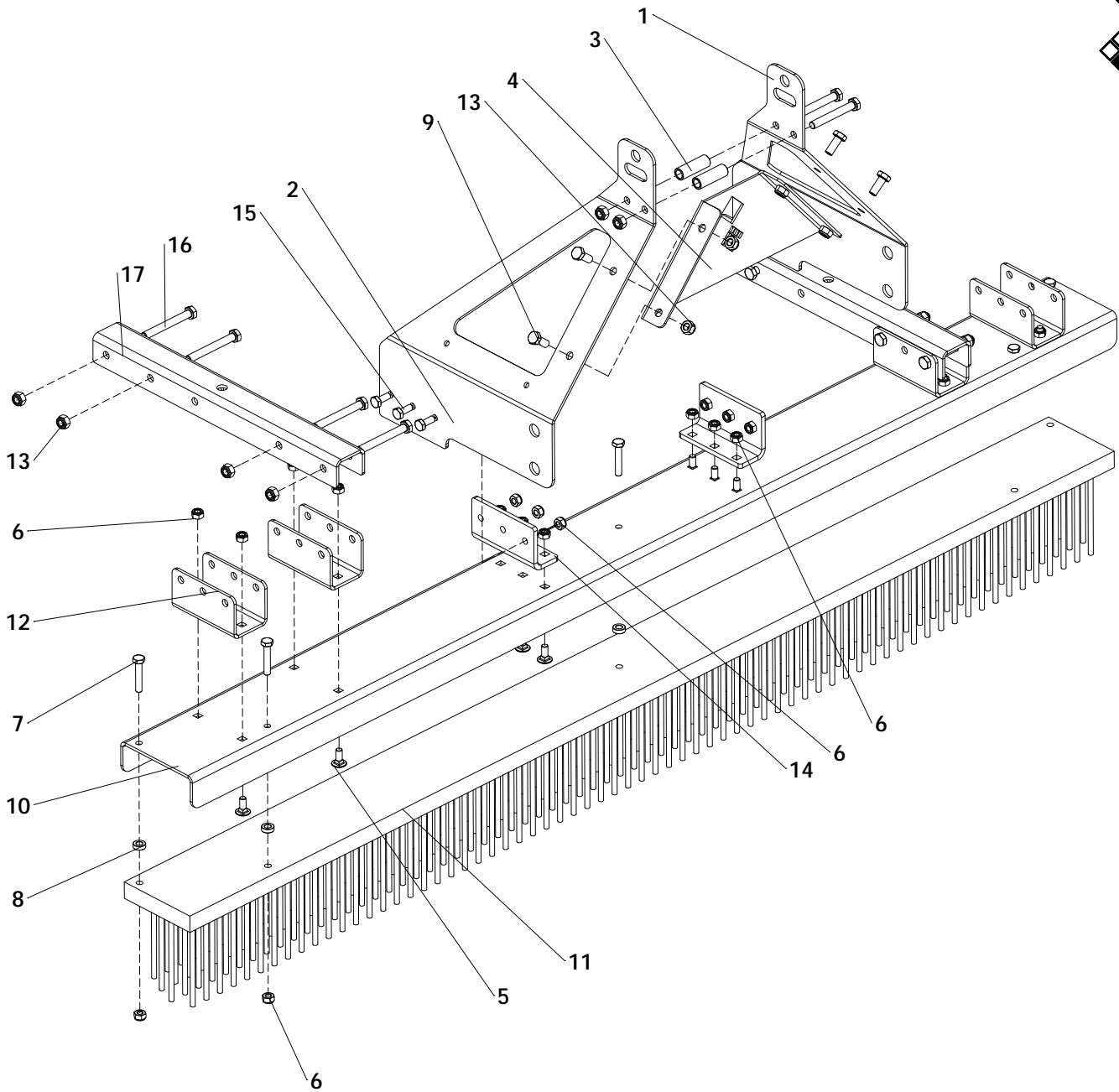
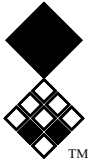
Option:  
Rear brush      Page 07  
Magnatic bar    Page 08  
Draw bar        Page 09



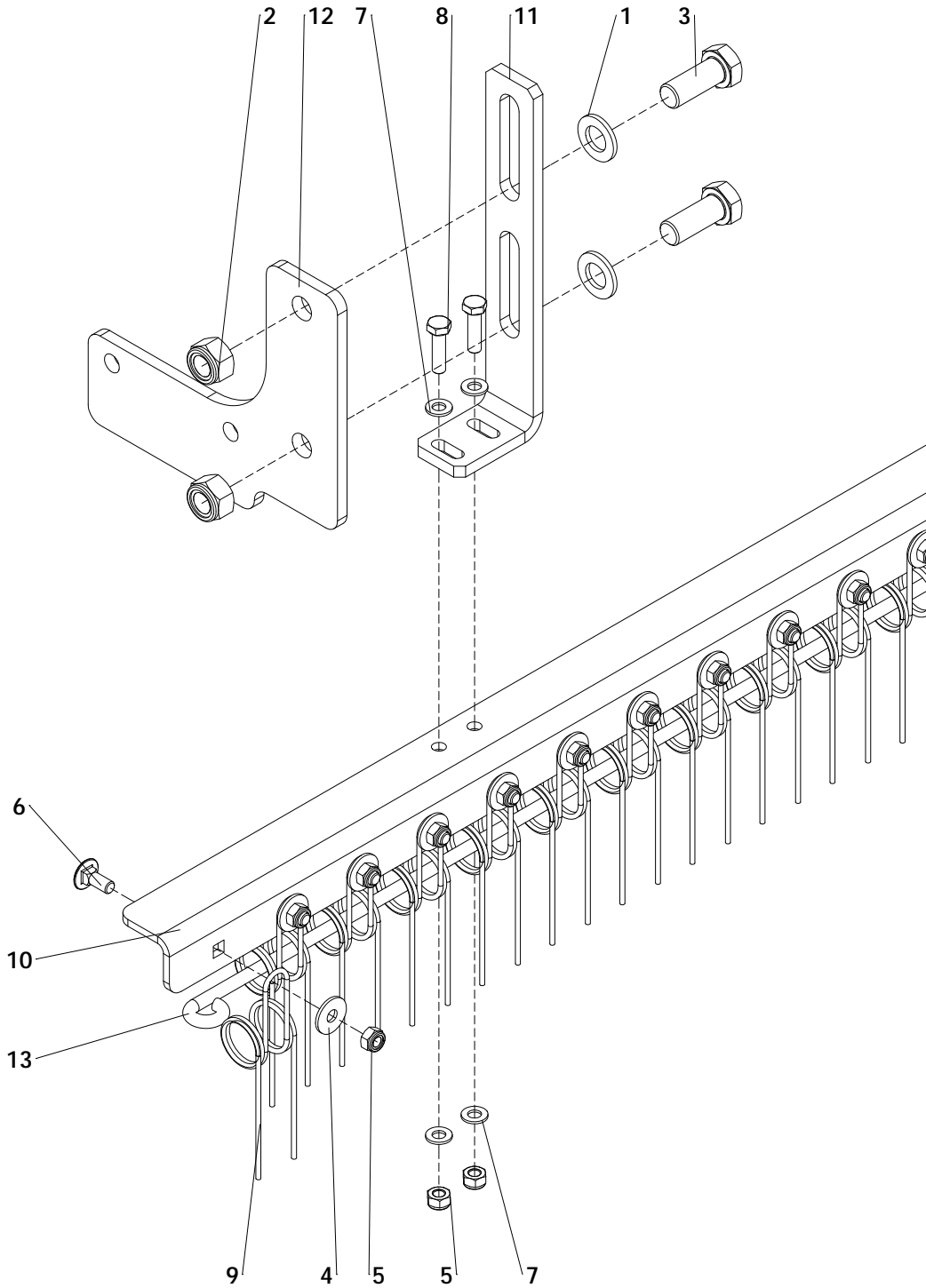
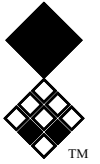
ITEM	PART NUMBER	DESCRIPTION	REMARKS	QUA
1	802.060.650	Bolt M6 x 65 - ISO 4014		2
2	830.060.060	Self Lock Nut M6 - ISO 10511		6
3	802.060.600	Bolt M6 x 60 - ISO 4014		4
4	864.100.031	Large washer M10 - DIN 9021		2
5	866.100.020	Spring Washer M10 - DIN 127		2
6	804.100.300	Bolt M10 x 30 - ISO 4017		2
7	468.031.180	Lock Plate		2
8	402.070.140	Distance Bush		4
9	464.080.300	Distance Block		2
10	464.043.150	Height Indicator Strip, L= 315		2
11	900.260.414	Decall Ruler		2
12	511.210.091	Wheel 9x3.50-4NHS		2
13	406.200.240	Distance bush Ø30/Ø20.2 L=24.5		4
14	416.201.460	Wheel shaft		2
15	424.060.480	Lock Pin		2
16	460.507.500	Wheel jack		2
17	830.120.120	Self Lock Nut M12 - ISO 10511		8
18	804.120.300	Bolt M12 x 30 - ISO 4017		8



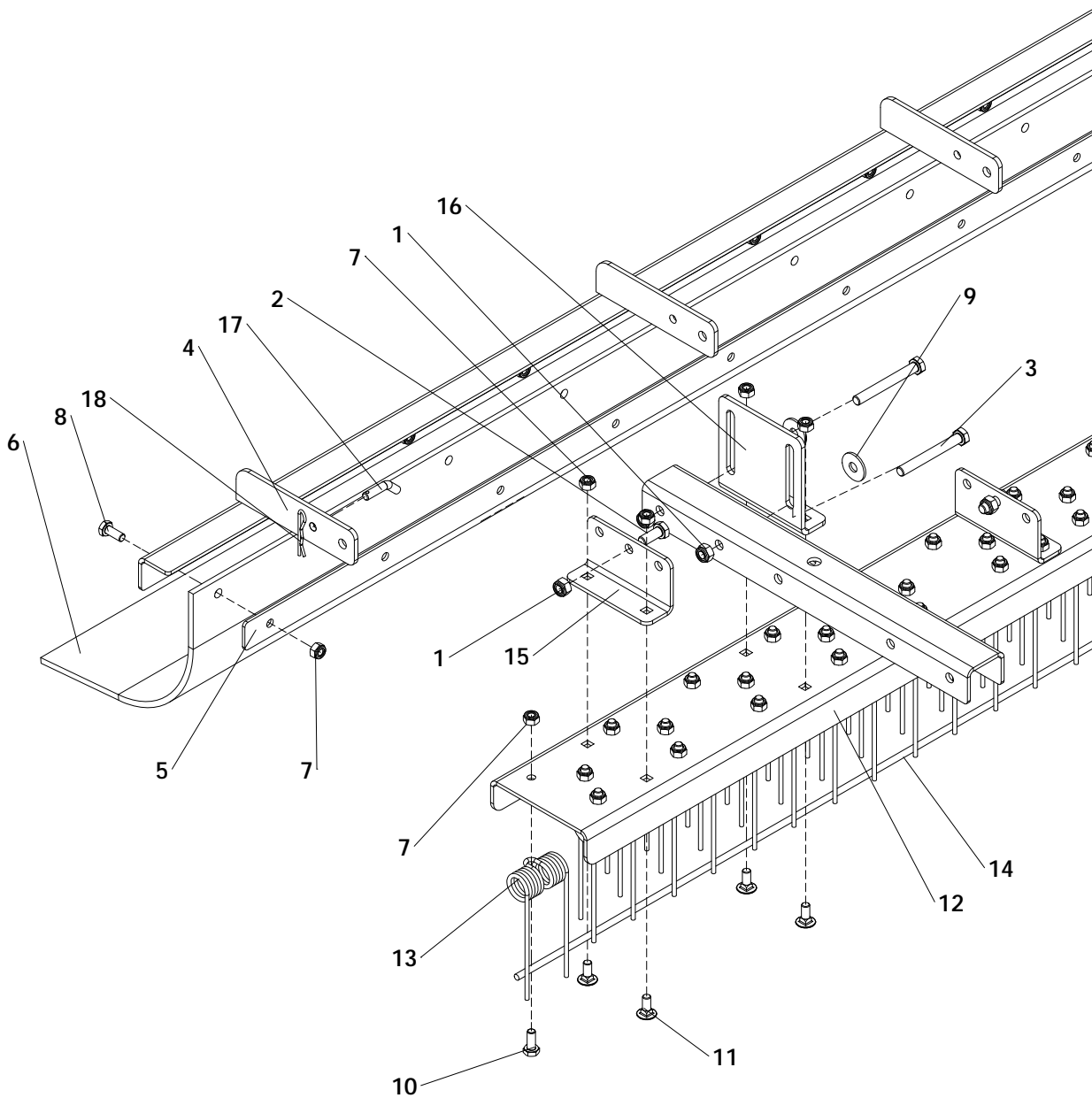
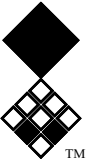
ITEM	PART NUMBER	DESCRIPTION	REMARKS	QUA
1	2490881	Bottom 3-Point Pin		2
2	521.191.120	Top Link Pin		1
3	523.051.000	R-clip Round 5, DIN 11024		3
4	444.803.100	Toolbox Complete		1
5	900.280.402	Safety decall manual		1
6	900.260.403	Logo Label		2
7	933.280.402	Safety decall		2
8	911.260.413	Decall Combi-Groom		1
9	830.220.220	Self Lock Nut M22 - ISO 10511		2
10	864.140.031	Large washer M14 - DIN 9021		2
11	866.080.020	Spring Washer M8 - DIN 127		2
12	804.080.300	Bolt M8 x 30 - ISO 4017		2
13	864.220.030	Washer M22 - ISO 7089		6



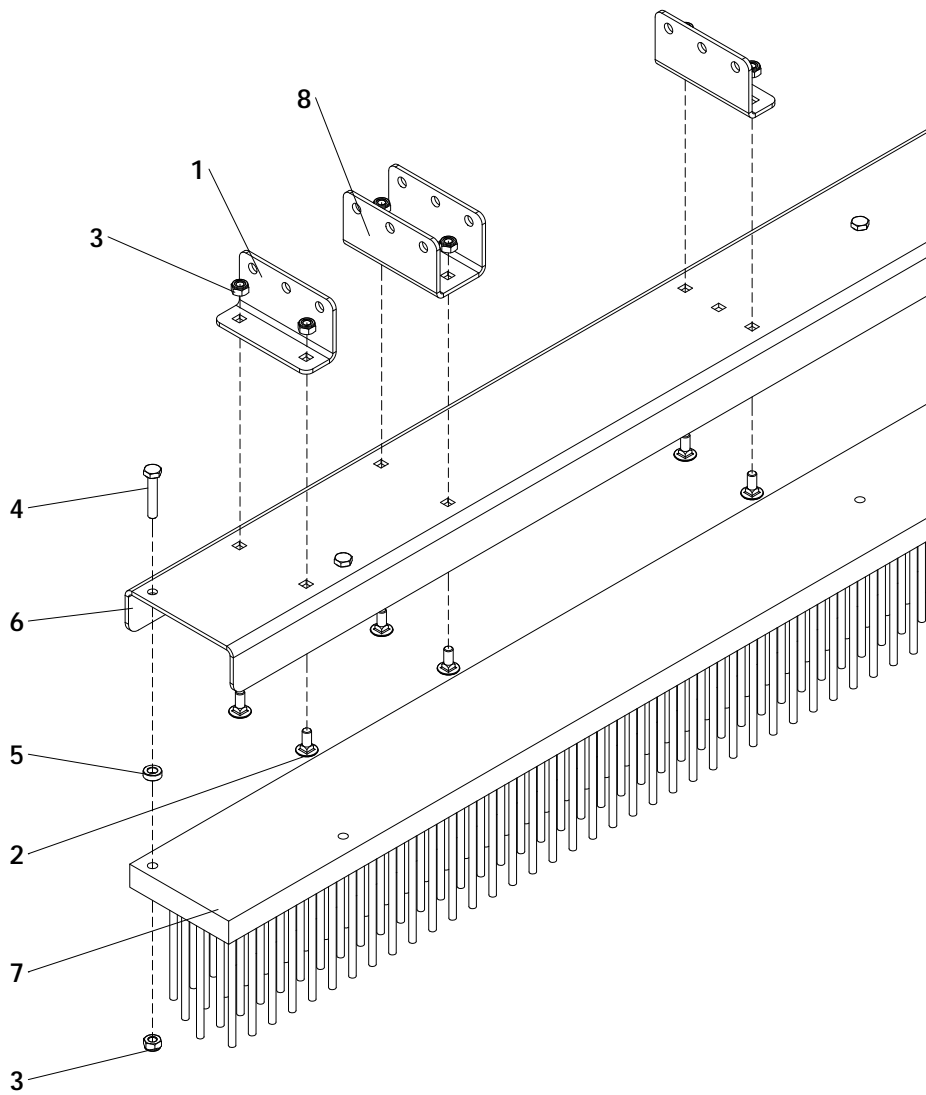
ITEM	PART NUMBER	DESCRIPTION	REMARKS	QUA
1	468.083.900	3-Point plate left		1
2	468.083.902	3-Point plate right		1
3	402.200.600	Distance bush		2
4	468.044.022	Support plate		1
5	820.100.250	MH Bolt M10 x 25 ISO 8677		14
6	830.100.100	Self Lock Nut M10 - ISO 10511		25
7	802.100.550	Bolt M10 x 55 - ISO 4014		5
8	406.110.070	Distance bush Ø20/Ø10.5 L=7		5
9	804.120.300	Bolt M12 x 30 - ISO 4017		4
10	470.089.200	U-beam		1
11	486.152.038	Brush LW WL=155 L=2038		1
12	468.051.406	U-bracket		4
13	830.120.120	Self Lock Nut M12 - ISO 10511		12
14	468.081.404	Support		2
15	804.100.250	Bolt M10 x 25 - ISO 4017		6
16	802.121.000	Bolt M12 x 100 - ISO 4014		8
17	468.055.500	Connection bar		2



ITEM	PART NUMBER	DESCRIPTION	REMARKS	QUA
1	864.160.030	Washer M16 - ISO 7089		4
2	830.160.160	Self Lock Nut M16 - ISO 10511		4
3	804.160.400	Bolt M16 x 40 - ISO 4017		4
4	864.080.024	Large washer M8 - DIN 9021		34
5	830.080.080	Self Lock Nut M8 - ISO 10511		38
6	820.080.200	MH Bolt M8 x 20 ISO 8677		34
7	864.080.030	Washer M8 - ISO 7089		8
8	804.080.300	Bolt M8 x 30 - ISO 4017		4
9	361.103.157	Tine for rake VT		34
10	468.069.203	Tine bar		1
11	464.083.080	Mounting strip beam		2
12	468.082.100	Rake plate		2
13	899.080.200	Rope for spring tines		1

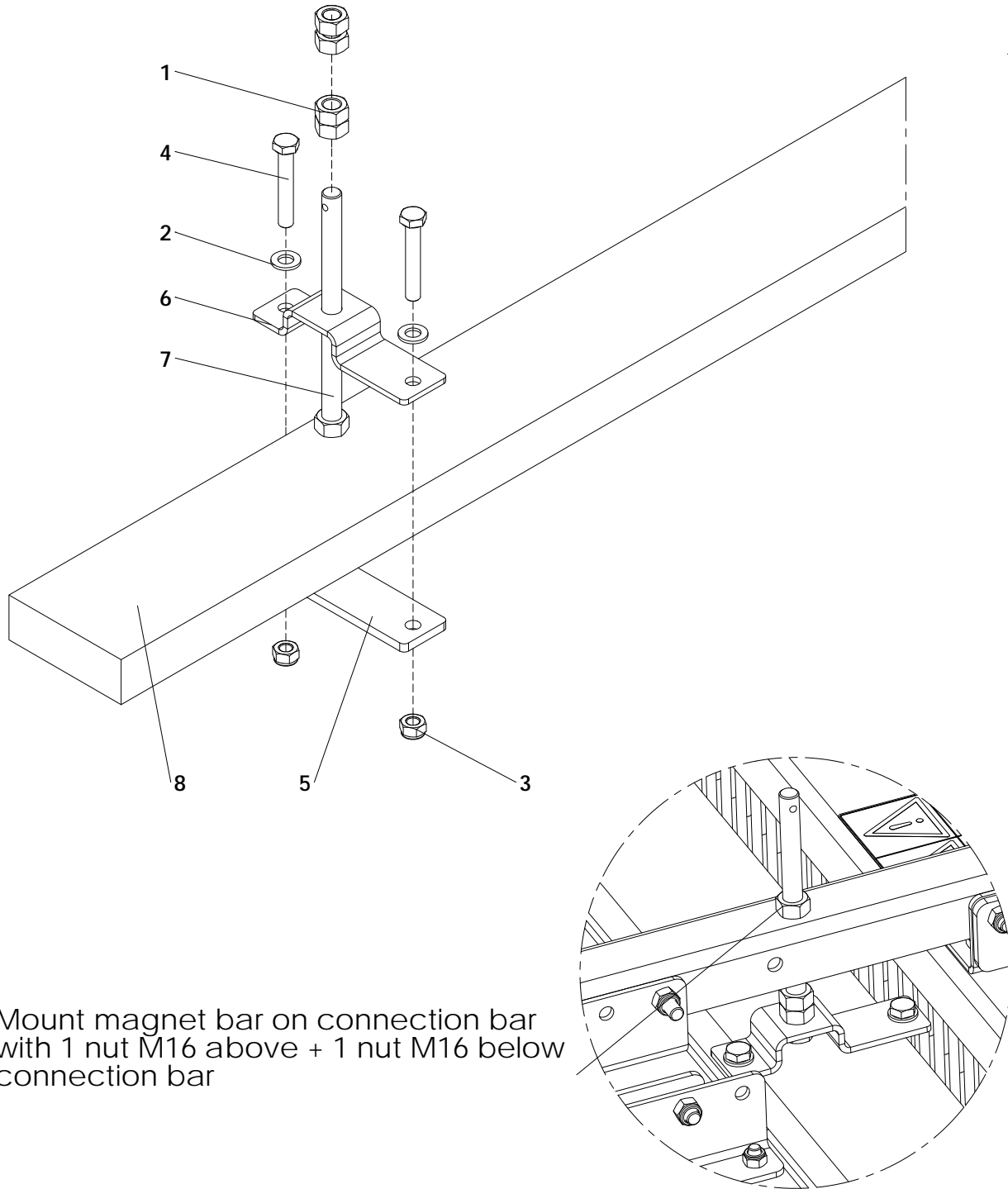


ITEM	PART NUMBER	DESCRIPTION	REMARKS	QUA
1	830.120.120	Self Lock Nut M12 - ISO 10511		8
2	804.120.300	Bolt M12 x 30 - ISO 4017		4
3	802.121.000	Bolt M12 x 100 - ISO 4014		4
4	470.059.204	Dragmat support		1
5	464.049.200	Lock strip		1
6	446.069.202	Rubber plate		1
7	830.100.100	Self Lock Nut M10 - ISO 10511		68
8	804.100.250	Bolt M10 x 25 - ISO 4017		11
9	864.120.031	Large washer M12 - DIN 9021		4
10	804.100.250	Bolt M10 x 25 - ISO 4017		45
11	820.100.250	MH Bolt M10 x 25 ISO 8677		12
12	470.069.200	U-beam		1
13	361.105.170	Spring tine heavy duty		45
14	899.080.200	Rope		3
15	468.051.408	L-bracket		4
16	468.061.410	L-Slide		2
17	424.100.590	Lock pin funnelbeam OS		2
18	523.030.570	R-Clip D=3		2



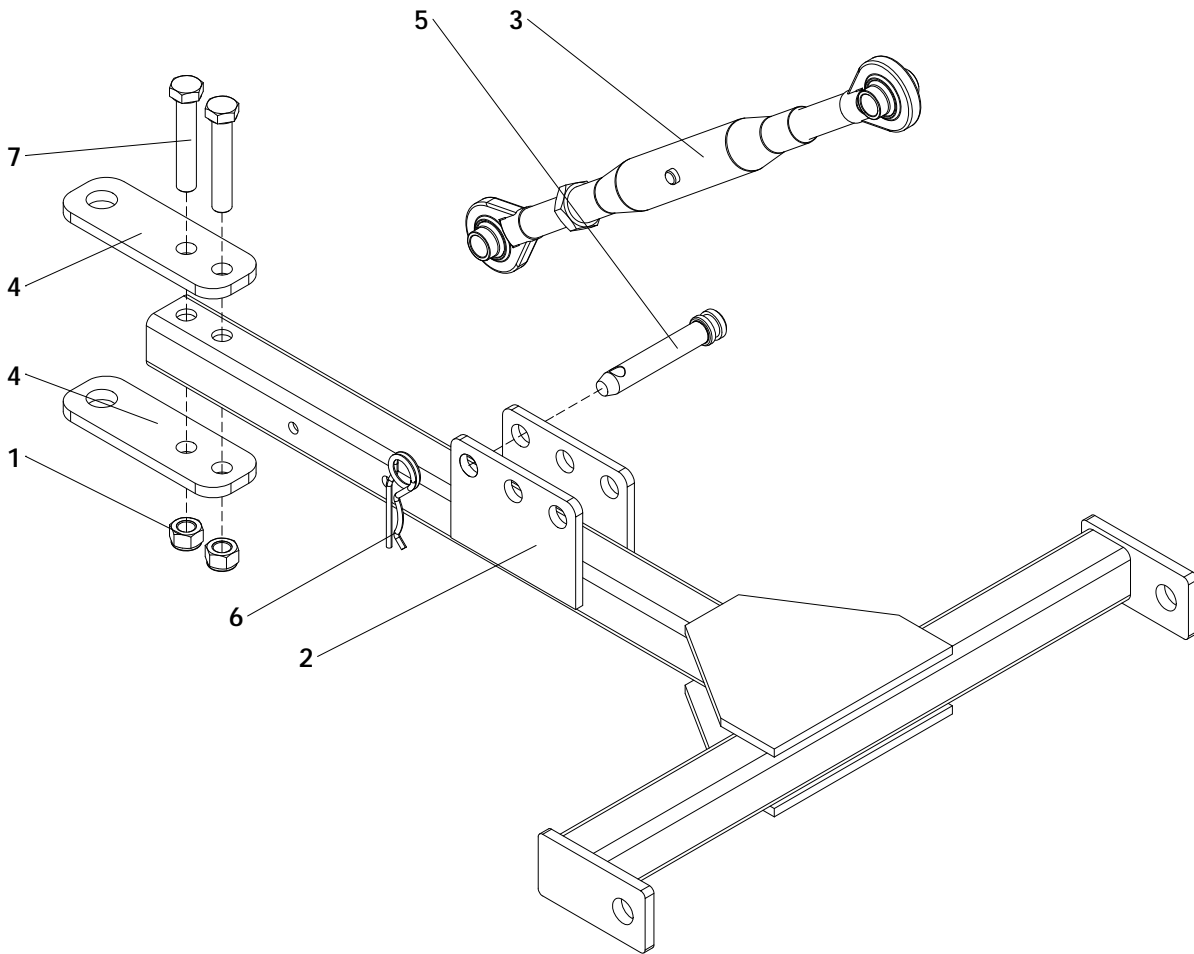
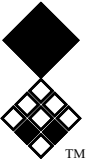
ITEM	PART NUMBER	DESCRIPTION	REMARKS	QUA
1	468.051.408	L-bracket		4
2	820.100.250	MH Bolt M10 x 25 ISO 8677		12
3	830.100.100	Self Lock Nut M10 - ISO 10511		17
4	802.100.550	Bolt M10 x 55 - ISO 4014		5
5	406.110.070	Distance bush Ø20/Ø10.5 L=7		5
6	470.089.200	U-beam		1
7	486.152.038	Brush LW WL=155 L=2038		1
8	468.051.406	U-bracket		2
	262.200.006	Rear brush assembly	Optional	





Mount magnet bar on connection bar with 1 nut M16 above + 1 nut M16 below connection bar

ITEM	PART NUMBER	DESCRIPTION	REMARKS	QUA
1	826.160.160	Nut M16 - DIN 934		8
2	864.120.030	Washer M12 - ISO 7089		4
3	830.120.120	Self Lock Nut M12 - ISO 10511		4
4	802.120.750	Bolt M12 x 75 - ISO 4014		4
5	464.081.740	Clamp strip		2
6	464.051.740	Clamp bracket		2
7	490.162.320	Spindle		2
8	498.213.013	Magnetic bar		1
	262.200.000	Magnet bar	Optional	



ITEM	PART NUMBER	DESCRIPTION	REMARKS	QUA
1	830.160.160	Self Lock Nut M16 - ISO 10511		2
2	494.520.725	Draw bar bogy Verti-Clean		1
3	522.194.200	Toplink Cat. 1 L0=420 Stroke=220 M24x3		1
4	464.101.800	Pull Eye Plate Bogy		2
5	521.191.120	Top Link Pin		1
6	523.051.000	R-clip Round 5, DIN 11024		1
7	802.160.900	Bolt M16 x 90 - ISO 4014		2
	262.120.000	Drawbar Combi-Groom	Optional	