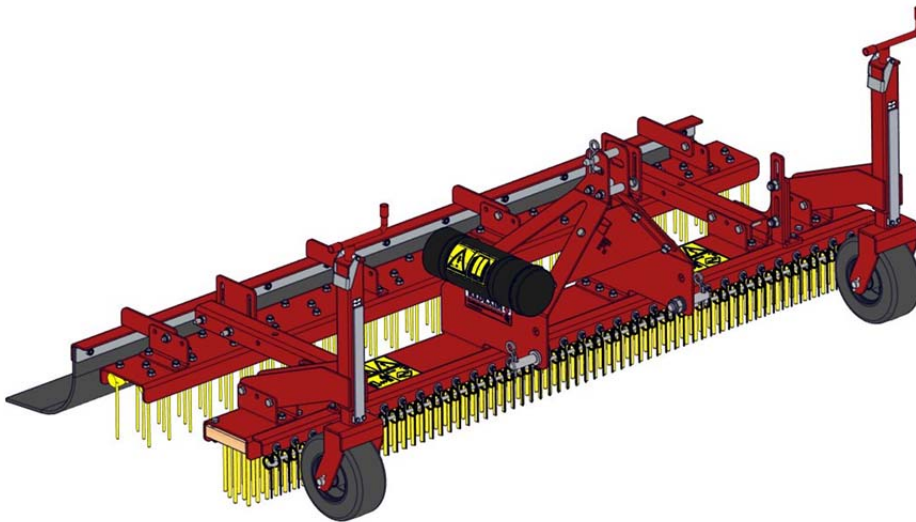


## Combi-Groom



1808 English 962.120.000

### **REDEXIM**

Kwekerijweg 8

3709JA – Zeist – The Netherlands

Tel.: +31 (0)306 933 227

E-mail: [redexim@redexim.com](mailto:redexim@redexim.com)

Internet: [www.redexim.com](http://www.redexim.com)

**EU DECLARATION**



We:

**Redexim BV**  
**Utrechtseweg 127**  
**3702 AC Zeist, Holland**

declare entirely under our own responsibility that the product:

**COMBI-GROOM WITH A MACHINE NUMBER AS INDICATED ON THE MACHINE AND INDICATED IN THIS MANUAL**

to which this declaration refers, complies with the stipulation of the 2006/42/EC machine directive and the following norms: NEN-EN-ISO 12100:2010, NEN-EN-ISO 13857:2008.

Zeist, 22.02.2018

A handwritten signature in blue ink, appearing to be 'A.C. Bos', written over a light blue rectangular background.

A.C. Bos  
Manager Operations & Logistics  
**Redexim Holland**

## FOREWORD

Congratulations on your Combi-Groom purchase. For safe and long-lasting operation of this machine, it is necessary to read and to understand this user manual. It is impossible to work safely with this machine without complete knowledge of the content of the user manual.

This machine does not operate independently. It is the user's responsibility to use the correct tractor or other towing vehicle. The user should check the combination of the towing vehicle and the machine with regard to various aspects, such as noise level and safety risks. In addition, the user should comply with the user instructions of the vehicle and spare parts that are used.

All information and technical specifications provided at the moment that this document is published are the most recent ones. Design specifications may be changed without prior notice.

You can contact your sales point or dealer if you have questions and/or if there are ambiguities in this manual or about the machine concerned.

## WARRANTY CONDITIONS

AT THE TIME OF DELIVERY THIS MACHINE IS GUARANTEED AGAINST MATERIAL DEFECTS.

THIS WARRANTY IS VALID FOR A PERIOD OF 12 MONTHS FROM THE PURCHASE DATE.

REDEXIM WARRANTIES ARE SUBJECT TO THE 'GENERAL CONDITIONS FOR SUPPLY OF PLANT AND MACHINERY FOR EXPORT, NUMBER 188' THAT ARE PUBLISHED UNDER THE AUSPICES OF THE UNITED NATIONS ECONOMIC COMMISSION FOR EUROPE.

## REGISTRATION CARD

For your own information, fill in the table below:

Serial number of the machine	
Dealer name	
Date of purchase	
Remarks	

**TABLE OF CONTENTS**

<b>1.</b>	<b>SAFETY INSTRUCTIONS .....</b>	<b>5</b>
	1.1. Obligations of the user .....	5
	1.2. Maintenance, repairs and adjustments .....	6
	1.3. Using the machine .....	6
<b>2.</b>	<b>TECHNICAL DATA .....</b>	<b>7</b>
<b>3.</b>	<b>GENERAL DESCRIPTION .....</b>	<b>7</b>
<b>4.</b>	<b>SAFETY STICKERS .....</b>	<b>8</b>
<b>5.</b>	<b>FIRST INSTALLATION .....</b>	<b>9</b>
<b>6.</b>	<b>ATTACHING AND DETACHING THE MACHINE .....</b>	<b>10</b>
	6.1. Attaching the machine.....	10
	6.2. Detaching the machine .....	11
<b>7.</b>	<b>ADJUSTING THE WORKING DEPTH .....</b>	<b>11</b>
<b>8.</b>	<b>TRANSPORT.....</b>	<b>12</b>
<b>9.</b>	<b>PUTTING THE MACHINE INTO OPERATION.....</b>	<b>12</b>
	9.1. Safety .....	12
	9.2. Working speed .....	12
<b>10.</b>	<b>OPTIONS.....</b>	<b>13</b>
	10.1. Brush.....	13
	10.2. Magnetic beam.....	13
	10.3. Towing hook.....	14
<b>11.</b>	<b>MAINTENANCE .....</b>	<b>15</b>
	11.1. Maintenance schedule .....	15
<b>12.</b>	<b>TROUBLE SHOOTING (PROBLEM ANALYSIS) .....</b>	<b>15</b>



## 1. SAFETY INSTRUCTIONS

This machine is designed for safe use. This can only be achieved if you completely follow the safety instructions described in this manual.

Read and understand the manual before you start using this machine.

If the machine is not used as described in this manual, this can result in injuries and/or damage to the machine.

This user manual lists instructions that are numbered in sequence. You should follow this sequence.

A  is an indication of a safety instruction. A  means a tip and/or note.

### 1.1. Obligations of the user

Treating fields/lawns is the only purpose of the machine. Any other use is improper. The manufacturer will not accept any liability for damage resulting from improper use. All risks occurring with this are entirely at the expense of the user.

All persons assigned to operate, maintain and repair the machine by the owner must completely read and understand the operation manual and in particular the chapter of Safety Instructions.

Modifications to the machine that have a negative impact on the safety must be rectified immediately.

The user is obliged to check the machine for visible damage and defects before using the machine.

For safety reasons it is not permitted to make changes or adjustments to the machine (except those approved by the manufacturer). If modifications to the machine have been made, then the current CE marking is cancelled. The person that has made these modifications has to apply for a new CE marking himself.

Following the use, maintenance and repair instructions prescribed by the manufacturer is also considered proper use of this machine.

The user is responsible for the safe combination of the machine and the towing vehicle, which comply with the requirements as described in the Technical Data (**see Chapter 2**). This entire combination should be tested for noise, safety, risk and user friendliness. User instructions should also be drafted.

Dress appropriately during work activities with the machine. Wear sturdy shoes with steel toecaps, long trousers and tie up long hair. Do not wear loose clothing.

The general applicable health & safety (Dutch: ARBO) regulations must also be followed in addition to the instructions in this user manual.

Relevant traffic regulations also apply in case of using public roads.

## **1.2. Maintenance, repairs and adjustments**

Keep a record of the repair activities.

When unskilled people use, maintain or repair the machine, this could result in injuries to the user and to third parties. This should be avoided!

Use only original Redexim parts for maintenance or repairs because of the safety of the machine and of the user.

Only authorised technical personnel may carry out repairs to the machine.

When carrying out maintenance, adjustments and repairs, it is necessary to block the machine in order to prevent it from sinking away, driving off and/or sliding off.

If a hydraulic installation is present, you should always make it pressure-free before working on this installation.

Used oil/grease is harmful to the environment. Dispose of these substances according to the regulations that apply in your location.

## **1.3. Using the machine**

Attach the machine to the towing vehicle according to the regulations. Please pay close attention to the risk of injury!

Never use the machine in the absence of protective guards and safety stickers.

Check the machine for loose bolts, nuts and components before every operation.

Check whether you have a clear field of vision – both close by and far away – before you start moving.

All persons that are going to operate the machine must be familiar with all the functions and control elements of the machine before starting any work activities.

Never crawl under the machine! If necessary, tip over the machine to work at the bottom side.

If present, check the hydraulic hoses regularly and replace these when the hydraulic hoses are damaged or appear old.

## 2. TECHNICAL DATA

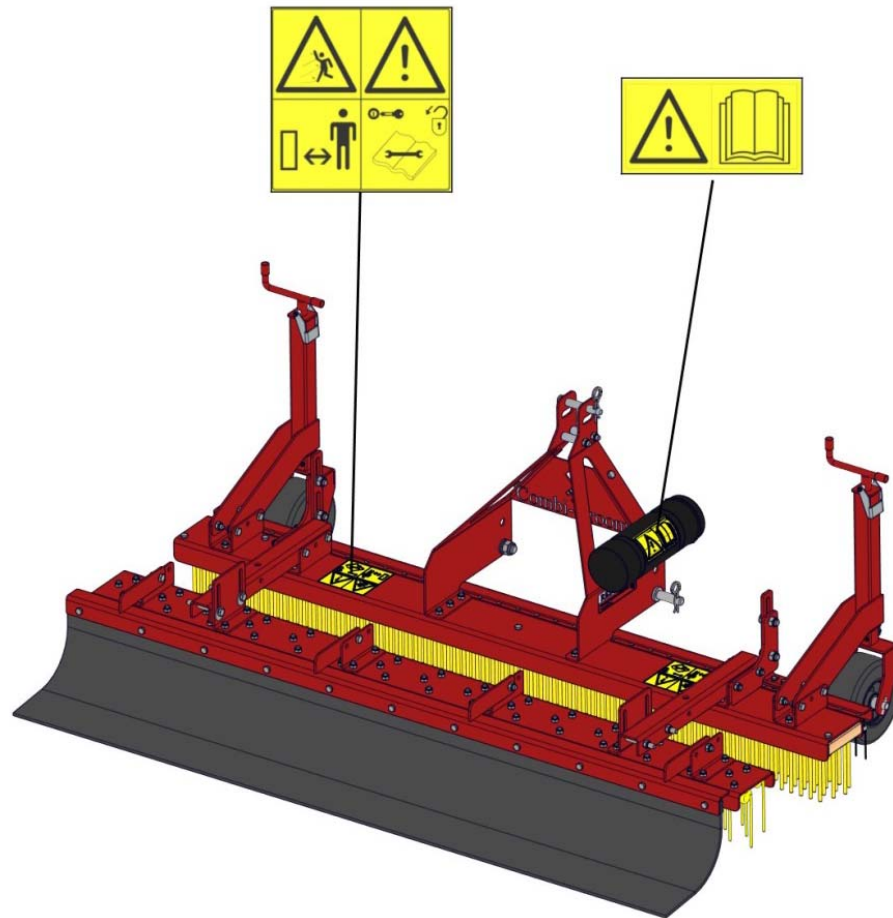
<b>Type</b>	<b>Combi-Groom</b>
Recommended vehicle	18hp with a minimum lifting capacity of 220 kg (485 lbs) measured 610 mm behind the lifting eyes
Working width	2.038 m (80")
Working depth	0-35 mm (0"-1.38")
Speed	Maximum 12 km/h (7.5 mph)
Weight	195 kg (430 lbs)
Dimensions (L x W x H)	2.01 x 1.3 x 0.9 m (80"x51"x35")
Three-point system	Cat. 1



## 3. GENERAL DESCRIPTION

The Combi-Groom is a raking / brushing machine for treating artificial and natural grass.

#### 4. SAFETY STICKERS

Safety stickers are located on both sides of the machine. These safety stickers must always be clearly visible and legible and must be replaced if they have become damaged.



 <p><b>933.280.402</b></p>	<ul style="list-style-type: none"> <li>- In case of maintenance, adjustments and repair, always switch OFF the engine of the towing vehicle.</li> <li>- Keep a distance of minimum 4 metres if the machine is operating (except the operator).</li> </ul>
 <p><b>900.280.402</b></p>	<ul style="list-style-type: none"> <li>- Prior to using the machine, the operators of the machine must read the user manual carefully.</li> </ul>



## 5. FIRST INSTALLATION

The machine is placed vertically on the pallet. To remove the pallet and to place the machine horizontally on the ground, take the following steps (see **Figure 1**):



**Make sure that the cable/crane/lift can hoist minimum 300 kg (662 lbs).**

1. Attach a cable to the lifting eye (**1**).
2. Lift the machine (including the pallet) approx. 50 mm (2") off the ground.
3. Loosen the pallet by removing the 3-point pins (**2**).
4. Pull the pallet from under the machine.
5. Slowly rotate the machine until it is horizontal.
6. Carefully lower the machine until it stands safely on the ground.



**!! KEEP A SAFE DISTANCE. THE MACHINE MAY START TO SLIDE DURING HOISTING !!**



**!! NEVER CRAWL UNDER THE MACHINE !!**

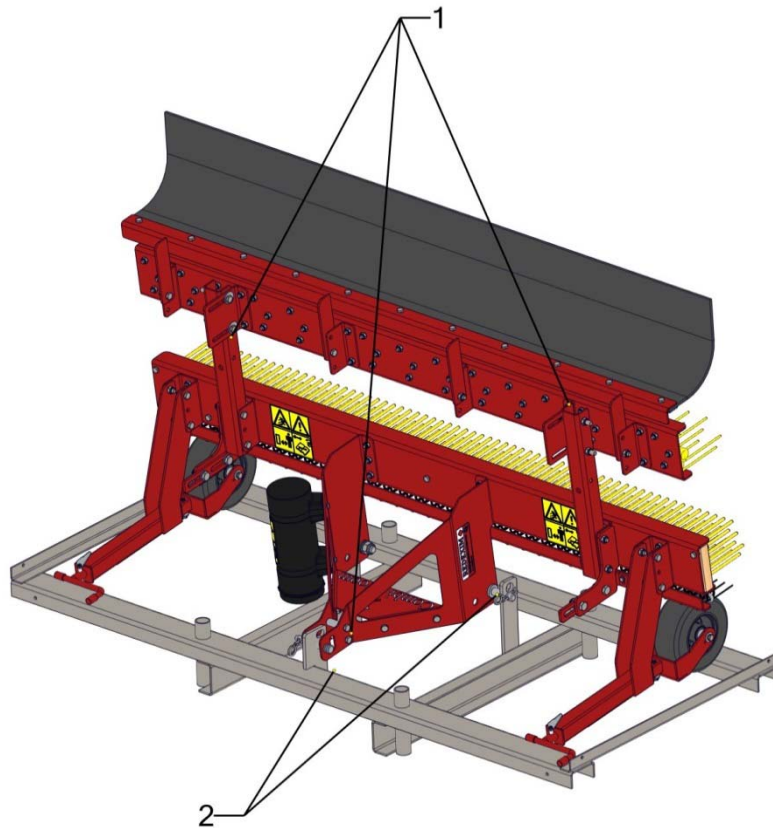


Figure 1

## 6. ATTACHING AND DETACHING THE MACHINE

Attaching and detaching the machine has to be done carefully. Follow the instructions below:

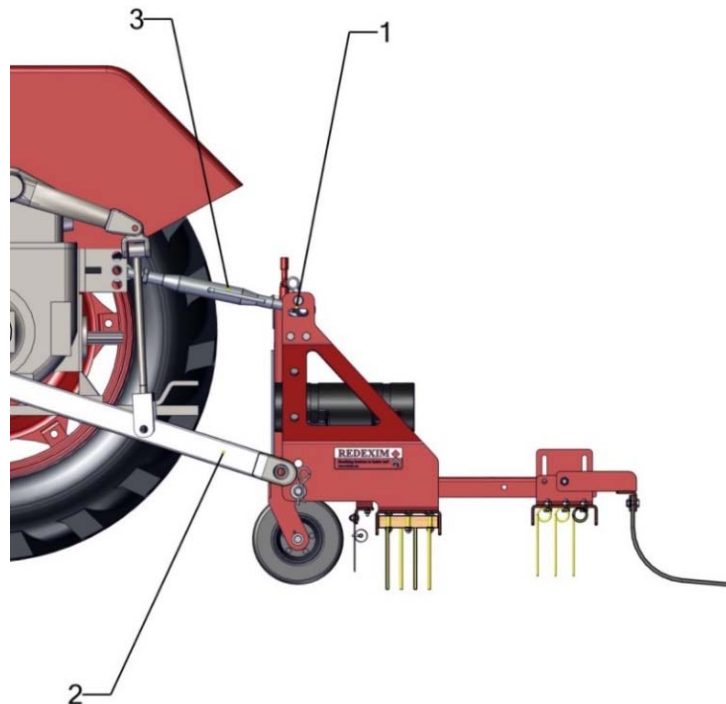


Figure 2

### 6.1. Attaching the machine

Prior to attaching the machine, check the following the points:

- Check whether the machine is undamaged and whether it is safe to attach and use the machine.
- Check whether the bolts and nuts are tightened with the correct torque.
- Check whether all safety stickers are on the machine and whether these are undamaged and easily readable. Never use the machine if it has damaged or unreadable stickers.

The machine should be attached to the tractor in the following manner:

1. Remove the 3-point pins **(1)** from the machine **(see Figure 2)**.
2. Carefully drive the tractor backwards until the lifting arms **(2)** can be attached to the machine.



**!! Make sure that the tractor and the machine cannot move while you are attaching them !!**



**!! Switch off the tractor engine before attaching the machine !!**

3. Attach the lifting arms **(2)** to the machine using the 3-point pins. Lock the pins using the r-clips.
4. Set the stabilizer to a sideways stroke of 100 mm.
5. Mount the top rod **(3)** onto the tractor and attach it to the machine.
6. Adjust the top rod in such a manner that the machine is horizontal.



**!! Make sure that the 3-point pins are locked using the r-clips !!**

7. Start the tractor and lift the machine off the ground.

## 6.2. Detaching the machine

The machine should be detached in the following manner (see Figure 2):

1. Place the tractor and the machine on a flat surface.



**!! Make sure that the tractor and the machine cannot move while you are detaching them !!**



**!! Switch off the tractor engine before detaching the machine !!**

2. Carefully place the machine on the ground.
3. Loosen the top rod (3) and remove it.
4. Loosen the lowest arms (2).
5. Start the tractor and drive off.

## 7. ADJUSTING THE WORKING DEPTH

The working depth can be adjusted by setting the running wheels. The front side of the machine will become higher or lower by turning the spindles (1) (see Figure 3).

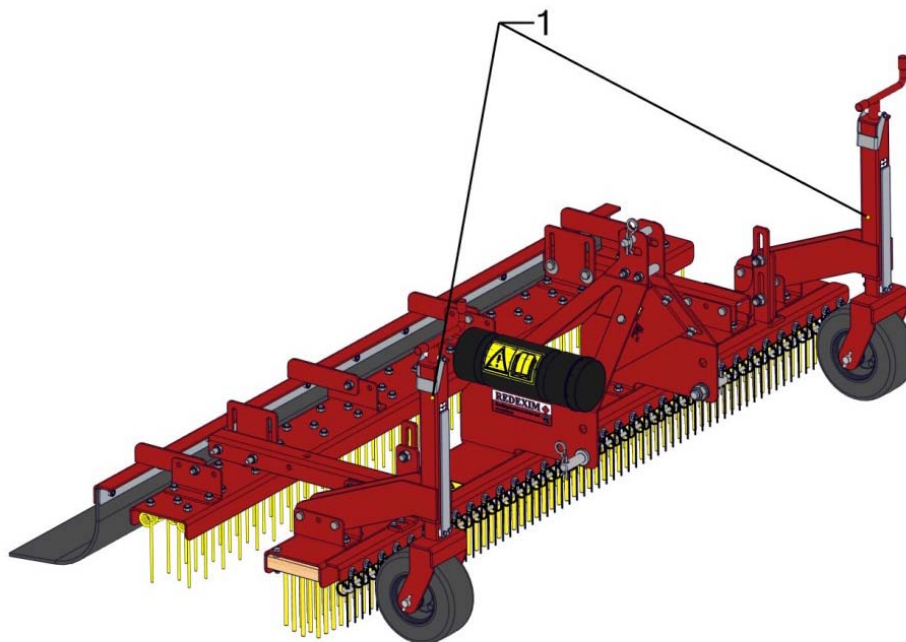


Figure 3

Set both sides of the machine at the same height so that it is possible to clean the field evenly. For this purpose, use the rulers at both sides of the machine.

**NEVER** adjust the machine in such a way that it could damage the subsoil.



**! IMPORTANT ! First check the working depth on the subsoil statically before using the machine!**

## **8. TRANSPORT**

The user is responsible for transporting the machine on public roads. Verify the national legislation regarding the regulations. In view of the machine's weight, it is not advised to drive faster than 20 km/h (12.4 mph) with a raised machine. Higher speeds can lead to hazardous situations and result in damage to the machine and tractor.

## **9. PUTTING THE MACHINE INTO OPERATION**

### **9.1. Safety**

Before using the machine, you should check the following:

1. Are there slopes? The maximum slope is 20 degrees for this machine. Always go from top to bottom.
2. Are there hard objects in the ground? If so, use the machine at adjusted speed.
3. Is there danger of flying objects (e.g., golf balls) that distract the attention of the driver? If so, the machine **cannot** be used.
4. Is there danger of sinking/sliding away? If so, postpone the treatment.
5. If the soil is frozen or very wet, postpone the activities until conditions improve.
6. Do NOT make sharp curves when the machine touches the ground.

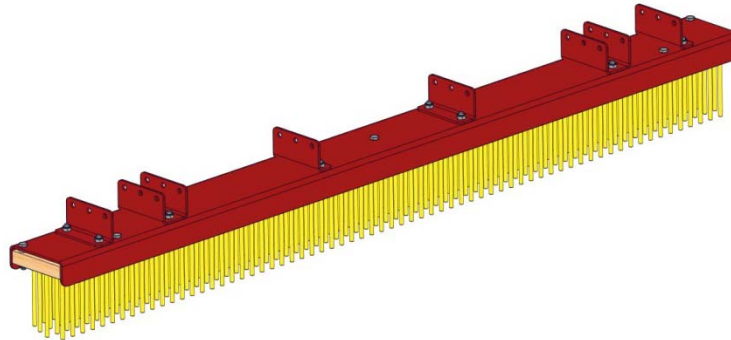
### **9.2. Working speed**

The maximum safe working speed of the machine is approx. 12 km/h (7.5 mph). However, the user should check which speed is optimal to achieve the required result per individual situation and soil treatment.

## **10. OPTIONS**

### **10.1. Brush**

If the pin section is too aggressive for treating the soil, it can be replaced by a brush. You can order this option under number 262.120.006. See the parts book for mounting this option onto the Combi-Groom.



**Figure 4**

### **10.2. Magnetic beam**

A magnetic beam is available in order to remove steel particles (such as nails, screws and shoe studs) from the ground. This magnetic beam can be continuously variable adjusted in height. You can order this option under number 262.120.000. See the parts book for mounting this option onto the Combi-Groom.



**Figure 5**

### 10.3. Towing hook

If the towing vehicle is not fitted with a three-point system to lift the Combi-Groom, the Combi-Groom can be equipped with a towing hook.

You can order this option under number 262.120.002.



Figure 6

## 11. MAINTENANCE

### 11.1. Maintenance schedule

Time schedule	Check point	Work activities
Before <u>every</u> use	Loose parts, bolts and nuts	Tighten loose bolts / nuts with the correct tightening moment.
	Safety stickers	Presence and readability of the safety stickers Replace these if not present or damaged.
	Tyre pressure	Check whether the tyres are under pressure (2 bar).
	Brush	Check whether the brush is undamaged or worn out evenly over its entire length.
	Rake	Check whether the rake's teeth are undamaged or worn out evenly over its entire length, and whether these are still present.
After <u>every</u> use	Cleaning	Clean the machine using water. If you clean with high pressure, you should avoid the lubricated components.

## 12. TROUBLE SHOOTING (PROBLEM ANALYSIS)

Problem	Possible cause	Solution
Swept too little material.	Working depth is adjusted too shallow	Adjust the machine to more depth.
	Subsoil is too hard	Drive along a few more steps while adjusting to more depth every time.
Sloppy image of the field after processing	Machine is adjusted too deep.	Adjust the machine to less depth.
	Drag brush does not drag over the subsoil.	Adjust the machine to more depth. Change the length of the top rod.
	Drag brush is damaged.	Replace or repair the drag brush.